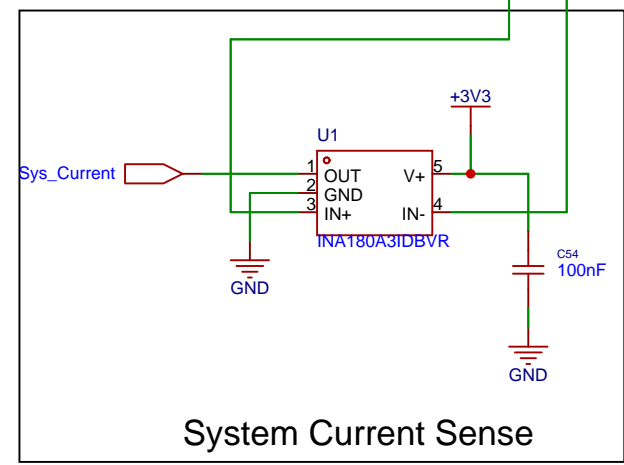
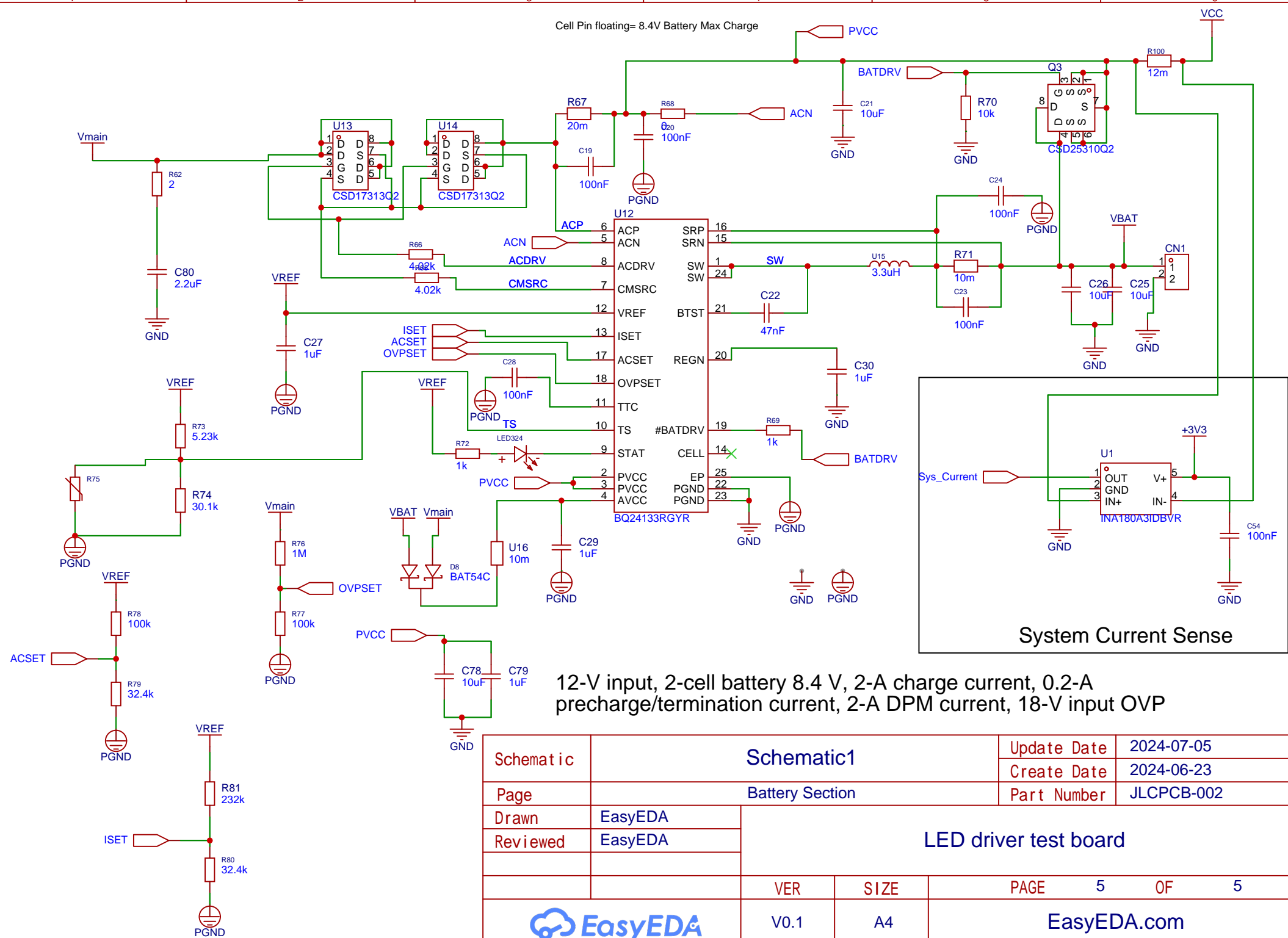


Cell Pin floating= 8.4V Battery Max Charge



12-V input, 2-cell battery 8.4 V, 2-A charge current, 0.2-A precharge/termination current, 2-A DPM current, 18-V input OVP

|           |                 |                       |      |             |            |
|-----------|-----------------|-----------------------|------|-------------|------------|
| Schematic | Schematic1      |                       |      | Update Date | 2024-07-05 |
| Page      | Battery Section |                       |      | Create Date | 2024-06-23 |
| Drawn     | EasyEDA         | LED driver test board |      |             |            |
| Reviewed  | EasyEDA         |                       |      |             |            |
|           |                 | VER                   | SIZE | PAGE        | 5 OF 5     |
|           |                 | V0.1                  | A4   | EasyEDA.com |            |

