



# SGM3752

## 38V High Efficiency, Boost White LED Driver with PWM Dimming Control

---

### GENERAL DESCRIPTION

The SGM3752 is an asynchronous Boost WLED driver with high efficiency, low EMI and high output voltage. The Boost converter integrates a 40V, 1.5A internal FET which operates at 1.2MHz switching frequency. Its strong driving ability can drive single or multiple parallel LED strings, which can be used as LED driver for smart phone and tablet backlight.

The default LED current can be programmed by the external current-sense resistor  $R_{SET}$ . By varying the duty cycle of the PWM signal applied to the CTRL pin, the internal reference voltage is adjusted, which ultimately adjusts the LED sink current. With full PWM duty cycle, the internal reference voltage  $V_{REF}$  is 200mV (TYP). The SGM3752 is essentially a driver that adopts analog dimming control, and it will not produce audible noise on the output capacitor. The SGM3752 integrates ringing cancellation, and it can effectively reduce EMI noise in DCM mode. The SGM3752 provides excellent line regulation and load regulation, as well as excellent load transient response. The SGM3752 also features various protection functions such as open LED protection, OCP protection and thermal shutdown protection.

The SGM3752 is available in a Green TSOT-23-6 package. It operates over an ambient temperature range of -40°C to +85°C.

### FEATURES

- **Input Voltage Range: 2.7V to 5.5V**
- **1:250 Stable Luminance Dimming**
- **Low EMI by Conducting Ringing Cancelling**
- **Improved PSRR for Waveless Lighting**
- **Up to 90% Efficiency**
- **Switching Frequency: 1.2MHz**
- **Integrated 40V/1.5A Switch**
- **Feedback Voltage: 200mV**
- **PWM Dimming Control**
- **38V Open LED Protection for 10 LEDs in Series**
- **Automatic Soft-Start for Reduced Inrush Current**
- **Under-Voltage Lockout Protection**
- **Thermal Shutdown**
- **-40°C to +85°C Operating Temperature Range**
- **Available in a Green TSOT-23-6 Package**

### APPLICATIONS

Portable Devices Backlight

Small and Medium Size White LCD Display Backlight

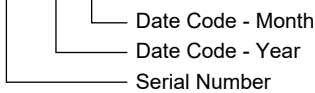
**PACKAGE/ORDERING INFORMATION**

MODEL	PACKAGE DESCRIPTION	SPECIFIED TEMPERATURE RANGE	ORDERING NUMBER	PACKAGE MARKING	PACKING OPTION
SGM3752	TSOT-23-6	-40°C to +85°C	SGM3752YTN6G/TR	G7CXX	Tape and Reel, 3000

**MARKING INFORMATION**

NOTE: XX = Date Code.

**YYY X X**



Green (RoHS & HSF): SG Micro Corp defines "Green" to mean Pb-Free (RoHS compatible) and free of halogen substances. If you have additional comments or questions, please contact your SGMICRO representative directly.

**ABSOLUTE MAXIMUM RATINGS**

- Voltage on VIN, CTRL, FB..... -0.3V to 6V
- Voltage on SW ..... -0.3V to 40V
- Package Thermal Resistance
- TSOT-23-6,  $\theta_{JA}$  ..... 190°C/W
- Junction Temperature.....+150°C
- Storage Temperature Range .....-65°C to +150°C
- Lead Temperature (Soldering, 10s).....+260°C
- ESD Susceptibility
- HBM.....2000V
- MM.....200V
- CDM ..... 1000V

**RECOMMENDED OPERATING CONDITIONS**

- Input Voltage Range .....2.7V to 5.5V
- Output Voltage Range .....  $V_{IN}$  to 38V
- Inductor..... 4.7 $\mu$ H to 10 $\mu$ H
- Input Capacitor ..... 1 $\mu$ F (MIN)
- Output Capacitor..... 1 $\mu$ F to 10 $\mu$ F
- Operating Temperature Range .....-40°C to +85°C

**OVERSTRESS CAUTION**

Stresses beyond those listed in Absolute Maximum Ratings may cause permanent damage to the device. Exposure to absolute maximum rating conditions for extended periods may affect reliability. Functional operation of the device at any conditions beyond those indicated in the Recommended Operating Conditions section is not implied.

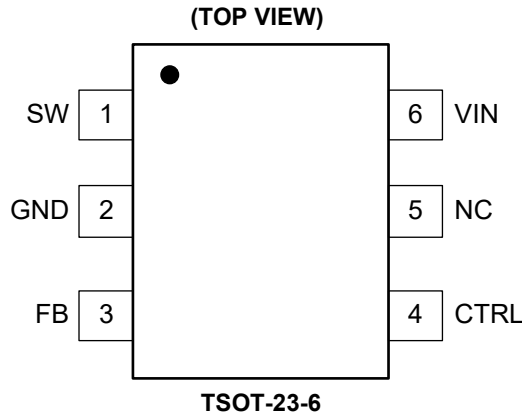
**ESD SENSITIVITY CAUTION**

This integrated circuit can be damaged if ESD protections are not considered carefully. SGMICRO recommends that all integrated circuits be handled with appropriate precautions. Failure to observe proper handling and installation procedures can cause damage. ESD damage can range from subtle performance degradation to complete device failure. Precision integrated circuits may be more susceptible to damage because even small parametric changes could cause the device not to meet the published specifications.

**DISCLAIMER**

SG Micro Corp reserves the right to make any change in circuit design, or specifications without prior notice.

PIN CONFIGURATION



PIN DESCRIPTION

PIN	NAME	I/O	FUNCTION
1	SW	I	The Switch Pin of the Device. It is connected to the drain of the internal N-channel power FET.
2	GND	O	Ground.
3	FB	I	Feedback Input for Current. Connect the sense resistor between FB and GND.
4	CTRL	I	PWM Dimming Input.
5	NC	-	No Connection.
6	VIN	I	Input Supply Pin.

NOTE: I: input, O: output.

TYPICAL APPLICATION

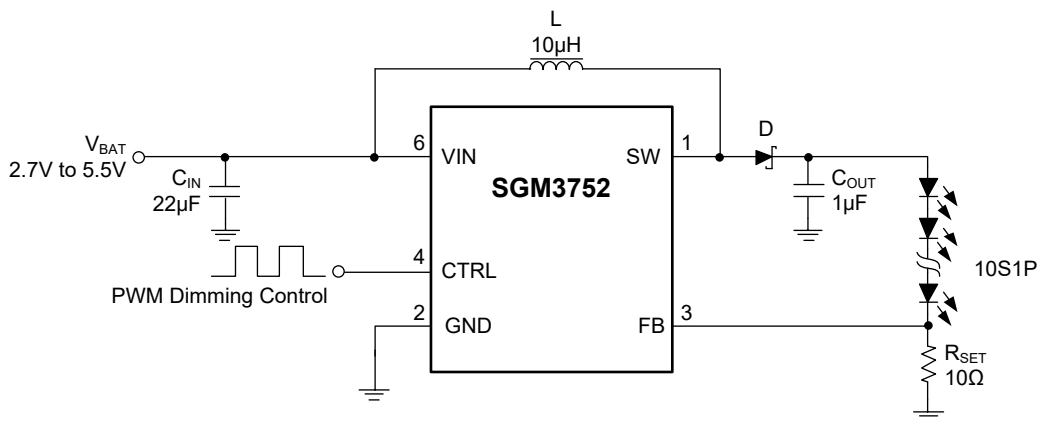


Figure 1. Typical Application

**ELECTRICAL CHARACTERISTICS**(V<sub>IN</sub> = 3.6V, CTRL = V<sub>IN</sub>, C<sub>IN</sub> = 22μF, Full = -40°C to +85°C, typical values are at T<sub>A</sub> = +25°C, unless otherwise noted.)

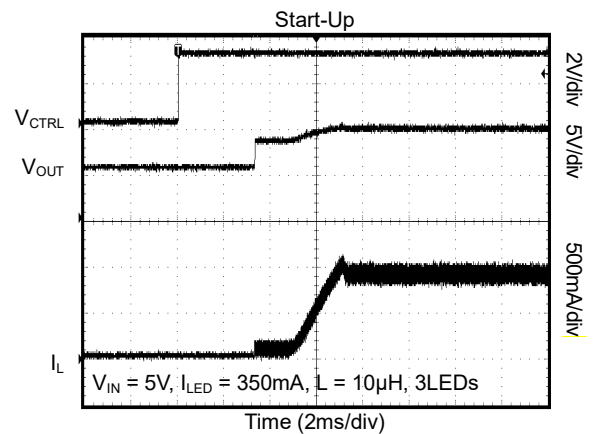
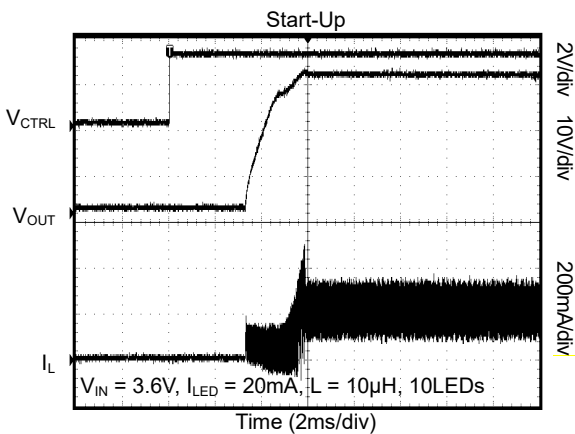
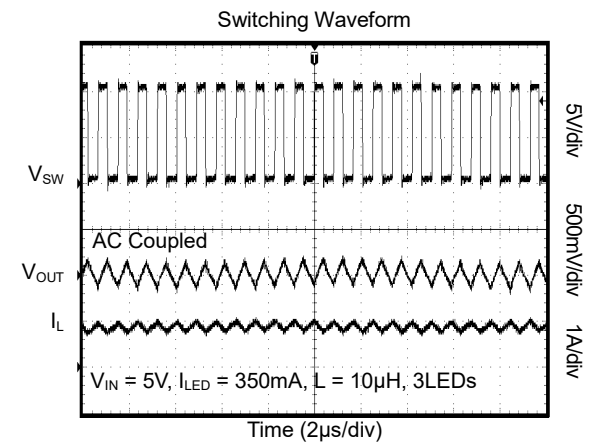
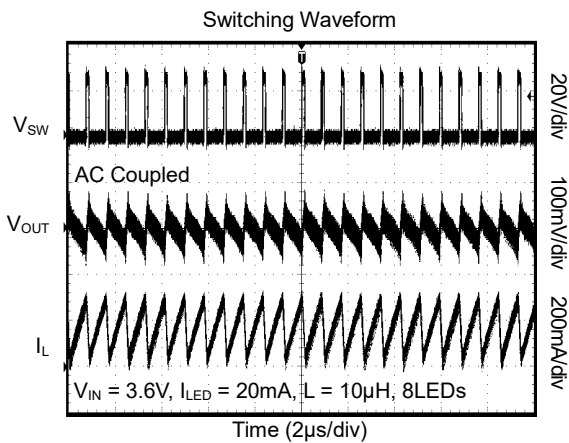
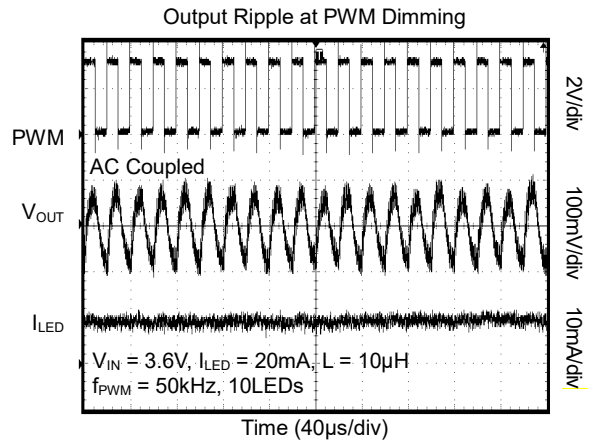
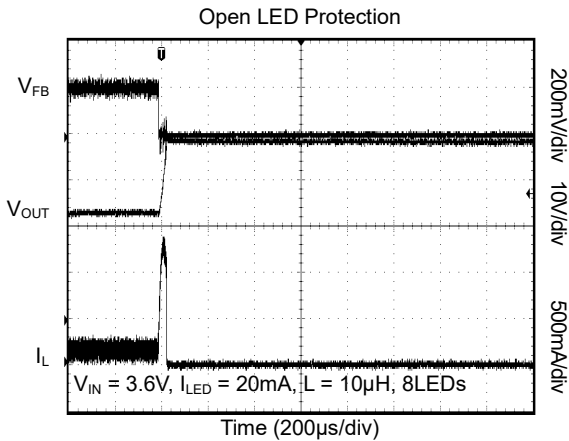
PARAMETER	SYMBOL	CONDITIONS	TEMP	MIN	TYP	MAX	UNIT
<b>Power Supply</b>							
Input Voltage Range	V <sub>IN</sub>		Full	2.7		5.5	V
Under-Voltage Lockout Threshold	UVLO	V <sub>IN</sub> falling	+25°C		2.2		V
		V <sub>IN</sub> rising	+25°C		2.3	2.5	
UVLO Hysteresis	V <sub>HYS</sub>		+25°C		100		mV
Operating Quiescent Current into V <sub>IN</sub>	I <sub>Q</sub>	V <sub>FB</sub> = 400mV, no switching	+25°C		0.2	0.35	mA
Shutdown Current	I <sub>SD</sub>	CTRL = GND	+25°C			1	μA
<b>Boost Converter</b>							
Voltage Feedback Regulation Voltage	V <sub>REF</sub>	PWM duty cycle 100%	+25°C	193.5	200	205.3	mV
		PWM duty cycle 10%	+25°C	18.5	20.3	22.5	mV
		PWM duty cycle 1%	+25°C	1.65	2.5	3.25	mV
		PWM duty cycle 0.2%	+25°C		0.92		mV
FB Pin Bias Current	I <sub>FB</sub>	V <sub>FB</sub> = 200mV	Full		0.001	0.3	μA
V <sub>REF</sub> Filter Time Constant	t <sub>REF</sub>		+25°C		0.1		ms
N-Channel MOSFET On-Resistance	R <sub>DS(ON)</sub>		+25°C		0.5	0.8	Ω
Switching Frequency	f <sub>SW</sub>		Full	0.9	1.2	1.45	MHz
Switching MOSFET Current Limit	I <sub>LIM</sub>		+25°C	1.15	1.5	1.85	A
Output Voltage Over-Voltage Threshold	V <sub>OVP_SW</sub>		Full	36	38	39.5	V
<b>Control</b>							
CTRL Logic High Voltage	V <sub>H</sub>		Full	1.5			V
CTRL Logic Low Voltage	V <sub>L</sub>		Full			0.4	V
CTRL Pin Internal Pull-Down Resistor	R <sub>PD</sub>		+25°C		600		kΩ
CTRL Logic Low Time to Shutdown	t <sub>SD</sub>	CTRL high to low	+25°C	2.5			ms
PWM Dimming Frequency Range	DFR		+25°C	10		100	kHz
Minimum PWM On-Time			+25°C	40			ns
Stable Dimming Range	DR		+25°C	0.2		100	%
<b>Thermal Shutdown</b>							
Thermal Shutdown Threshold	T <sub>SHUTDOWN</sub>				160		°C
Thermal Shutdown Hysteresis	T <sub>HYS</sub>				20		°C

RECOMMENDED COMPONENTS OF TEST CIRCUITS

COMPONENT		COMPONENT	
INDUCTOR	10μH/CD75NP-100KC	CAPACITOR	1μF/C2012X7R1H105KT
DIODE	MBR0540		22μF/C2012X7R1H226KT

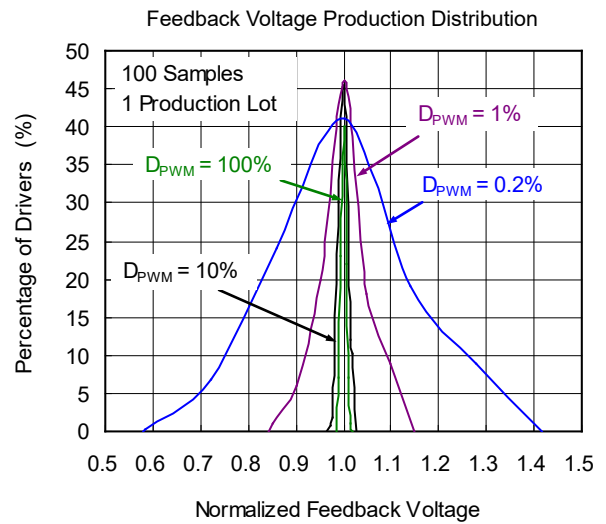
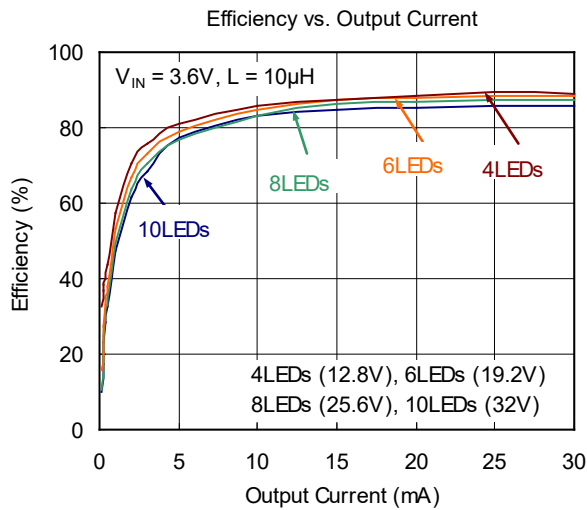
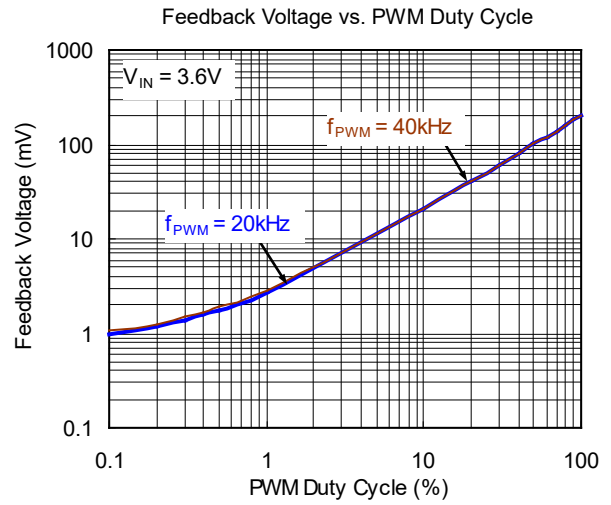
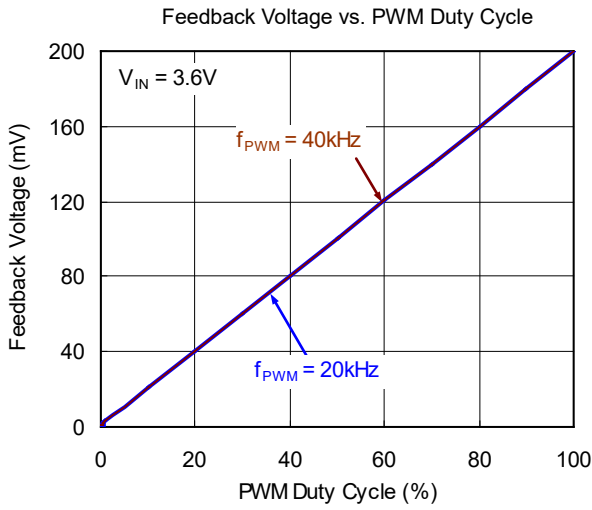
TYPICAL PERFORMANCE CHARACTERISTICS

T<sub>A</sub> = +25°C, L = 10μH, C<sub>IN</sub> = 22μF, C<sub>OUT</sub> = 1μF, unless otherwise noted.



TYPICAL PERFORMANCE CHARACTERISTICS (continued)

T<sub>A</sub> = +25°C, L = 10µH, C<sub>IN</sub> = 22µF, C<sub>OUT</sub> = 1µF, unless otherwise noted.



FUNCTIONAL BLOCK DIAGRAM

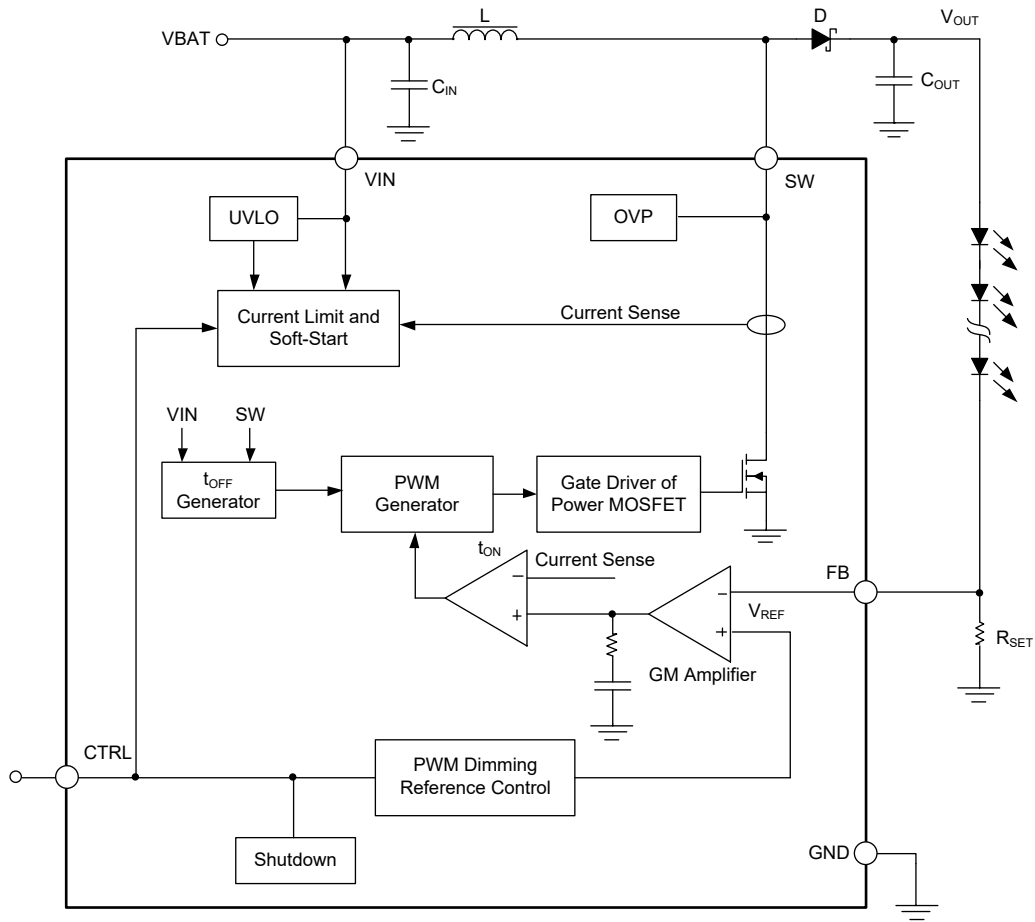


Figure 2. Functional Block Diagram

## DETAILED DESCRIPTION

The SGM3752 is an asynchronous Boost converter that operates at 1.2MHz switching frequency and integrates a power FET with peak current limit of 1.5A. The maximum output voltage can reach 38V. The device is capable of driving LEDs from 1 series to 10 series and the input voltage range is 2.7V to 5.5V. The strong driving capability of the device can drive single or multiple parallel LED strings, which can be used as LED driver for smart phone and tablet backlight.

The SGM3752 operates with peak current control, and the internal compensation circuit greatly reduces the complexity of the design. The loop design can be completed with only one external sampling resistor  $R_{SET}$ . Peak current mode controls the on time of the switching FET by comparing the error signal of the internal GM amplifier with the inductance current signal.

Through the duty cycle of the PWM signal added to the CTRL pin, the SGM3752 can set the reference voltage  $V_{REF}$ . When the duty cycle is 100%/10%/1%, the typical values of  $V_{REF}$  are 200mV/20.3mV/2.5mV respectively, and the supported PWM signal has a wide frequency range from 10kHz to 100kHz. It can realize linear dimming in the range of PWM duty cycle 0.2% to 100%.

The SGM3752 also has excellent line regulation and load regulation, as well as excellent load transient response performance. It also has complete protection functions, including open LED protection, OCP protection and thermal shutdown protection. At the same time, the output current can be programmed through the resistor  $R_{SET}$  connected to the FB pin.

### Soft Start-Up

SGM3752 integrates the soft start-up function to ensure that the output voltage of Boost converter rises slowly by limiting the output voltage of GM amplifier during start-up. This method effectively avoids the surge current. After the start-up is completed, the device switches to the internal reference voltage for closed-loop control.

### Open LED Protection

Open LED protection feature shuts off the IC in case of LED or  $R_{SET}$  disconnection, which prevents damage to the device. The SGM3752 monitors the voltage of SW pin in each switching cycle. When  $V_{SW}$  exceeds  $V_{OVP}$  threshold for 8 consecutive cycles, the device turns the switch FET off, and shuts down the IC. The device

remains in shutdown until the CTRL pin is toggled to logic high. This function can effectively prevent the device from being damaged when the output voltage exceeds  $V_{OVP}$  threshold.

### Shutdown

When the CTRL pin remains low voltage for more than 2.5ms, the SGM3752 enters shutdown mode. In shutdown mode, the internal switch FET stops switching, and the device maintains in a low loss condition. At the same time, the minimum forward voltage of the LED array should be kept higher than the maximum input voltage. Otherwise a DC current path is resulted from the inductor and Schottky diode to the LED array.

### Current Program

The FB pin voltage  $V_{FB}$  depends on the internal reference voltage  $V_{REF}$ . At full PWM duty cycle, the typical value of  $V_{REF}$  is 200mV. The external programming of LED current can be realized by using the current-sense resistor connected in series with the LED. The  $R_{SET}$  resistor value is given by Equation 1:

$$I_{LED} = \frac{V_{FB}}{R_{SET}} \quad (1)$$

where

$I_{LED}$  = sum of LED string(s) current

$V_{FB}$  = FB pin regulation voltage

$R_{SET}$  = current sense resistor.

The FB voltage accuracy and current sense resistor accuracy determines the output current accuracy.

### LED Brightness Dimming

The PWM signal applied to the CTRL pin controls the LED current. For PWM dimming signal, the device required PWM frequency range is 10kHz to 100kHz, which can obtain accurate reference voltage and small LED current ripple. The LED brightness dimming can be realized by changing PWM duty cycle. The relationship between duty cycle and FB regulation voltage is calculated by Equation 2:

$$V_{FB} = \text{Duty} \times 200\text{mV} + 0.75\text{mV} \quad (2)$$

where

Duty = duty cycle of the PWM signal

200mV = internal reference voltage

0.75mV = most appreciate maximum from production statistics



## DETAILED DESCRIPTION (continued)

The LED brightness is easily adjusted by controlling the duty cycle of the PWM signal applied to CTRL pin. The recommended minimum PWM duty cycle is 0.1% for no blind dimming.

As shown in Figure 3, the SGM3752 adjusts the 200mV reference voltage based on PWM duty cycle of the CTRL pin. The PWM reference voltage is then filtered by the internal RC filter. The RC filter output is then fed to the non-inverting input of the error amplifier. The advantage is that the value of the reference voltage  $V_{REF}$  only depends the duty cycle of the PWM signal and does not depend on the amplitude. Under this working principle, although the PWM signal is used for dimming, its essence is an analog dimming. The PWM signal is only used to modulate the reference voltage  $V_{REF}$ , which can avoid the occurrence of audible noise.

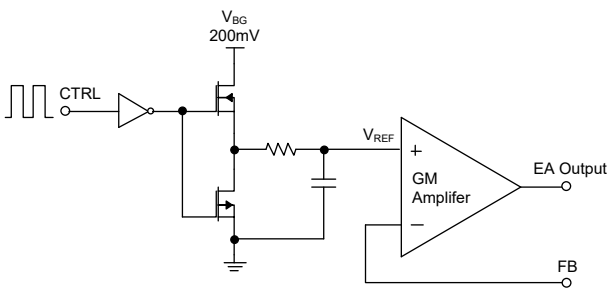


Figure 3. FB Voltage Adjustment via PWM Signal

However, it should be noted that since the reference voltage  $V_{REF}$  is obtained by the charge and discharge of the RC low-pass filter, the  $V_{REF}$  has a ripple voltage with the same frequency as the PWM signal, which will significantly increase the LED ripple current. With the increase of PWM signal frequency, the ripple voltage of  $V_{REF}$  decreases, and the LED ripple current decreases.

### Under-Voltage Lockout

Under-voltage lockout prevents the device from operating at input voltage below 2.2V (TYP). When  $V_{IN}$  falls below 2.2V, the device enters shutdown mode and the internal switch FET is turned off. If  $V_{IN}$  reaches 2.3V (TYP), the IC will resume operation.

### Thermal Shutdown

When the junction temperature of the IC exceeds 160°C (TYP), the internal thermal shutdown is triggered and the device enters the shutdown state. When the junction temperature is dropped by 20°C (TYP), the device will restart and resume operation.

### Operation with CTRL

The CTRL pin is an enable control pin with logic high voltage of 1.5V and logic low voltage of 0.4V. When the control voltage of CTRL pin is higher than 1.5V and the input voltage is higher than the UVLO threshold, the device starts up. When the control voltage of CTRL pin is lower than 0.4V, the device enters shutdown mode and the switch FET is turned off.

## APPLICATION INFORMATION

The SGM3752 is a 38V high-efficiency and low EMI Boost DC/DC converter, which supports dimming by changing the duty cycle of the PWM signal applied to CTRL pin. The stable dimming range is 0.2% to 100%. The device has excellent line regulation, load regulation and transient response performance. It can be widely used in various panel backlight lighting.

### Design Requirements

In this design example, Table 1 lists the operating conditions. The LED array adopts 10S1P, and the output current of each string of LED is 20mA.

**Table 1. Design Parameters**

DESIGN PARAMETER	EXAMPLE VALUE
Input Voltage Range	2.7V to 5.5V
Output, LED Number per String	10
Output, LED String Number	1
Output, LED Current per String	20mA

### Inductor Selection

Inductance is an important power device for Boost converter design. Selecting appropriate inductor parameters can ensure that the system has high efficiency and stable steady-state performance. At the same time, it will also affect the system transient response and loop stability. Inductor's DC resistance, saturation current and inductance are important specs for DC/DC design. Large inductance results in small ripple current, which is beneficial to smaller output ripple voltage and higher transmission efficiency. Use Equation 3 to calculate the average inductor current  $I_{L(DC)}$ :

$$I_{L(DC)} = \frac{V_{OUT} \times I_{OUT}}{V_{IN} \times \eta} \quad (3)$$

where

$V_{OUT}$  = Boost output voltage

$I_{OUT}$  = Boost output current

$V_{IN}$  = Boost input voltage

$\eta$  = power conversion efficiency.

Use the minimum input voltage, maximum output voltage, and maximum load current to calculate the worst-case average current. The selected inductor should provide a peak to peak ripple current  $\Delta I_{L(P-P)}$  to be 30% to 40% of inductor average DC current  $I_{L(DC)}$  calculated in Equation 3. Use Equation 4 to calculate the peak-to-peak inductor current.

$$\Delta I_{L(P-P)} = \frac{1}{L \times \left( \frac{1}{V_{OUT} - V_{IN}} + \frac{1}{V_{IN}} \right) \times f_s} \quad (4)$$

where

$\Delta I_{L(P-P)}$  = Inductor peak-to-peak ripple

L = Inductor value

$f_s$  = Boost switching frequency

$V_{OUT}$  = Boost output voltage

$V_{IN}$  = Boost input voltage

Use Equation 5 to calculate the peak inductor current.

$$I_{L(P)} = I_{L(DC)} + \frac{\Delta I_{L(P-P)}}{2} \quad (5)$$

The saturation current value of inductor will affect the operation of Boost converter. When the inductor current is close to or higher than the saturation current, the inductance will drop rapidly, which causes the peak inductor current to rise and reach the peak current limit of the IC. The selected inductor's saturation current should maintain a 20% margin, and a 4.7 $\mu$ H to 10 $\mu$ H inductor is recommended for SGM3752.

### Schottky Diode Selection

In order to ensure the best efficiency of SGM3752, the selected Schottky diode should have low forward voltage, fast reverse recovery speed, and low junction capacitance. At the same time, the average and peak current ratings of the selected diode should exceed the average output current and peak inductor current. It is recommended to have a 20% current margin. Additionally, the Schottky diode reverse breakdown voltage should be higher than the open LED protection voltage threshold to avoid damage. It is recommended to use ONSem NSR0240 for the SGM3752.

APPLICATION INFORMATION (continued)

Output Capacitor Selection

The output capacitance of SGM3752 is used to meet the loop stability and output ripple requirement. At the same time, it affects the loop bandwidth and the transient response performance. MLCC capacitor with low ESR is recommended as the output capacitor. For a given output voltage ripple requirement, the minimum output capacitance value can be calculated according to Equation 6:

$$C_{OUT} = \frac{(V_{OUT} - V_{IN}) \times I_{OUT}}{V_{OUT} \times f_S \times V_{RIPPLE}} \quad (6)$$

where

$V_{RIPPLE}$  = peak-to-peak output ripple.

A 1µF to 10µF MLCC capacitor is recommended for typical application. Since the reference voltage  $V_{REF}$  is obtained by filtering the pulse signal, the actual output ripple contains the pulsed ripple, which carries the same frequency as the PWM signal. The interference ripple can be effectively reduced by using 1µF MLCC capacitor. For higher total output current applications, it is recommended to use 2.2µF or larger MLCC output capacitor to minimize output ripple.

LED Current Set Resistor

Use Equation 1 to calculate the  $R_{SET}$  resistance. Multiple resistors can also be connected in parallel to obtain the required resistance value.

Thermal Considerations

Thermal dissipation of the IC should be considered to design the SGM3752. High IC junction temperature will trigger thermal shutdown. The heat loss is related to the system input and output. Lower input voltage and higher output current leads to more heat loss. The thermal dissipation can be reduced by reasonable layout. The allowable heat loss of device can be determined by Equation 7:

$$P_D = \frac{150^\circ\text{C} - T_A}{\theta_{JA}} \quad (7)$$

where

$T_A$  = the ambient temperature for the application.

$\theta_{JA}$  = the thermal resistance junction-to-ambient given under absolute maximum ratings section.

Power Supply Recommendations

The SGM3752 operates with an input voltage range of 2.7V to 5.5V. It is recommended to use 22µF MLCC capacitor as the input capacitor. If the SGM3752 is located far away from the input power supply, an additional high-capacity capacitor is recommended to damp the wiring inductance.

EMI Precaution and Ringing Cancellation

Careful layout, routing and selection of decoupling components are critical to suppress EMI related noise.

Ways of EMI suppression include propagation limit and reduction of energy swings, such as inserting ferrite bead in power supply trace, selecting high self-resonance frequency decoupling capacitors and SW node ringing cancellation. Figure 4 is a simplified circuit showing that ringing is caused by diode’s junction capacitance  $C_j$  and Boost inductor  $L$ , which injects current swings into power supply traces; the 2 voltage waveforms on the right illustrate the difference of circuit performance, with or without ringing cancellation.

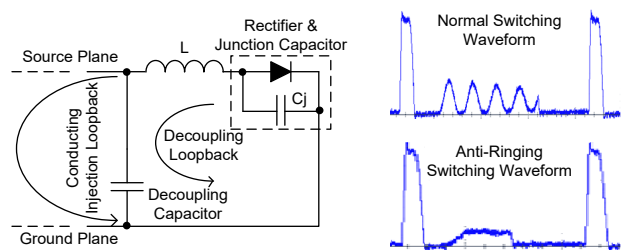


Figure 4. Ringing Cancellation Illustration

**APPLICATION INFORMATION (continued)**

**Layout Considerations**

Layout design is an important step in all switching power supplies design. Good layout plays a positive role in loop stability, signal integrity and low EMI. Since the switch FET of SGM3752 works at a typical switching frequency of 1.2MHz, its power circuit layout needs to be designed more carefully. The SW node contains high dV/dt and di/dt switching. The area of SW node should be as small as possible, and the input and output loop needs to maintain the minimum loop path, which can effectively suppress the generation of ringing. For the high current path, it should be as wide and short as possible. The input capacitance  $C_{IN}$  should be close

to VIN pin and GND pin to reduce the influence of parasitic parameters on the line. The inductor and the Schottky diode should be placed close to the SW pin to reduce the area of the SW node, which reduces EMI. The output capacitance  $C_{OUT}$  should be as close to  $V_{OUT}$  as possible, and the ground of  $C_{OUT}$  should be close to GND pin to reduce grounding return. FB resistors should be placed close to FB pin. For signal grounding, it is recommended to route the ground signal away from the power ground plane with small and short traces, and connect the signal ground with power ground via a single point close to the GND pin.

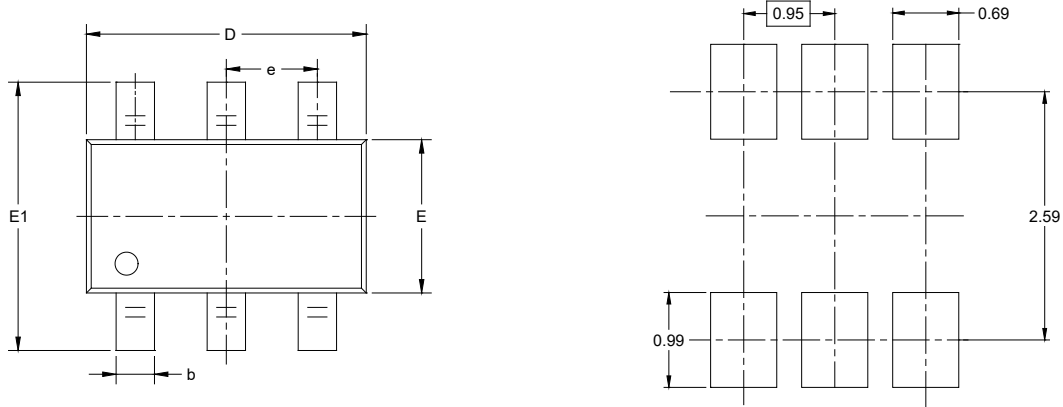
**REVISION HISTORY**

NOTE: Page numbers for previous revisions may differ from page numbers in the current version.

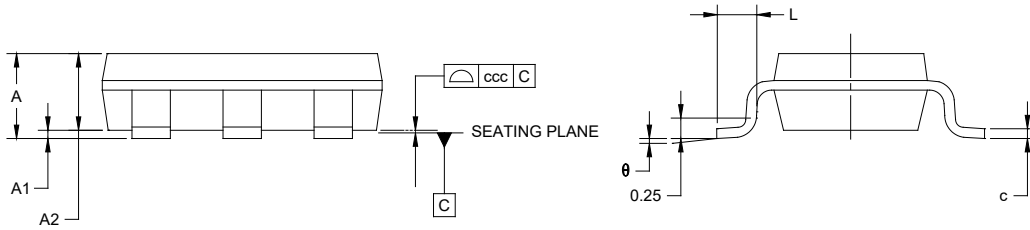
<b>AUGUST 2023 – REV.A.1 to REV.A.2</b>	<b>Page</b>
Updated Package Outline Dimensions section .....	13
<hr/>	
<b>SEPTEMBER 2022 – REV.A to REV.A.1</b>	<b>Page</b>
Updated Description section .....	All
<hr/>	
<b>Changes from Original (JULY 2016) to REV.A</b>	<b>Page</b>
Changed from product preview to production data .....	All

PACKAGE OUTLINE DIMENSIONS

TSOT-23-6



RECOMMENDED LAND PATTERN (Unit: mm)



Symbol	Dimensions In Millimeters		
	MIN	MOD	MAX
A	-	-	1.100
A1	0.000	-	0.100
A2	0.700	-	1.000
b	0.300	-	0.500
c	0.080	-	0.200
D	2.750	-	3.050
E	1.450	-	1.750
E1	2.600	-	3.000
e	0.950 BSC		
L	0.300	-	0.600
θ	0°	-	8°
ccc	0.100		

NOTES:

1. This drawing is subject to change without notice.
2. The dimensions do not include mold flashes, protrusions or gate burrs.
3. Reference JEDEC MO-193.

# PACKAGE INFORMATION

## TAPE AND REEL INFORMATION

### REEL DIMENSIONS



### TAPE DIMENSIONS



NOTE: The picture is only for reference. Please make the object as the standard.

### KEY PARAMETER LIST OF TAPE AND REEL

Package Type	Reel Diameter	Reel Width W1 (mm)	A0 (mm)	B0 (mm)	K0 (mm)	P0 (mm)	P1 (mm)	P2 (mm)	W (mm)	Pin1 Quadrant
TSOT-23-6	7"	9.5	3.20	3.10	1.10	4.0	4.0	2.0	8.0	Q3

000001

# PACKAGE INFORMATION

## CARTON BOX DIMENSIONS



NOTE: The picture is only for reference. Please make the object as the standard.

## KEY PARAMETER LIST OF CARTON BOX

Reel Type	Length (mm)	Width (mm)	Height (mm)	Pizza/Carton
7" (Option)	368	227	224	8
7"	442	410	224	18

DD0002