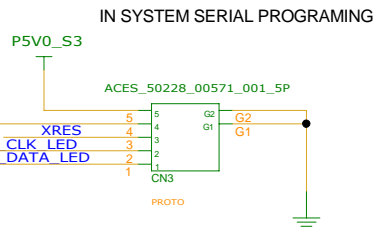
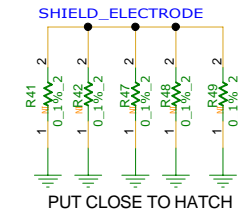
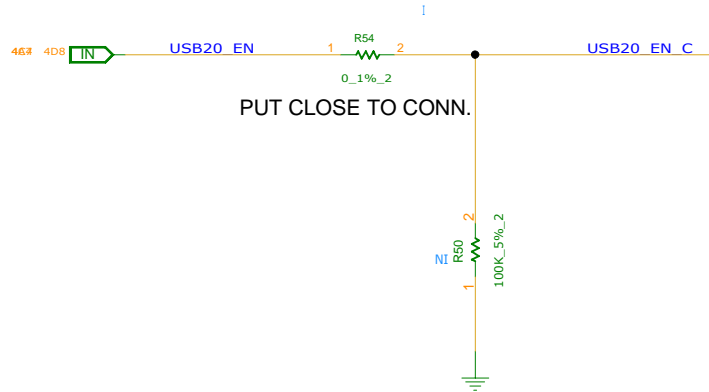
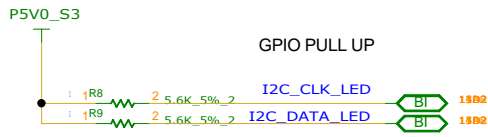
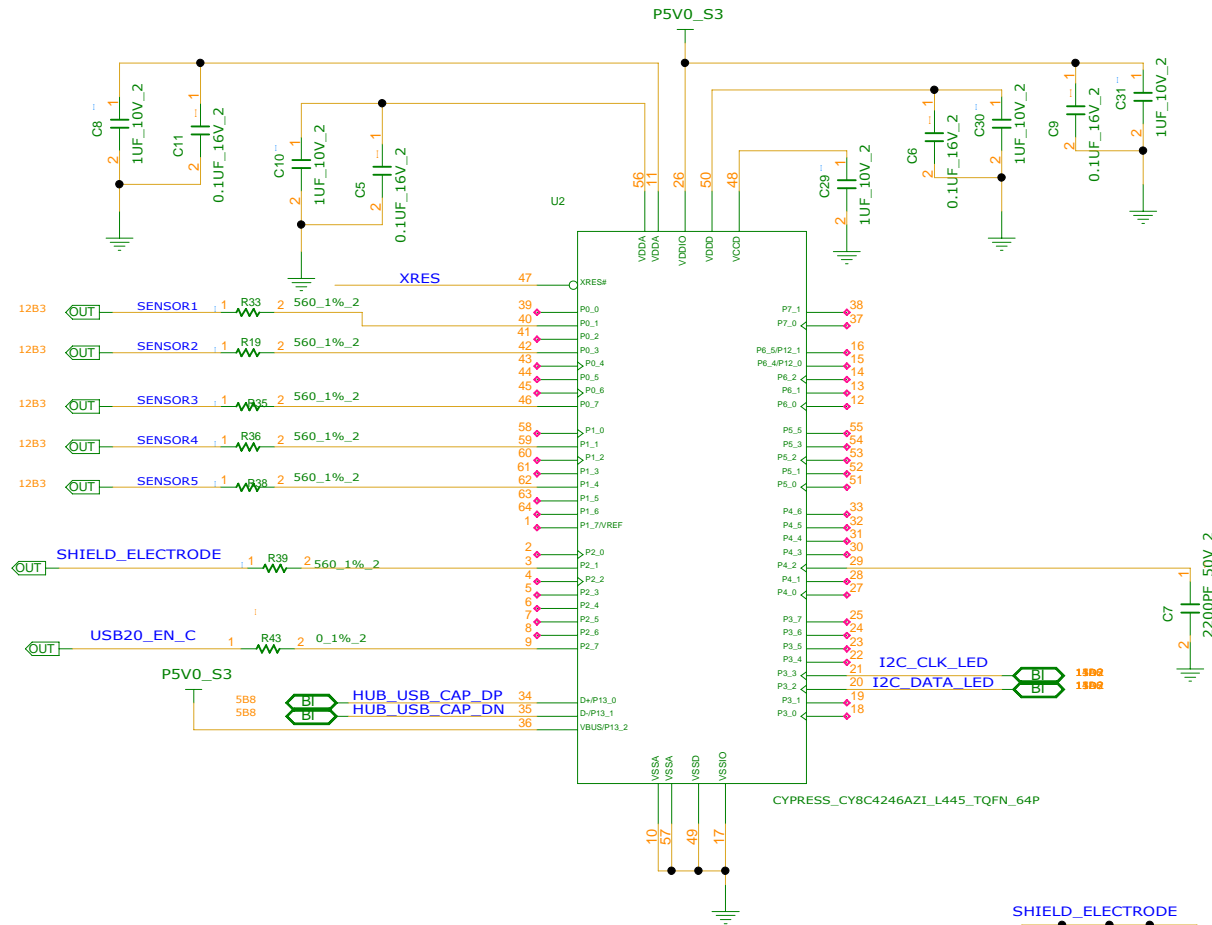


REFERENCE NUMBER:000 ~099

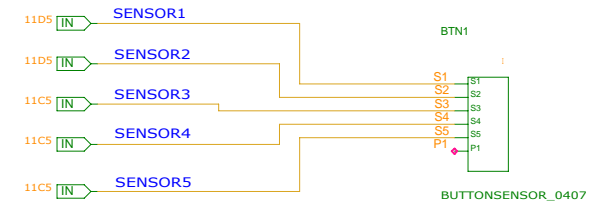
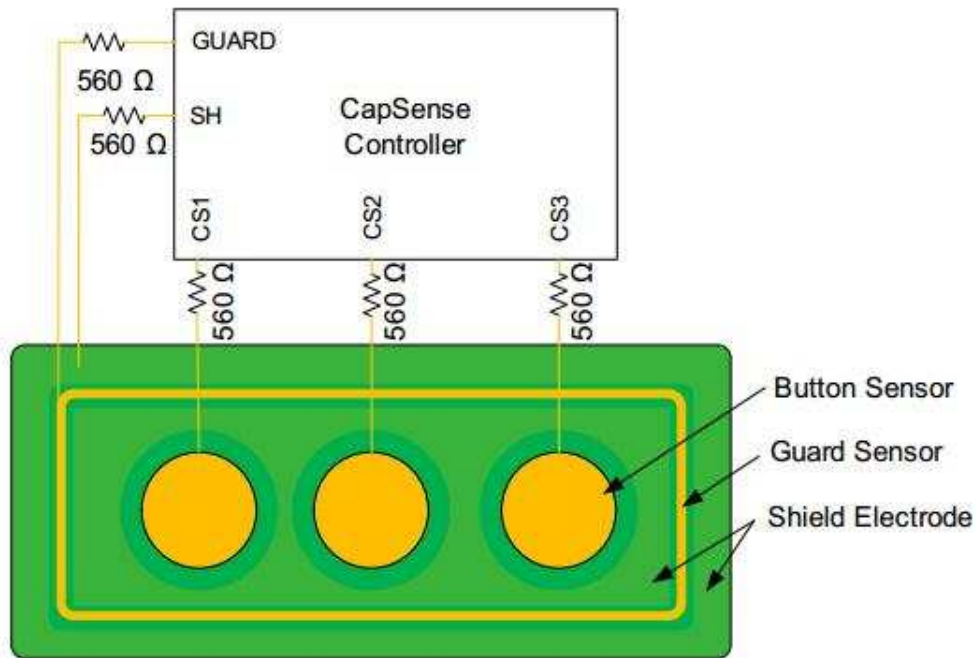
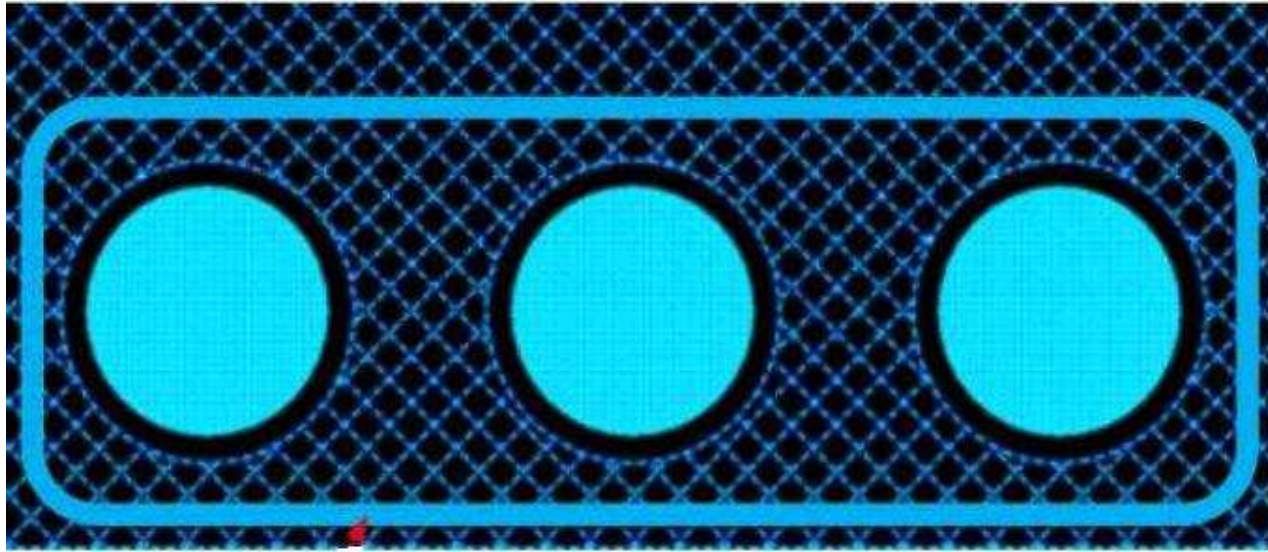


hp HP RESTRICTED (HP RESTRICTED SECRET)
 THIS DOCUMENT CONTAINS CONFIDENTIAL/PROPRIETARY INFORMATION THAT IS HP. DO NOT DISCLOSE TO OR DUPLICATE OTHERS EXCEPT AS AUTHORIZED BY HP.

DRAWN BY XXX
 TITLE MODEL PROJECT,FUNCTION TOUCH SENSOR CONTROLLER
 SIZE A3 DOC NUMBER 1310xxxxx-0-0 REV X01

CHANGE BY XXX	DATE 21-OCT-2002
PCB P/N 60xxxxxxxxxxx	PCB VER XXX

SHEET 11 of 15



hp HP RESTRICTED (HP RESTRICTED SECRET)
 THIS DOCUMENT CONTAINS CONFIDENTIAL/PROPRIETARY INFORMATION
 THAT IS HP. DO NOT DISCLOSE TO OR DUPLICATE
 OTHERS EXCEPT AS AUTHORIZED BY HP.

DRAWN BY XXX

TITLE
 MODEL PROJECT,FUNCTION
 BUTTON

SIZE A3
 DOC NUMBER 1310xxxx-0-0

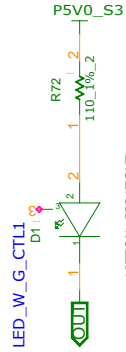
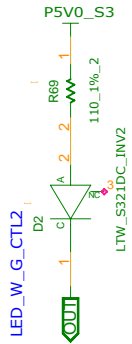
REV X01

CHANGE by	XXX	DATE	21-OCT-2002
PCB P/N	60xxxxxxxxxxx	PCB VER	XXX

SHEET 12 of 15

D2: WHITE/D1: GREEN LED

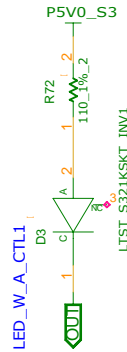
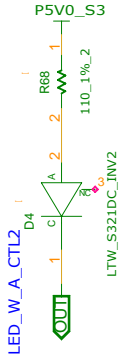
D1,D2: CALL
MAP TO SENSE1



6011B0252501

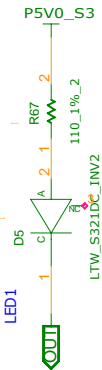
D4: WHITE/D3: AMB LED

D3,D4 : MIC MUTE
MAP TO SENSE2



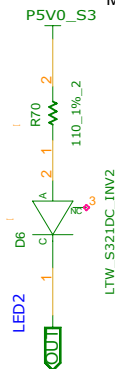
D5: WHITE LED

D5: VOLUM UP
MAP TO SENSE3



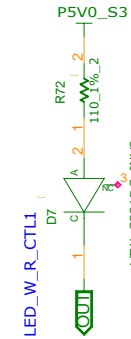
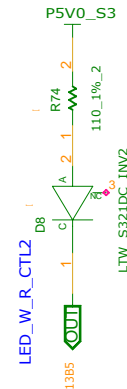
D6: WHITE LED

D6: VOLUM DOWN
MAP TO SENSE4



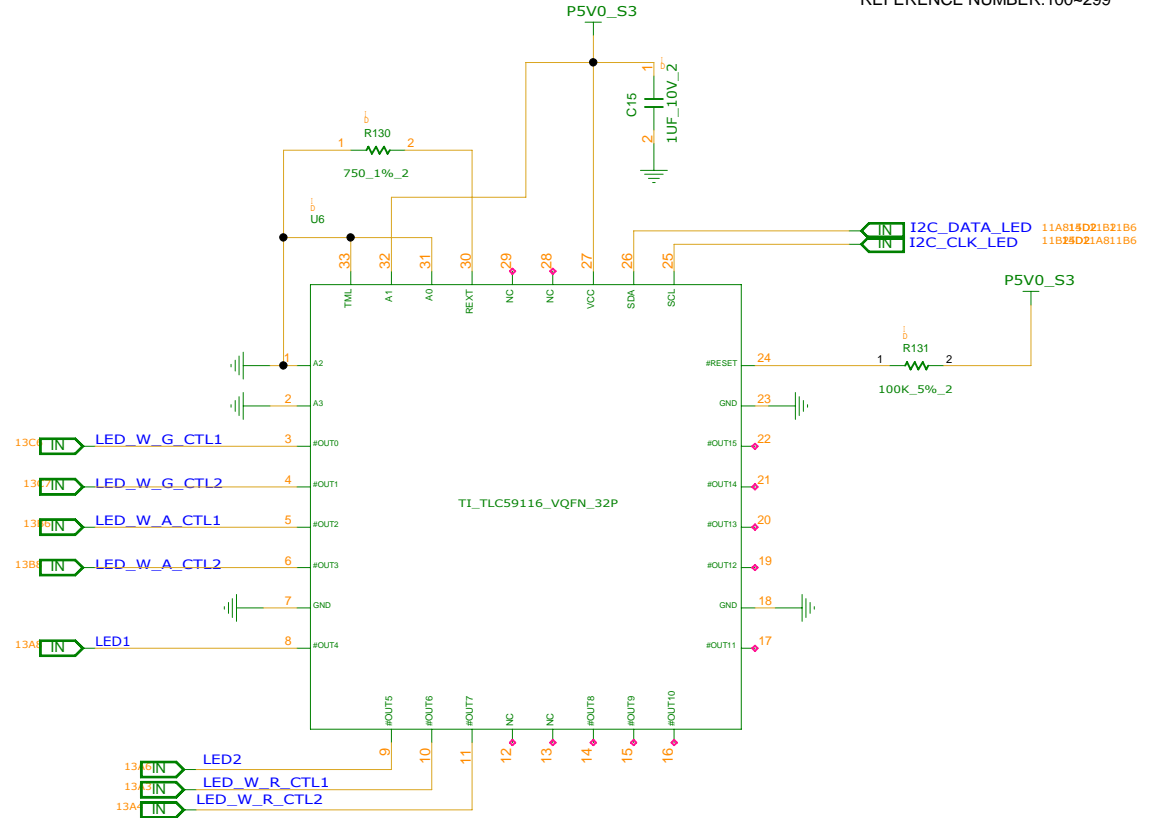
D8: WHITE/D7: RED LED D7,D8: ON_HOOK

MAP TO SENSE5



6011B0252401

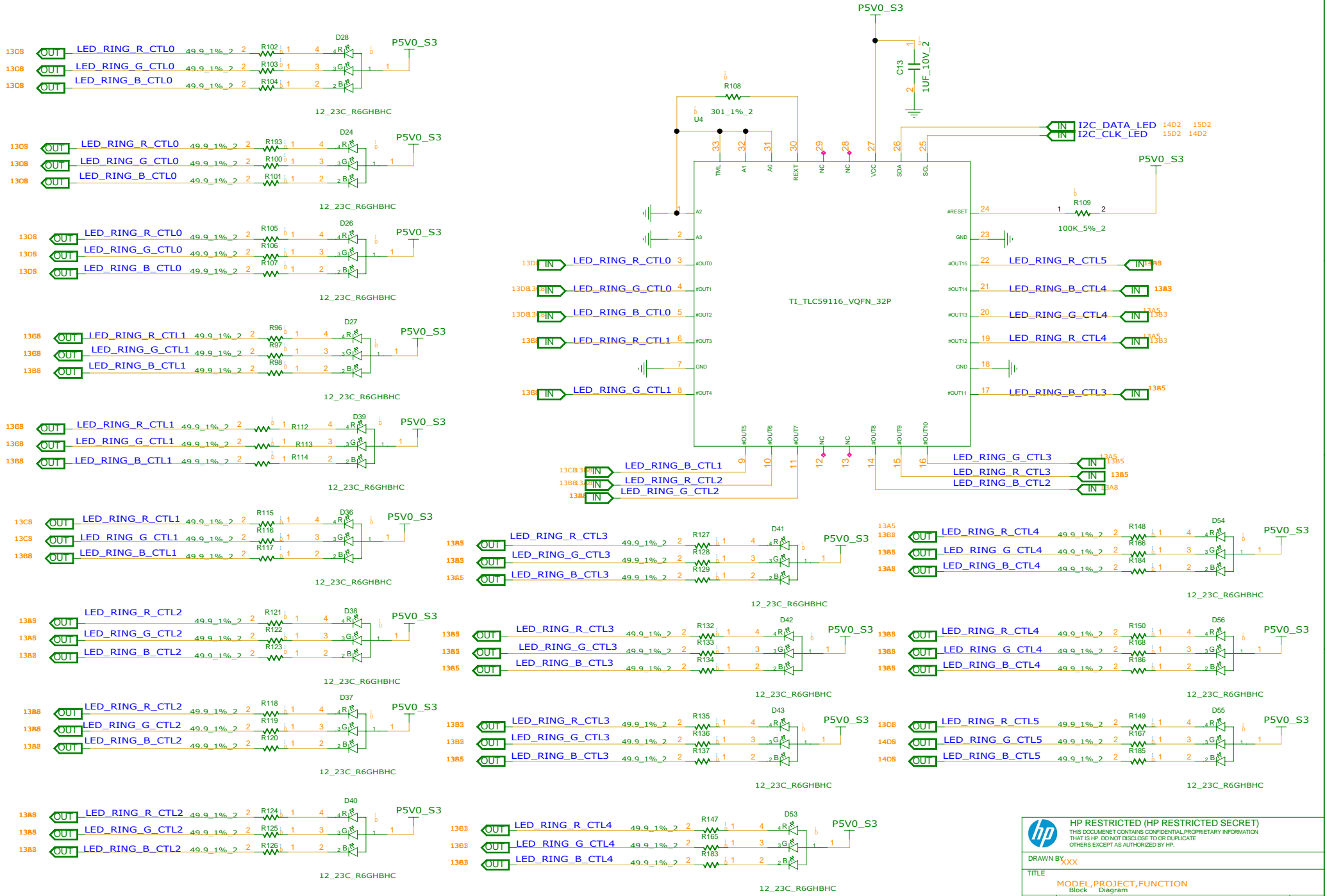
REFERENCE NUMBER:100-299



INVENTEC

TITLE			
MODEL,PROJECT,FUNCTION			
Block Diagram			
SIZE	CODE	DC NUMBER	REV
A3	CS	1310xxxxx-0-0	X01
SHEET		13 of 15	

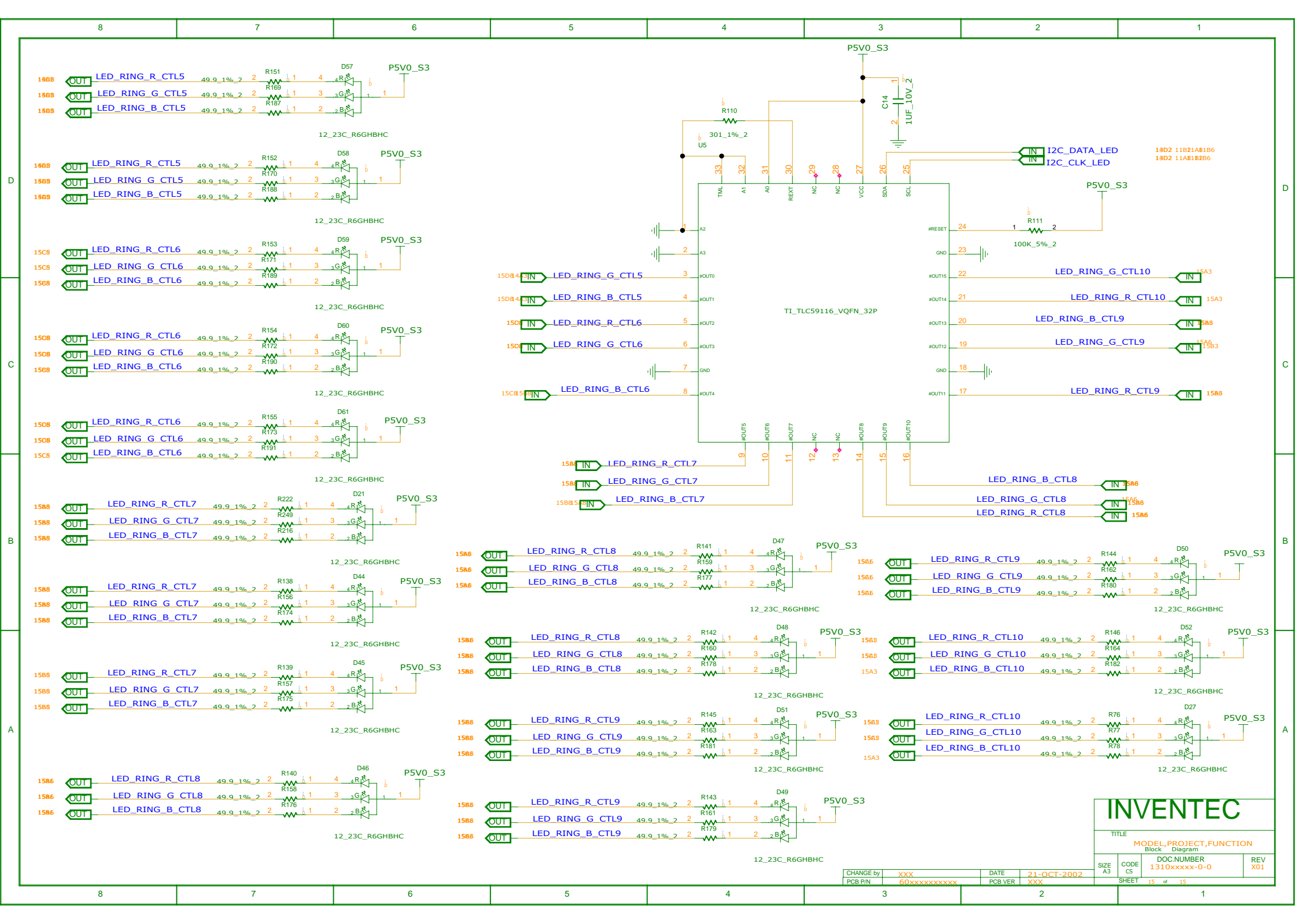
CHANGE by	XXX	DATE	21-OCT-2002
PCB P/N	60xxxxxxxxxxx	PCB VER	XXX



HP RESTRICTED (HP RESTRICTED SECRET)
 THIS DOCUMENT CONTAINS CONFIDENTIAL/PROPRIETARY INFORMATION THAT IS HP. DO NOT DISCLOSE TO OR DUPLICATE OTHERS EXCEPT AS AUTHORIZED BY HP.

DRAWN BY XXX
 TITLE MODEL, PROJECT, FUNCTION
 Block Diagram
 SIZE A3 DOC NUMBER 1310xxxx-0-0
 REV X01

CHANGE BY XXX	DATE 21-OCT-2002
PCB P/N 60xxxxxxxxxxx	PCB VER XXX
SHEET 14 of 15	



INVENTEC			
TITLE MODEL,PROJECT,FUNCTION Block Diagram			
SIZE A3	CODE CS	DOC NUMBER 1310xxxxx-0-0	REV X01
CHANGE by PCB P/N		DATE PCB VER	SHEET 15 of 15

CHANGE by: XXX
PCB P/N: 60xxxxxxxxxx
DATE: 21-OCT-2002
PCB VER: XXX