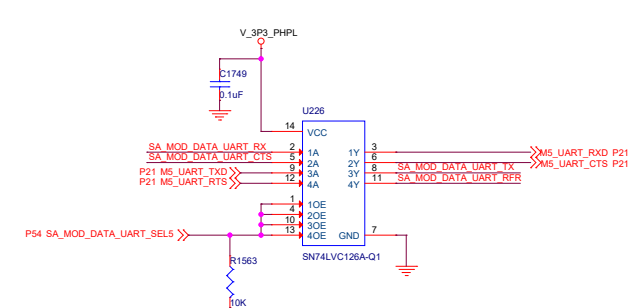
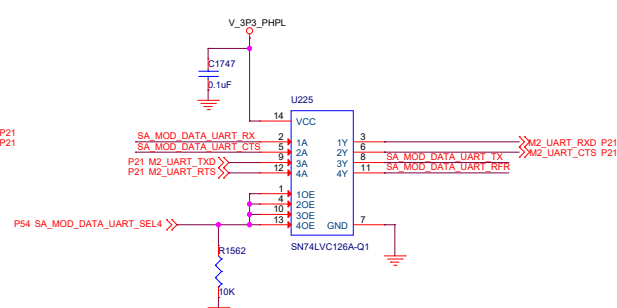
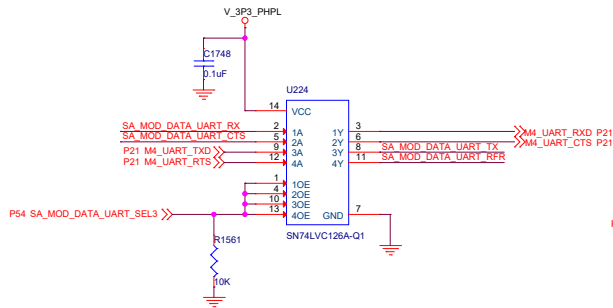
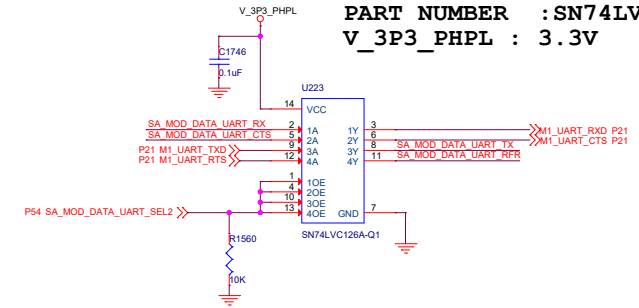
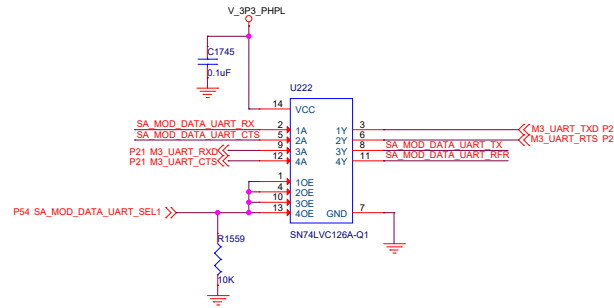
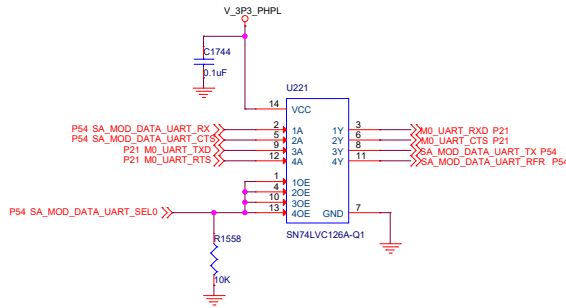


QC-MODEM UART SECTION

QC-MODEM: DATA UART BUFFERS

NOTE :
PART NUMBER : SN74LVC126AQPWRQ1
V_3P3_PHPL : 3.3V



QC-MODEM: DEBUG UART BUFFERS

