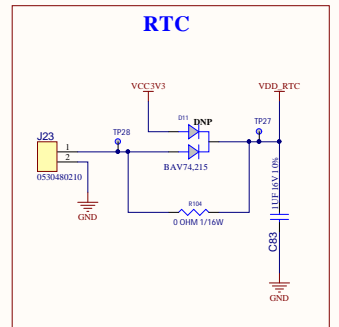
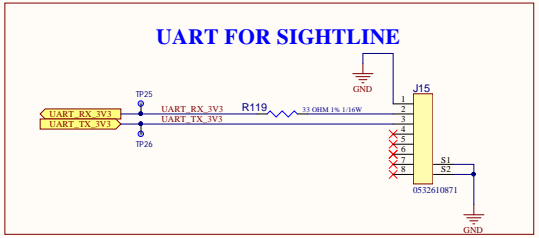
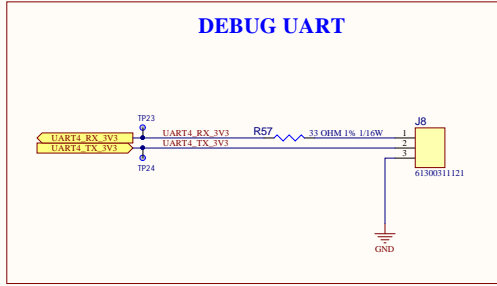
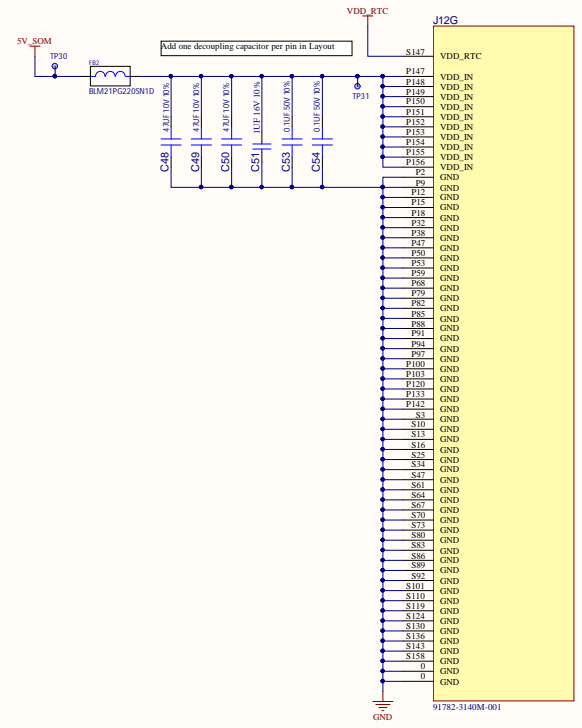
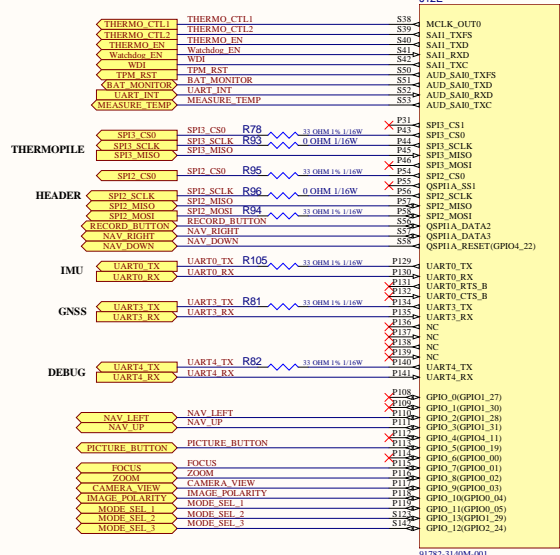
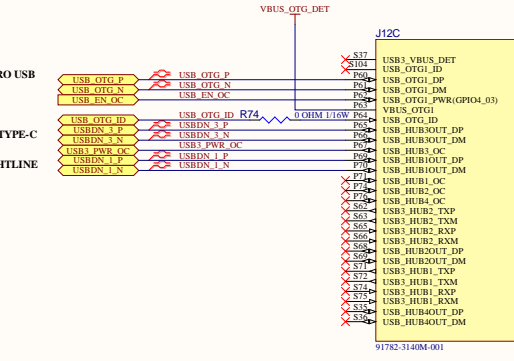
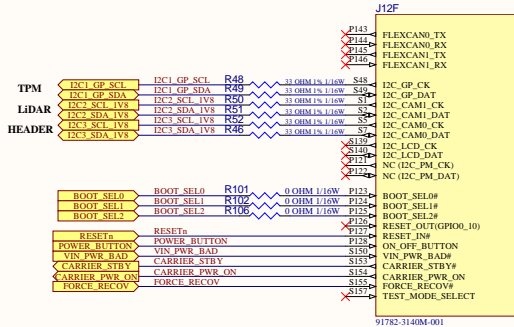
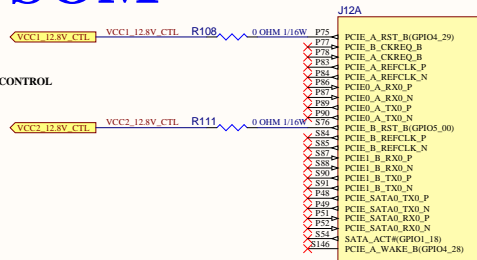


# SOM



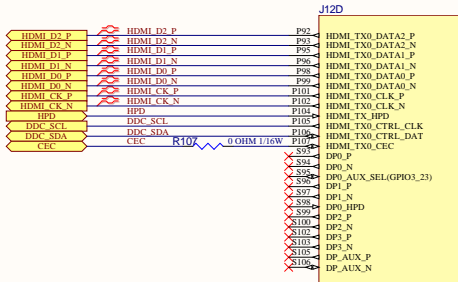
# SOM

## SUPPLY CONTROL



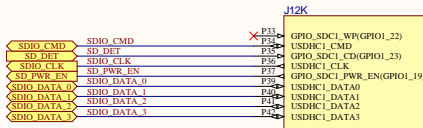
91782-3140M-001

## HDMI



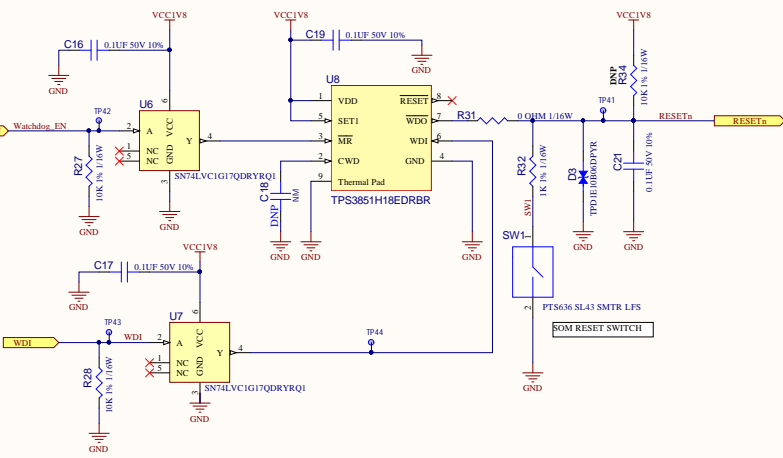
91782-3140M-001

## SD CARD

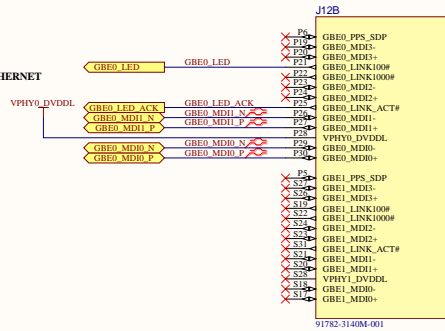


91782-3140M-001

## WATCHDOG

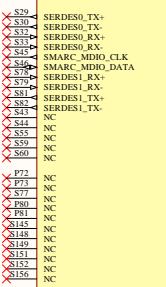


## ETHERNET



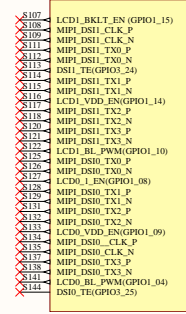
91782-3140M-001

## J12J



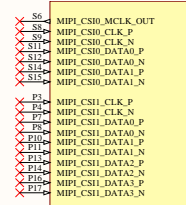
91782-3140M-001

## J12H

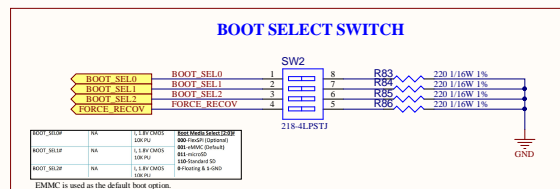
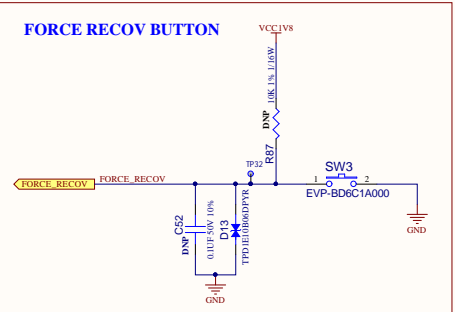


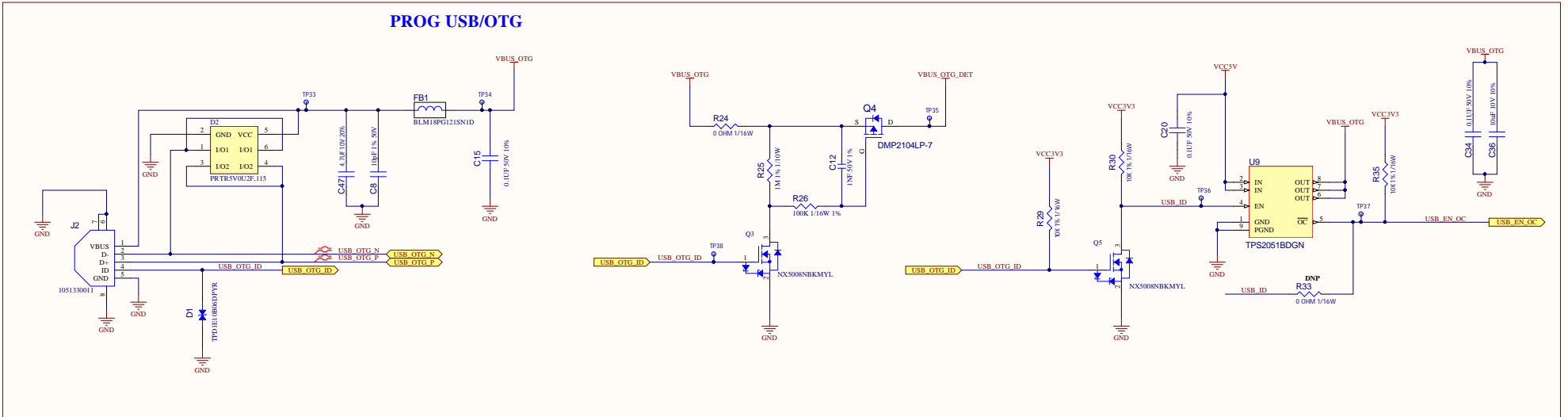
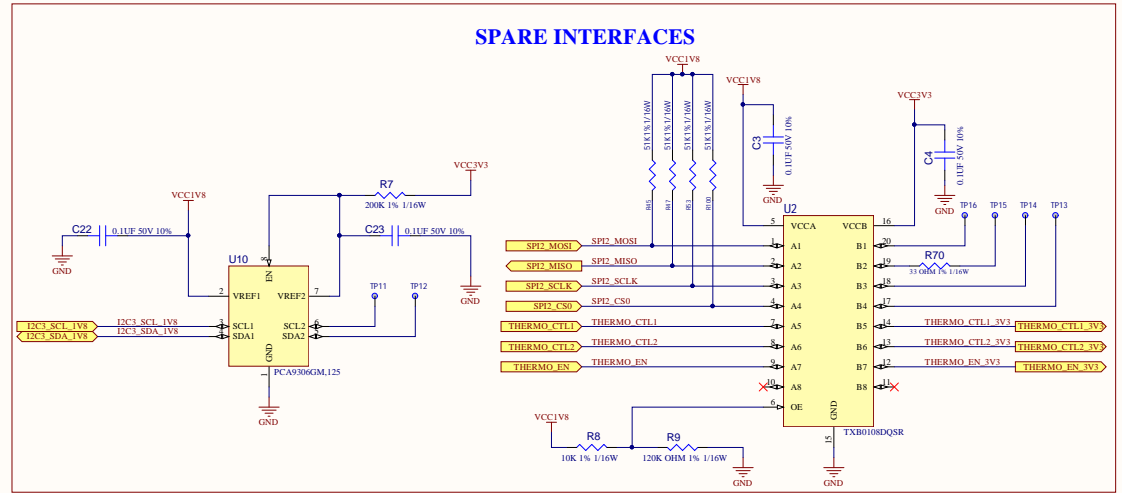
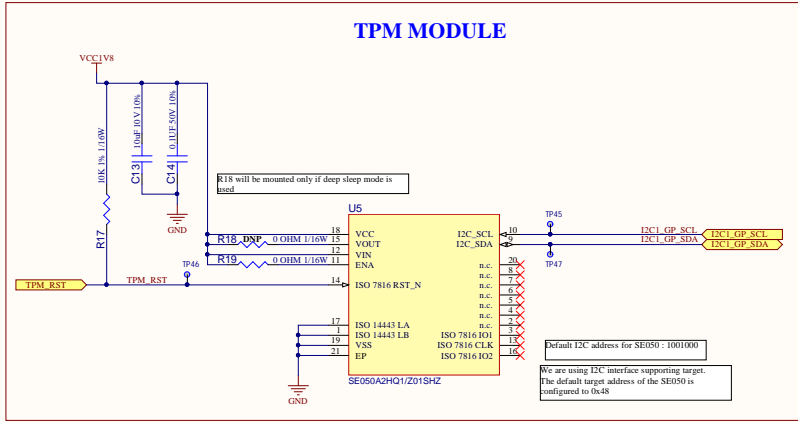
91782-3140M-001

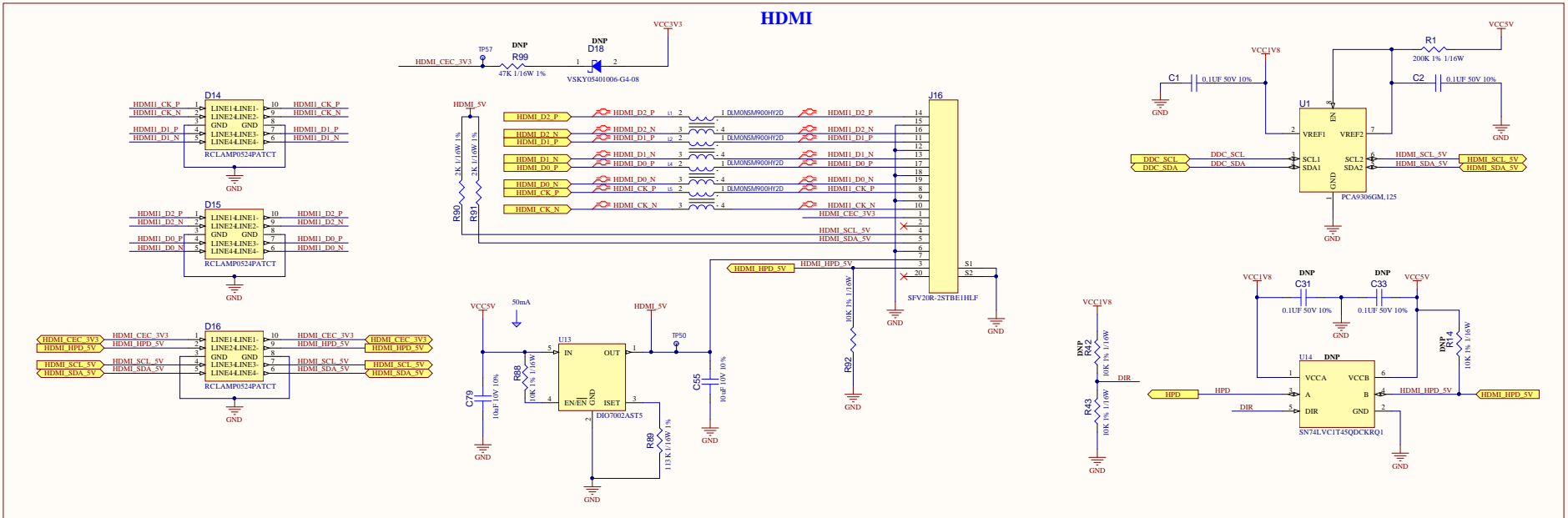
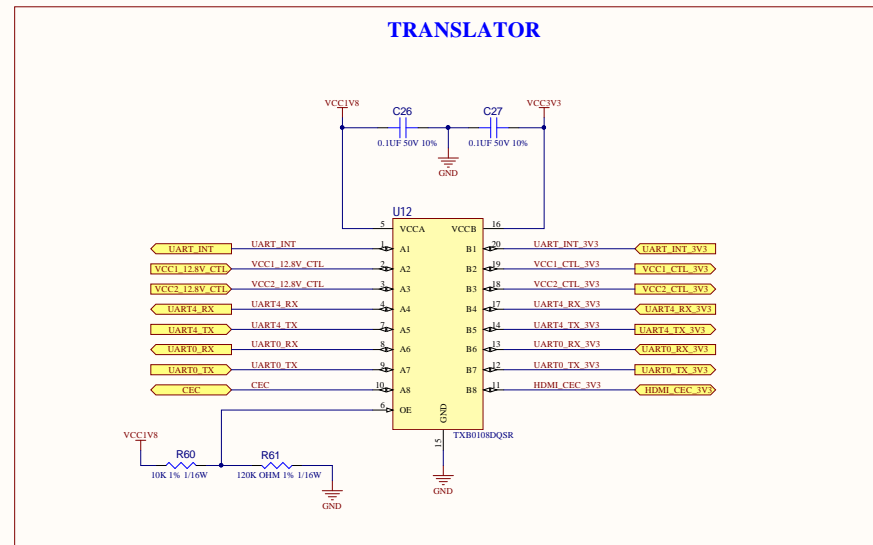
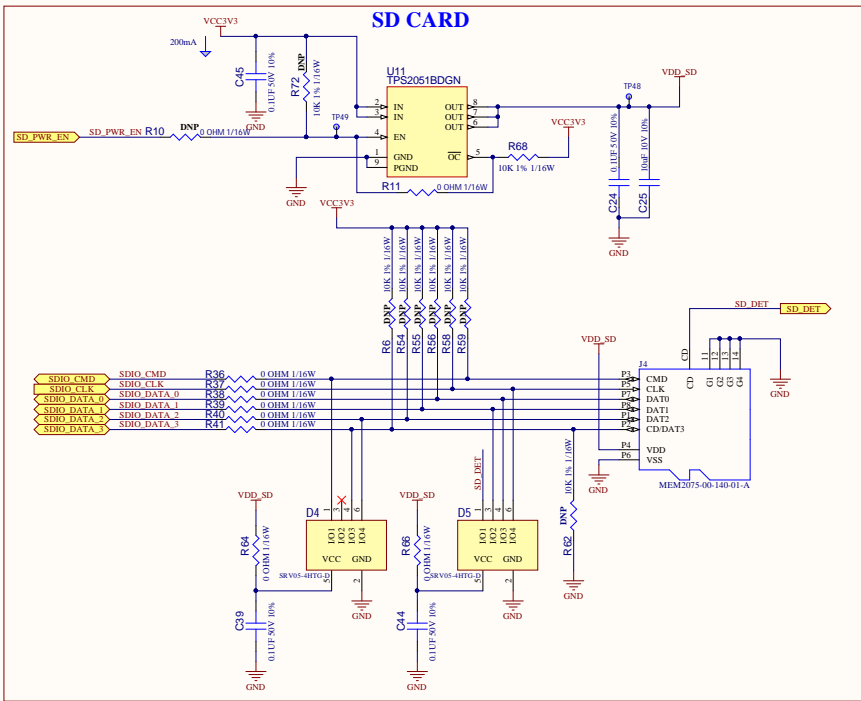
## J12I



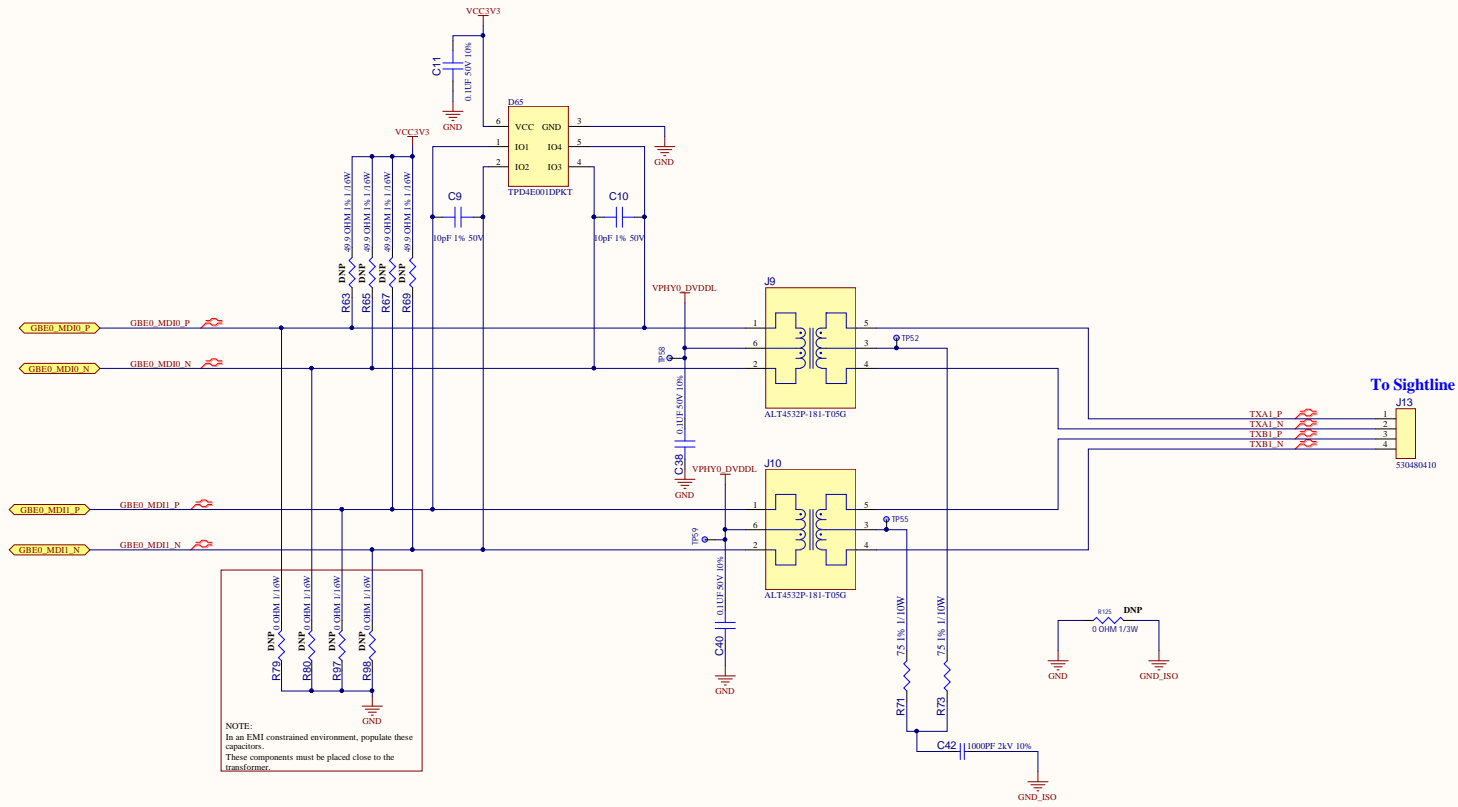
91782-3140M-001



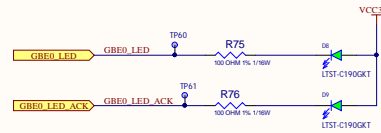




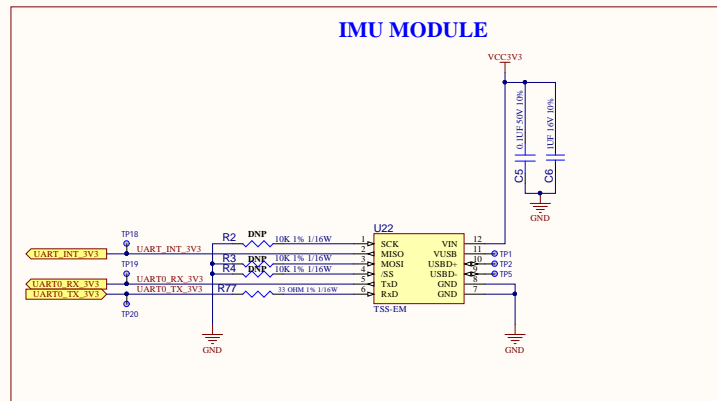
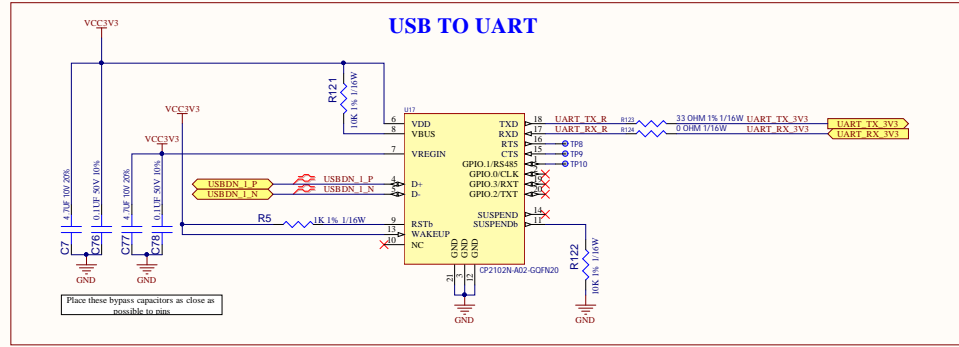
# ETHERNET



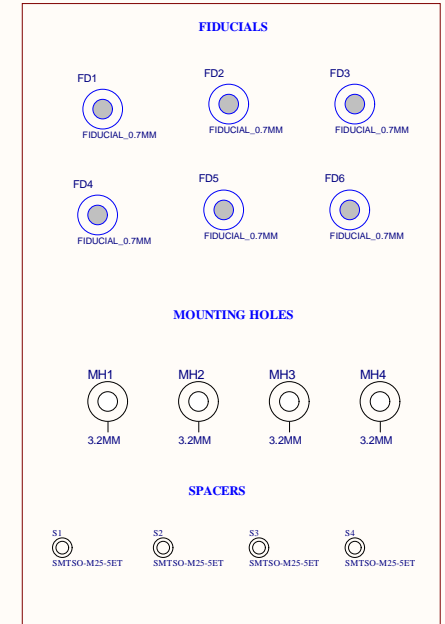
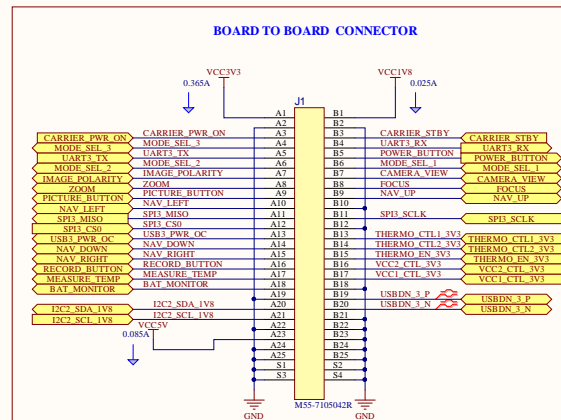
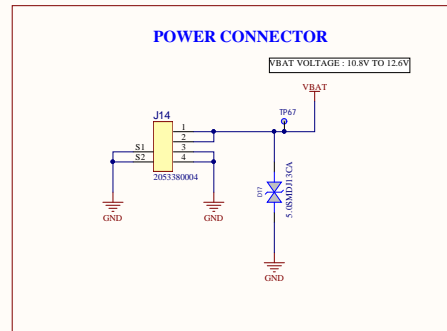
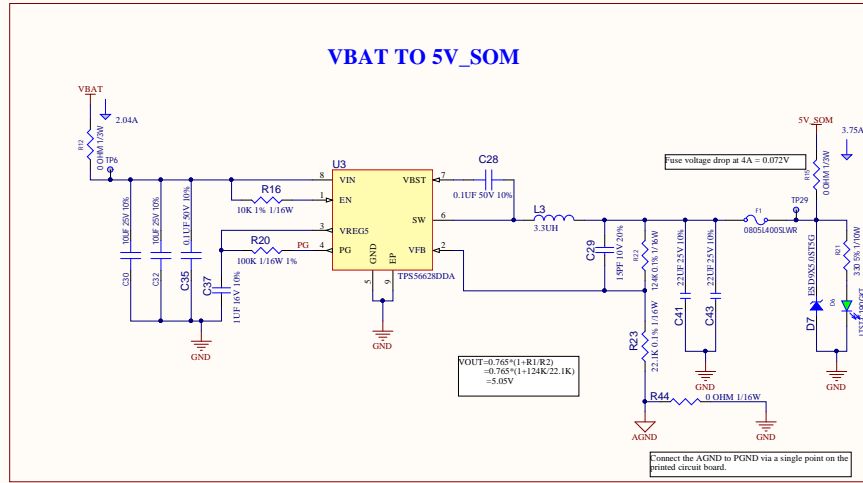
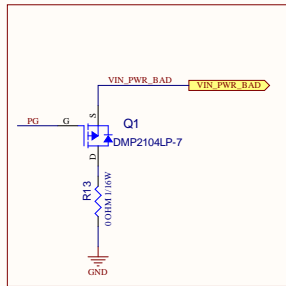
## STATUS LED FOR ETHERNET



|  |   |                   |              |             |                    |
|--|---|-------------------|--------------|-------------|--------------------|
|  | <b>WINDROCK, INC.</b><br>1822 MIDWAY ROAD, SUITE 102<br>KNOXVILLE, TN 37921 | TITLE:            | OGR CAMERA   | SCALE:      | DO NOT SCALE PRINT |
|  | CODE: OE3P9   | PRODUCT FAMILY: + | DRAWING NO.: | REV:        | 01                 |
| PROPRIETARY NOTICE - THE DATA CONTAINED HEREIN IS PROPRIETARY TO WINDROCK, INCORPORATED AND SHALL NOT BE DUPLICATED, USED, OR DISCLOSED IN WHOLE OR IN PART FOR ANY PURPOSE OTHER THAN FOR WHICH IT WAS FURNISHED WITHOUT THE EXPRESS PERMISSION OF WINDROCK INCORPORATED. |   | OWNER:            | CHAMPION-X   | SHEET SIZE: | 0x4-D-C            |
|  |   | ENGINEER:         | VG           | DATE:       | 16-06-2022         |
|  |   |                   |              |             | SHEET: 6 OF 4      |



|  |   |                      |                                   |
|--|---|----------------------|-----------------------------------|
|  | <b>WINDROCK, INC.</b><br>1522 MIDWAY ROAD, SUITE 102<br>KNOXVILLE, TN 37921 | TITLE:<br>OGR CAMERA | SCALE:<br>DO NOT SCALE PRINT      |
|  | CODE: OE3P9   | PRODUCT FAMILY: +    | DRAWING NO.:                      |
| PROPRIETARY NOTICE - THE DATA CONTAINED HEREIN IS PROPRIETARY TO WINDROCK, INCORPORATED AND SHALL NOT BE DUPLICATED, USED, OR DISCLOSED IN WHOLE OR IN PART FOR ANY PURPOSE OTHER THAN FOR WHICH IT WAS FURNISHED WITHOUT THE EXPRESS PERMISSION OF WINDROCK INCORPORATED. |   | OWNER: CHAMPION-X    | SHEET SIZE: 0x4-D-C               |
|  |   | ENGINEER: VG         | DATE: 16-06-2022<br>SHEET: 7 OF 4 |



|  |  |        |            |                 |                    |            |
|--|--|--------|------------|-----------------|--------------------|------------|
| <b>WINDROCK, INC.</b><br>1522 MIDWAY ROAD, SUITE 102<br>KNOXVILLE, TN 37921  |  | TITLE: | OG2 CAMERA | SCALE:          | DO NOT SCALE PRINT |            |
|  |  | CODE:  | OE3P9      | PRODUCT FAMILY: |                    | REV:       |
| PROPRIETARY NOTICE - THE DATA CONTAINED HEREIN IS PROPRIETARY TO WINDROCK, INCORPORATED AND SHALL NOT BE DUPLICATED, USED, OR DISCLOSED IN WHOLE OR PART FOR ANY PURPOSE OTHER THAN THAT FOR WHICH IT WAS FURNISHED WITHOUT THE EXPRESS PERMISSION OF WINDROCK INCORPORATED. |  |        | OWNER:     | CHAMPION-X      | SHEET SIZE:        | D-CAD-C    |
|  |  |        | ENGINEER:  | VG              | DATE:              | 16-06-2022 |
|  |  |        |            |                 | SHEET:             | 8 OF 4     |