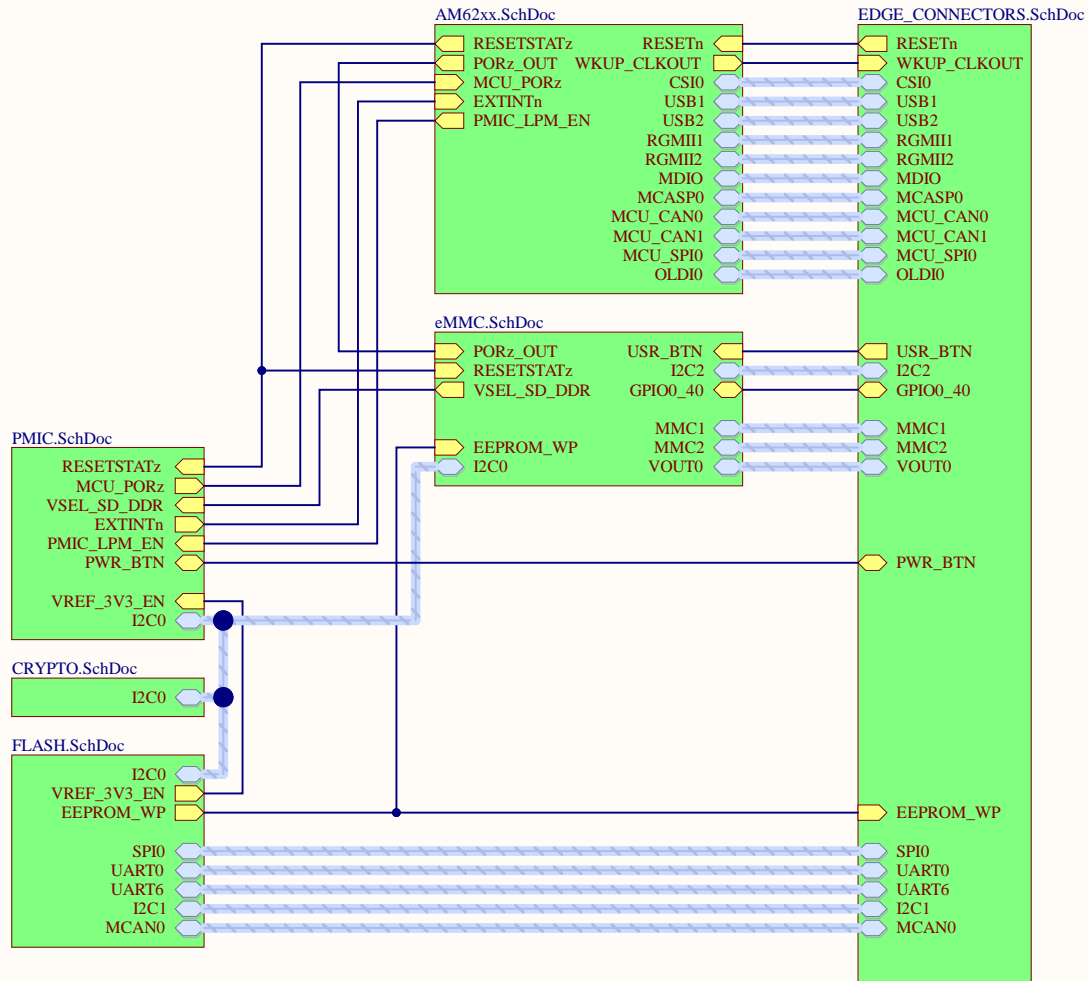
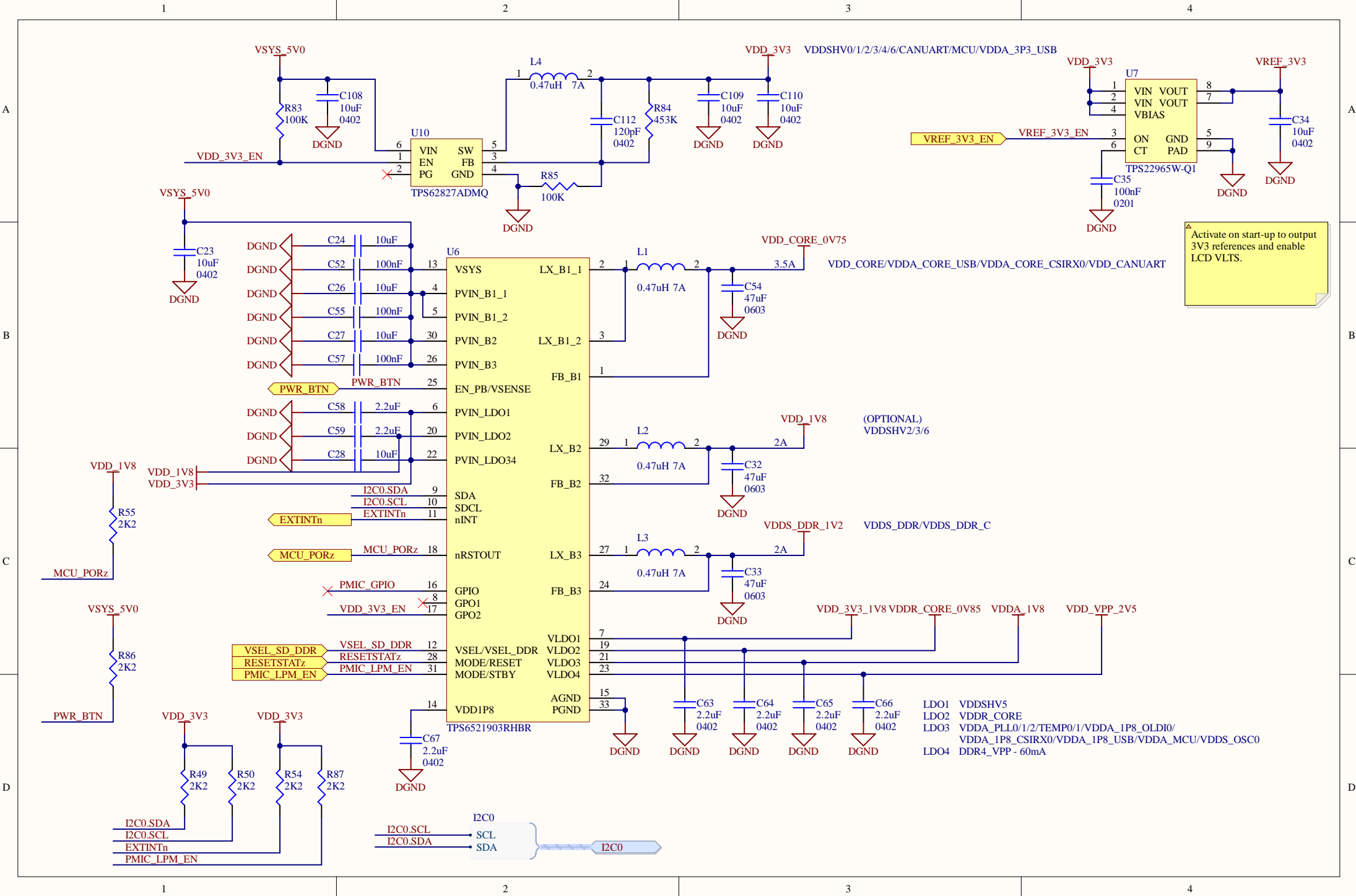


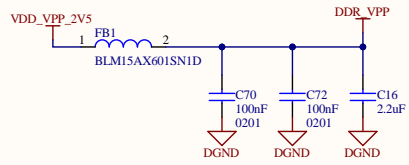
I2C0: PMIC TPS65219 0x30
 EEPROM 24LC32AT-I/OT 0x50
 CRYPTO ATECC608A 0x??



U_AM62xx_PWR
 AM62xx_PWR.SchDoc

U_DRAM
 DRAM.SchDoc



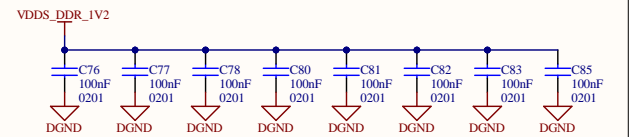
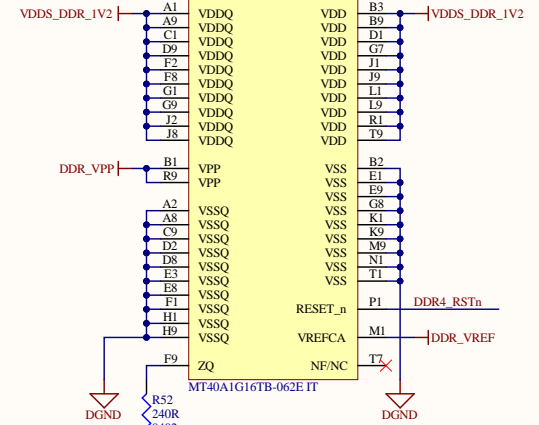
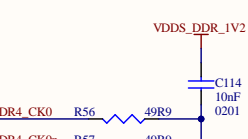
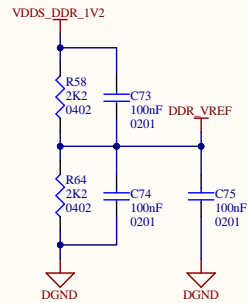
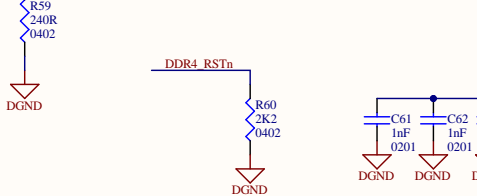
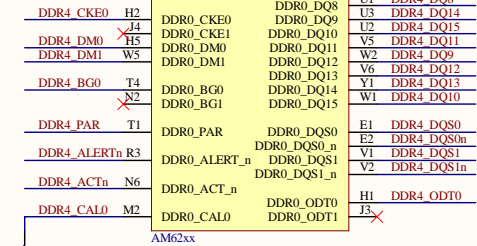


DDR4
8 GB (64 GBit) max
OPTIONS:
 512 MB (4 GBit) - IS43QR16256B (ISSI)
 1 GB (8 GBit) - IS43QR16512A (ISSI)
 1 GB (8 GBit) - MT40A512M16TB-062E IT (Micron)
 2 GB (16 GBit) - K4AAG165WA-BCWE (Samsung)
 2 GB (16 GBit) - MT40A1G16TB-062E IT (Micron)
 2 GB (16 GBit) - MT40A1G16TD-062E AIT (Micron)
 2 GB (16 GBit) - MT40A1G16KH-062E AIT (Micron)
 4 GB (32 GBit) - K4ABG165WA-MCWE (Samsung)

DDR4_CKE0	K2	CKE	TEN	N9	DDR4_TEN
DDR4_CK0n	K8	CK_c	ALERT_n	P9	DDR4_ALERTn
DDR4_CK0	K7	CK_1			
DDR4_CS0n	L7	CS_n	ACT_n	L3	DDR4_ACTn
			PAR	T3	DDR4_PAR
DDR4_DQ0	G2	DQ0		P3	DDR4_A0
DDR4_DQ1	F7	DQ1	A0	P7	DDR4_A1
DDR4_DQ2	H3	DQ2	A1	R3	DDR4_A2
DDR4_DQ3	H7	DQ3	A2	N7	DDR4_A3
DDR4_DQ4	H2	DQ4	A3	N3	DDR4_A4
DDR4_DQ5	H8	DQ5	A4	P8	DDR4_A5
DDR4_DQ6	J3	DQ6	A5	A5	DDR4_A6
DDR4_DQ7	J7	DQ7	A6	P2	DDR4_A7
DDR4_DQ8	A3	DQ8	A7	R8	DDR4_A8
DDR4_DQ9	B8	DQ9	A8	R2	DDR4_A8
DDR4_DQ10	C3	DQ10	A9	R7	DDR4_A9
DDR4_DQ11	C7	DQ11	A10/AP	M3	DDR4_A10
DDR4_DQ12	C2	DQ12	A11	T2	DDR4_A11
DDR4_DQ13	C8	DQ13	A12/BC_n	M7	DDR4_A12
DDR4_DQ14	D3	DQ14	A13	T8	DDR4_A13
DDR4_DQ15	D7	DQ15	A14	L2	DDR4_WEn
			WE_n/A14	M8	DDR4_CASn
			CAS_n/A15	L8	DDR4_RASn
			RAS_n/A16		
DDR4_DQS1	B7	UDQS_1		N2	DDR4_BA0
DDR4_DQS1n	A7	UDQS_c		M2	DDR4_BG0
DDR4_DQS0	G3	LDQS_1	BA0	N8	DDR4_BA1
DDR4_DQS0n	F3	LDQS_c	BG0		
			BA1		
DDR4_DM0	E7	NF/LDM_n/LDBI_n			
DDR4_DM1	E2	NF/UDM_n/UBLI_n			
			ODT	K3	DDR4_ODT0

USF	DDR0_RESETO_n	G1	DDR4_RSTn
	DDR0_CK0	L1	DDR4_CK0
	DDR0_CK0n	L2	DDR4_CK0n
	DDR0_CS0n	L6	DDR4_CS0n
	DDR0_CS1n	K2	DDR4_CASn
	DDR0_CAS_n	M4	DDR4_RASn
	DDR0_RAS_n	M5	DDR4_RASn
	DDR0_WE_n	N3	DDR4_WEn
	DDR0_BA0	M1	DDR4_BA0
	DDR0_BA1	N1	DDR4_BA1
	DDR0_A0	J1	DDR4_A0
	DDR0_A1	J2	DDR4_A1
	DDR0_A2	K3	DDR4_A2
	DDR0_A3	L5	DDR4_A3
	DDR0_A4	K4	DDR4_A4
	DDR0_A5	K1	DDR4_A5
	DDR0_A6	R2	DDR4_A6
	DDR0_A7	P2	DDR4_A7
	DDR0_A8	P1	DDR4_A8
	DDR0_A9	P4	DDR4_A9
	DDR0_A10	R5	DDR4_A10
	DDR0_A11	P5	DDR4_A11
	DDR0_A12	R6	DDR4_A12
	DDR0_A13	K1	DDR4_A13
	DDR0_DQ0	F4	DDR4_DQ0
	DDR0_DQ1	G5	DDR4_DQ4
	DDR0_DQ2	F3	DDR4_DQ2
	DDR0_DQ3	H6	DDR4_DQ1
	DDR0_DQ4	E3	DDR4_DQ6
	DDR0_DQ5	G2	DDR4_DQ3
	DDR0_DQ6	F2	DDR4_DQ7
	DDR0_DQ7	F1	DDR4_DQ5
	DDR0_DQ8	U1	DDR4_DQ8
	DDR0_DQ9	U3	DDR4_DQ14
	DDR0_CKE1	U2	DDR4_DQ15
	DDR0_DM0	V5	DDR4_DQ11
	DDR0_DM1	W2	DDR4_DQ9
	DDR0_DQ13	V6	DDR4_DQ12
	DDR0_DQ14	Y1	DDR4_DQ13
	DDR0_DQ15	W1	DDR4_DQ10
	DDR0_CKE0	E1	DDR4_DQS0
	DDR0_DQ0n	E2	DDR4_DQS0n
	DDR0_ALERT_n	V1	DDR4_DQS1
	DDR0_DQS1n	V2	DDR4_DQS1n
	DDR0_ACT_n	N6	DDR0_ACT_n
	DDR0_ODT0	H1	DDR4_ODT0
	DDR0_ODT1	J3	

DQ LINES SWAPPED WITHIN DATA BYTE



1

2

3

4

A

A

B

B

C

C

D

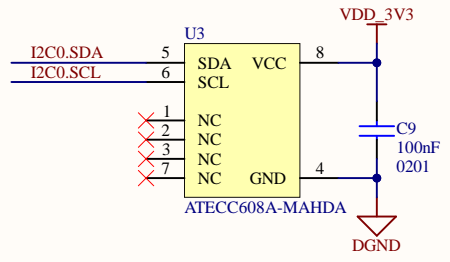
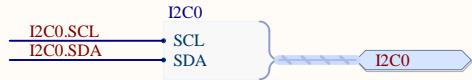
D

1

2

3

4



USC

RGMII1_RD0	AB17	RGMII1_RD0
RGMII1_RD1	AC17	RGMII1_RD1
RGMII1_RD2	AB16	RGMII1_RD2
RGMII1_RD3	AA15	RGMII1_RD3
RGMII1_RXC	AD17	RGMII1_RXC
RGMII1_RX_CTL	AE17	RGMII1_RX_CTL
RGMII1_TD0	AE20	RGMII1_TD0
RGMII1_TD1	AD20	RGMII1_TD1
RGMII1_TD2	AE18	RGMII1_TD2
RGMII1_TD3	AD18	RGMII1_TD3
RGMII1_TXC	AE19	RGMII1_TXC
RGMII1_TX_CTL	AD19	RGMII1_TX_CTL
RGMII2_RD0	AE23	RGMII2_RD0
RGMII2_RD1	AB20	RGMII2_RD1
RGMII2_RD2	AC21	RGMII2_RD2
RGMII2_RD3	AE22	RGMII2_RD3
RGMII2_RXC	AD23	RGMII2_RXC
RGMII2_RX_CTL	AD22	RGMII2_RX_CTL
RGMII2_TD0	Y18	RGMII2_TD0
RGMII2_TD1	AA18	RGMII2_TD1
RGMII2_TD2	AD21	RGMII2_TD2
RGMII2_TD3	AC20	RGMII2_TD3
RGMII2_TXC	AE21	RGMII2_TXC
RGMII2_TX_CTL	AA19	RGMII2_TX_CTL
MDIO0_MDO	AB22	MDIO.MDO
MDIO0_MDC	AD24	MDIO.MDC

AM62xx

USE

OLDIO_A0P	Y6	OLDIO.A0_P
OLDIO_A0N	AA5	OLDIO.A0_N
OLDIO_A1P	AB4	OLDIO.A1_P
OLDIO_A1N	AD3	OLDIO.A1_N
OLDIO_A2P	AA8	OLDIO.A2_P
OLDIO_A2N	Y8	OLDIO.A2_N
OLDIO_A3P	AA7	OLDIO.A3_P
OLDIO_A3N	AB6	OLDIO.A3_N
OLDIO_A4P	AC5	OLDIO.A4_P
OLDIO_A4N	AC6	OLDIO.A4_N
OLDIO_A5P	AD6	OLDIO.A5_P
OLDIO_A5N	AE5	OLDIO.A5_N
OLDIO_A6P	AD7	OLDIO.A6_P
OLDIO_A6N	AE6	OLDIO.A6_N
OLDIO_A7P	AE7	OLDIO.A7_P
OLDIO_A7N	AD8	OLDIO.A7_N
OLDIO_CLK0P	AE3	OLDIO.CLK0_P
OLDIO_CLK0N	AD4	OLDIO.CLK0_N
OLDIO_CLK1P	AD5	OLDIO.CLK1_P
OLDIO_CLK1N	AE4	OLDIO.CLK1_N

AM62xx

