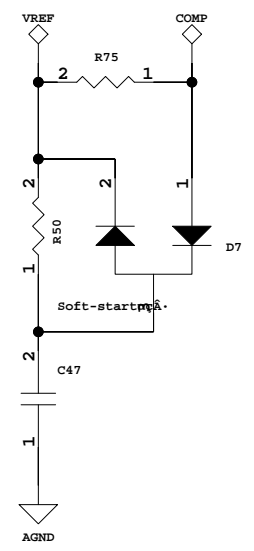


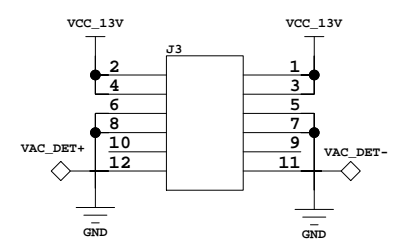
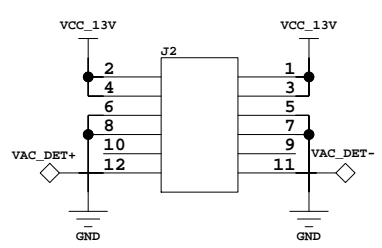
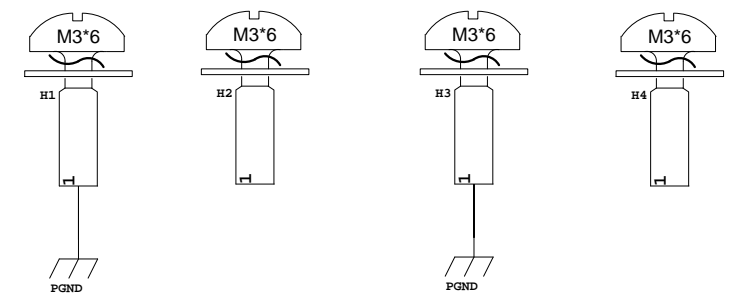
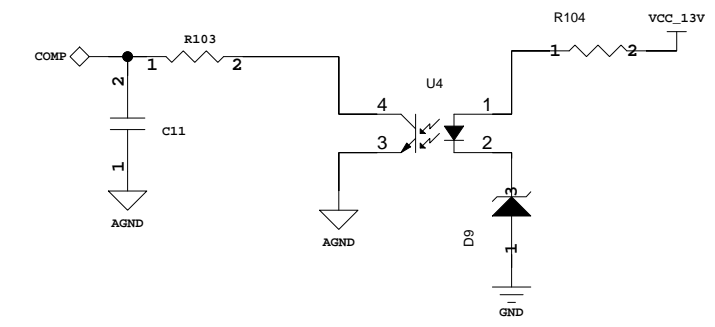
Attach=XXX


A01	E982010001			22/10/2020
REV	ECO NO.	CHANGE DESCRIPTION		Date
PART NO. 03022550	SHEET. 1/2	TITLE. SPARK11R1 Circuit Diagram	DRAWING NO. 03022550-DL	
Designer ZuoZhaogui	Reviewed Liuguangcai	PRODUCT. SPARK11Z		
Process Reviewed XiaoJun	Standardized ZengJun	PROPRIETARY INFORMATION This document must not be copied or reproduced in any form without the prior permission of VERTIV TECH CO., LTD.		
Approved HuKaigeng				



Soft Start

OVP 16.5V



A01	E982010001	22/10/2020:16:48	
REV	ECO NO.	CHANGE DESCRIPTION	
PART NO.	SHEET.	TITLE.	DRAWING NO.
03022550	2 / 2	SPARK11R1 Circuit Diagram	03022550-DL
Designer	ZuoZhaogui	PRODUCT.	
Reviewed	Liuguangcai		
Process Reviewed	XiaoJun	PROPRIETARY INFORMATION THE DESIGNS AND INFORMATION HELD ON THESE DRAWINGS ARE THE PROPERTY OF VERTIV TECH CO., LTD. THEY MUST NOT BE COPIED IN ANY WAY, NOR USED BY OR COMMUNICATED TO THIRD PARTIES WITHOUT WRITTEN CONSENT.	
Standardized	ZengJun		
Approved	HuKaigeng		