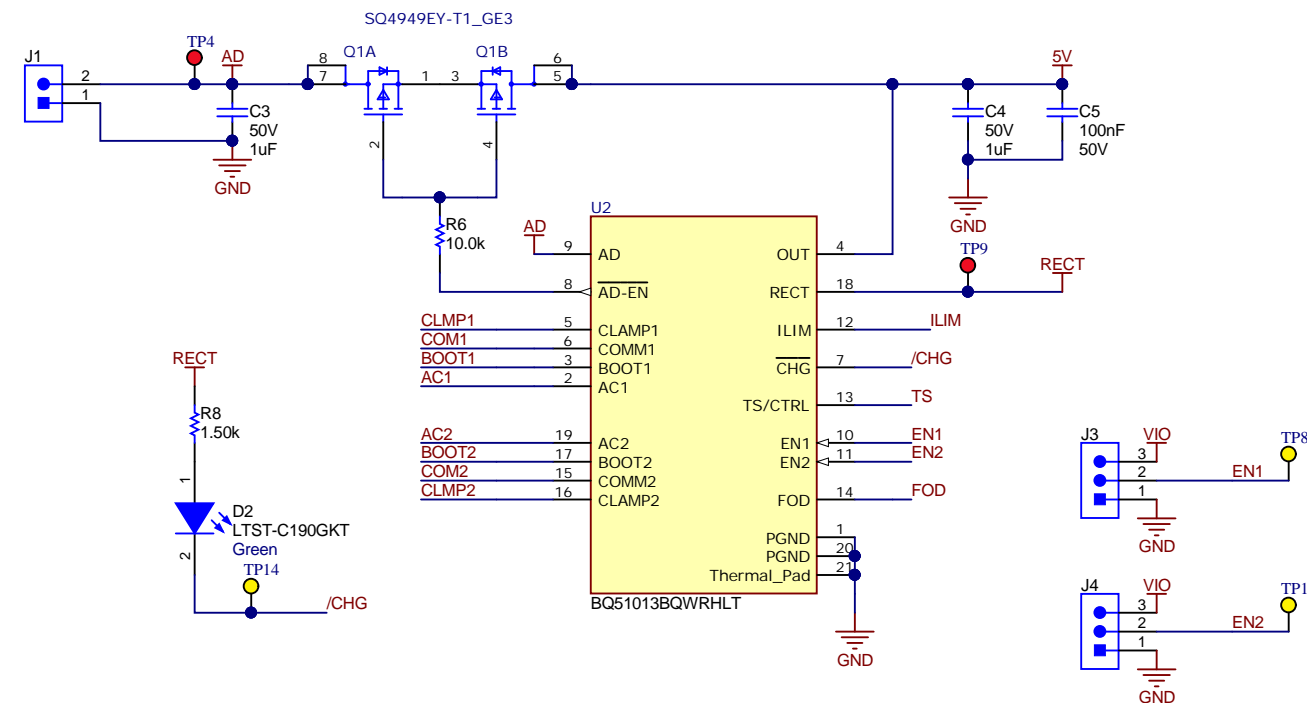
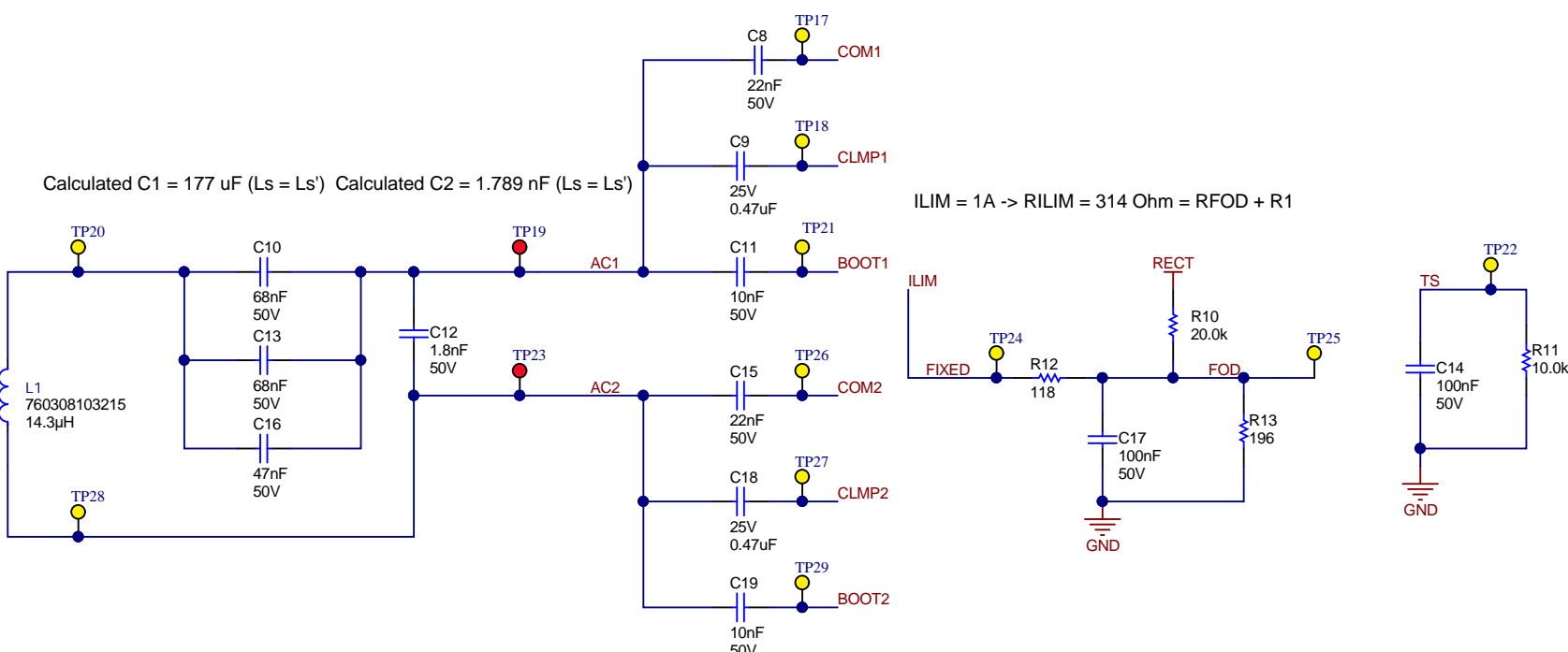


Revision History

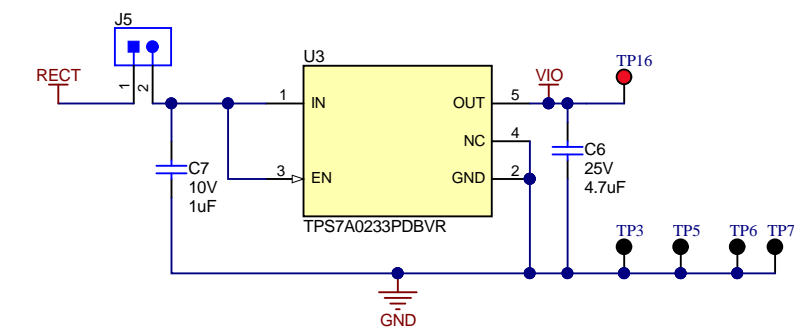
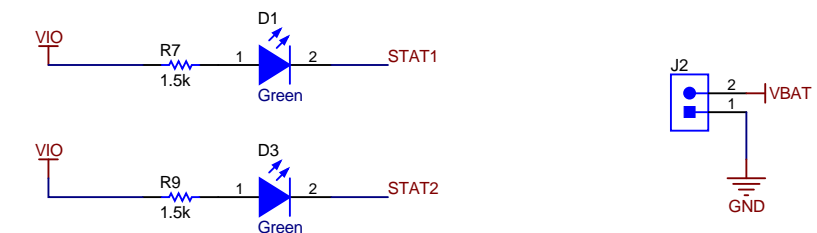
| Rev | ECN # | Approved Date | Approved by | Notes |
|-----|-------|---------------|-------------|-------|
| N/A | N/A | N/A | N/A | N/A |



BQ51013B-Q1: Automotive Highly Integrated Wireless Receiver Qi (WPC v1.2)



BQ25171-Q1: Automotive, Standalone 800-mA Linear Battery Charger for 1- to 2-Cell



| | | |
|--------------------------------------|--|----------------------|
| Orderable: ChangeMe in variant | Designed for: Public Release | Mod. Date: 8/29/2022 |
| TID #: N/A | Project Title: Change in menu Project/Project Options/Parameters | |
| Number: XXX### | Rev: E1 | Sheet Title: |
| SVN Rev: Not in version control | Assembly Variant: 001 | Sheet: 1 of 3 |
| Drawn By: | File: CoverSheet.SchDoc | Size: B |
| Engineer: Enter name of project lead | Contact: http://www.ti.com/support | |

Texas Instruments and/or its licensors do not warrant the accuracy or completeness of this specification or any information contained therein. Texas Instruments and/or its licensors do not warrant that this design will meet the specifications, will be suitable for your application or fit for any particular purpose, or will operate in an implementation. Texas Instruments and/or its licensors do not warrant that the design is production worthy. You should completely validate and test your design implementation to confirm the system functionality for your application.

PCB Number: XXX###
PCB Rev: E1

PCB LOGO
Texas Instruments



PCB LOGO
FCC disclaimer

PCB LOGO
WEEE logo

You should delete the nylon screws/standoffs and/or the bumpons as needed for your design (or substitute other parts from Hardware.IntLib). Bumpons are cheaper, but provide less clearance.

Deleting anything else from this page may result in your EVM submission being rejected (until you add them back).

Update the Label Text in the Label Table as needed for each Assembly Variant.

You should delete this note too.

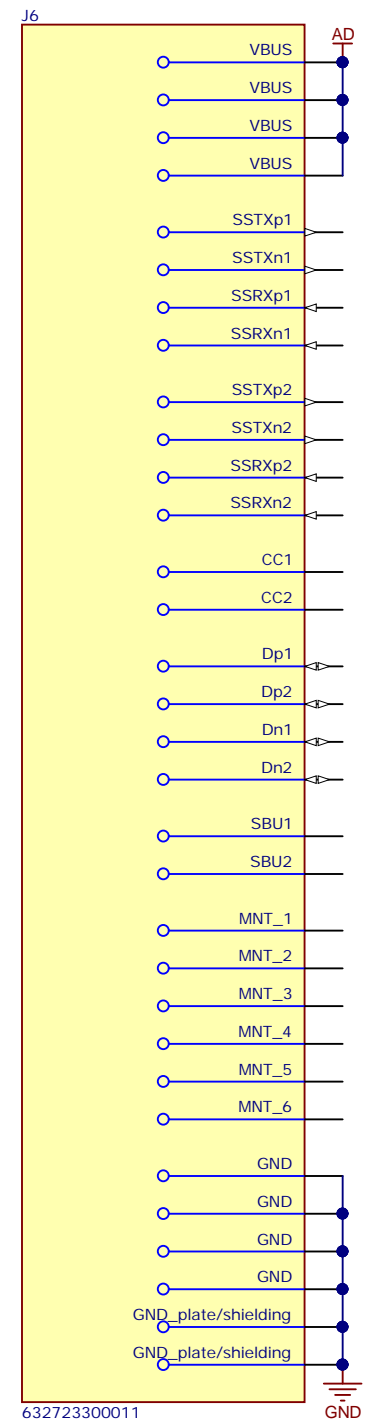
| Variant/Label Table | |
|---------------------|------------|
| Variant | Label Text |
| 001 | ChangeMe! |
| 002 | ChangeMe! |
| | |
| | |
| | |
| | |

ZZ1
Label Assembly Note
This Assembly Note is for PCB labels only

ZZ2
Assembly Note
These assemblies are ESD sensitive, ESD precautions shall be observed.

ZZ3
Assembly Note
These assemblies must be clean and free from flux and all contaminants. Use of no clean flux is not acceptable.

ZZ4
Assembly Note
These assemblies must comply with workmanship standards IPC-A-610 Class 2, unless otherwise specified.



632723300011

Texas Instruments and/or its licensors do not warrant the accuracy or completeness of this specification or any information contained therein. Texas Instruments and/or its licensors do not warrant that this design will meet the specifications, will be suitable for your application or fit for any particular purpose, or will operate in an implementation. Texas Instruments and/or its licensors do not warrant that the design is production worthy. You should completely validate and test your design implementation to confirm the system functionality for your application.