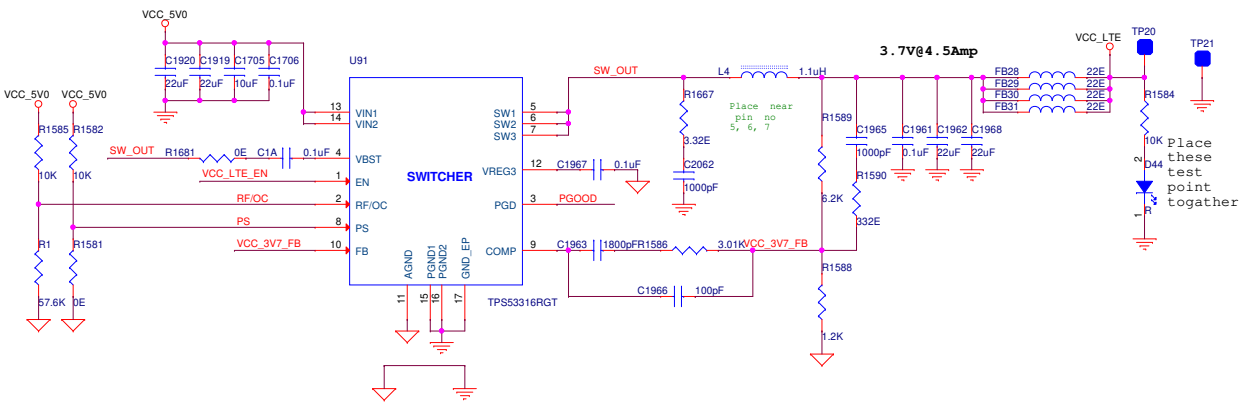
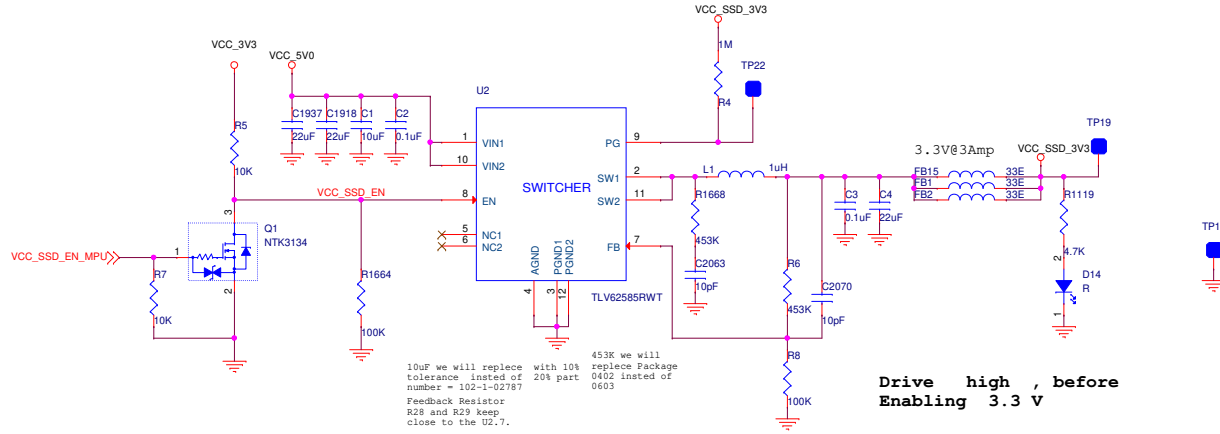


SSD SWITCHER



Place VREG capacitor as close as possible
 RF/OC, PS, FB pin should be away from switching node

