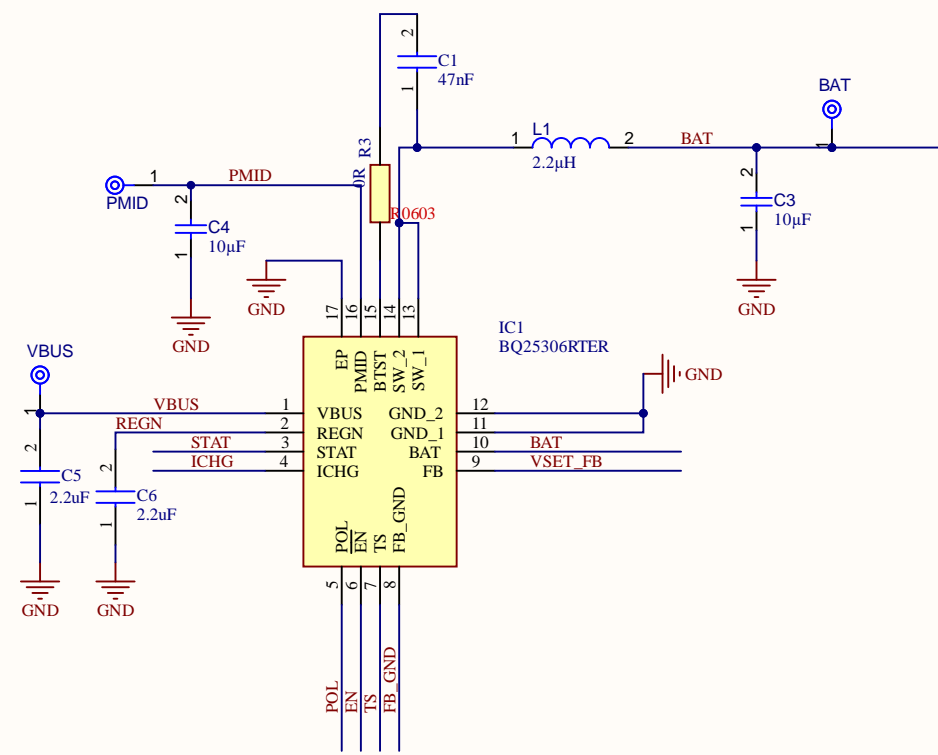
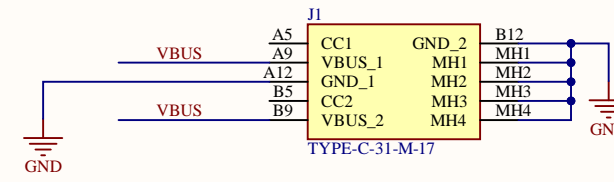


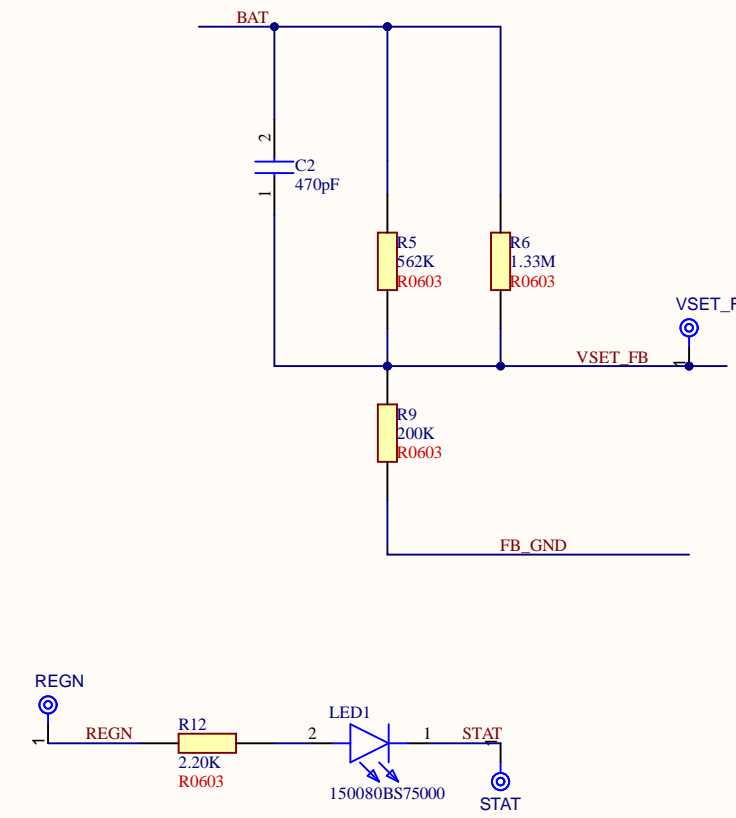
1&2 CELL BATTERY CHARGING



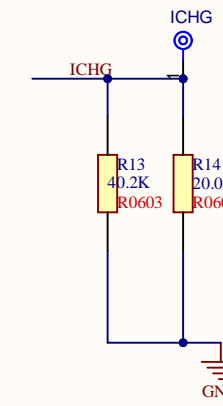
C-TYPE USB INPUT



SHORT THE R1 FOR 1PACK CELL(4.2V)
SHORT THE R2 FOR 2 PACK CELL(8.4V)

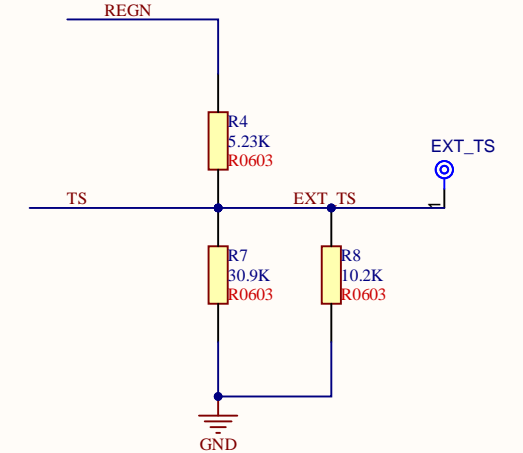
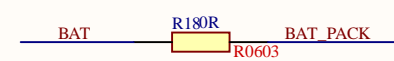


R13&R14 SET OT CHARGE CURRENT

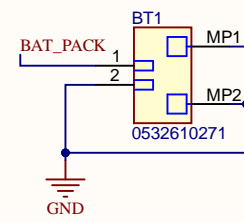


VALUE	CHARGE CURRENT(ICHG)
R13	1A CHARGE
R14	2A CHARGE

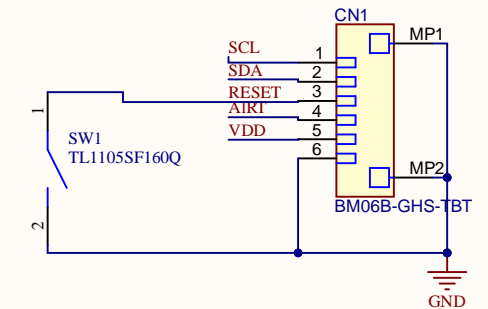
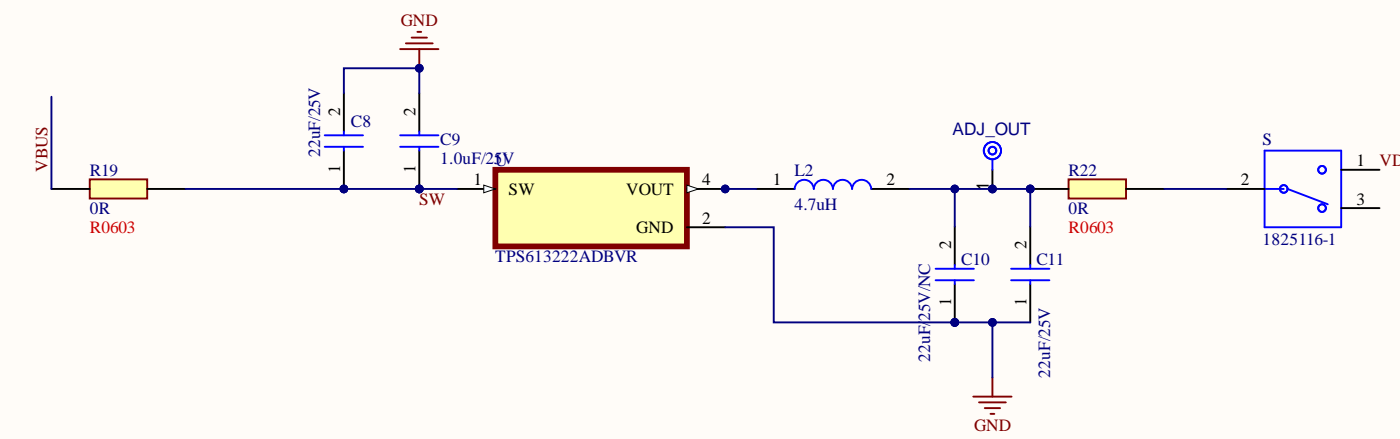
BATTERY INPUT TO CHARGING



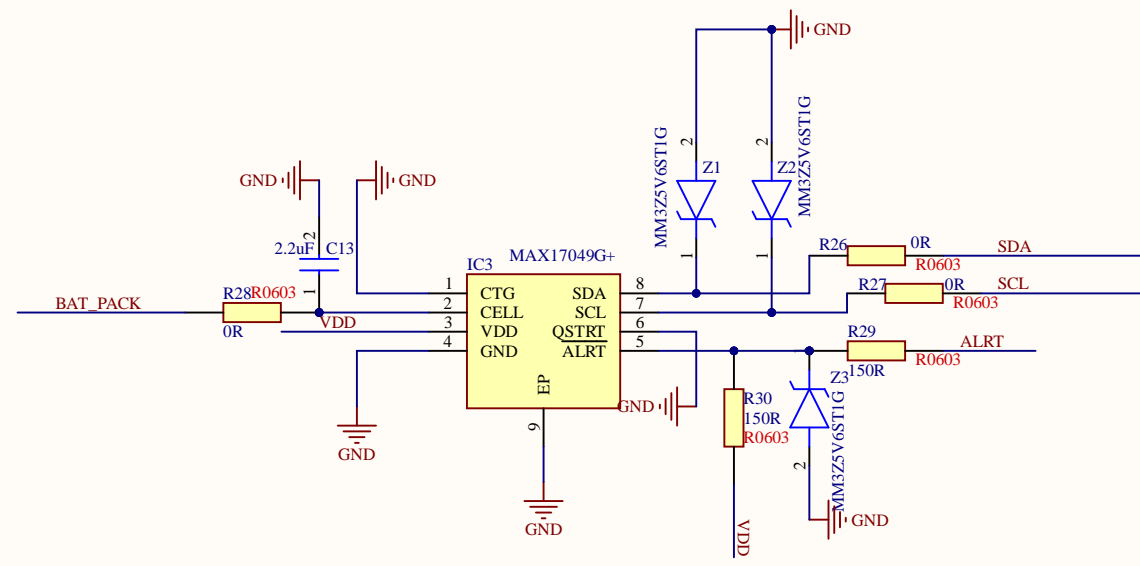
BATTERY PACK IN



SHORT R19 FOR DIRECT INPUT TO BOOSTER



FUEL GAUGE



I2C PINS TO MCU

Title		
Size	Number	Revision
A2		
Date:	6/24/2024	Sheet of
File:	LJ-Battery_module-Sch.SchDoc	Drawn By: