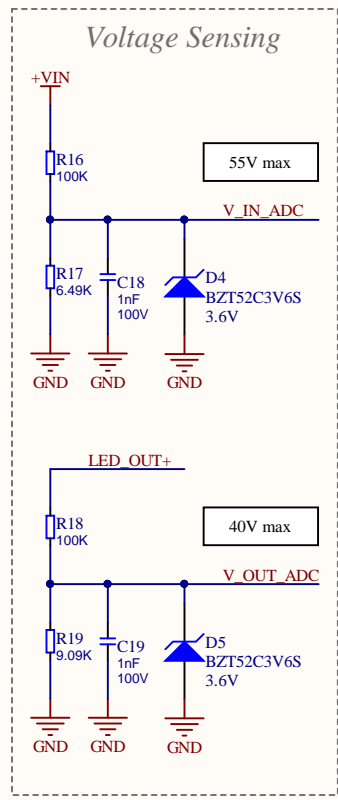


# LED Driver



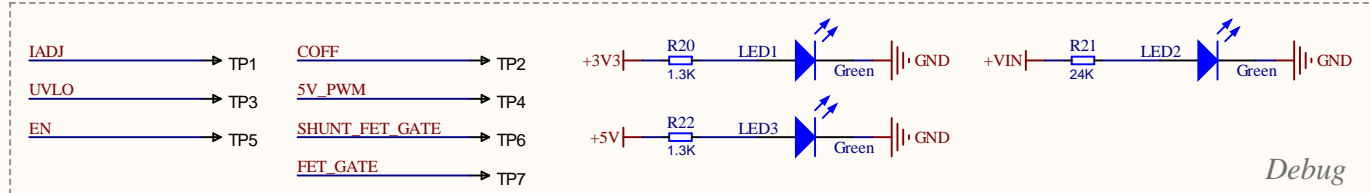
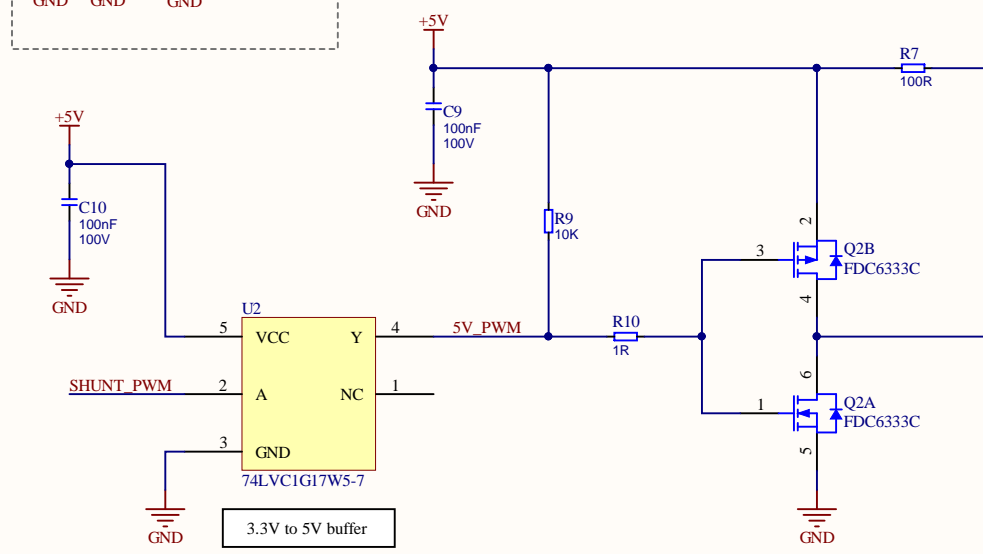
VIN\_MIN = 10V

1-2: No PWM  
 NC (Mid): Internal PWM using EN pin  
 3-2: External PWM (Shut FET)

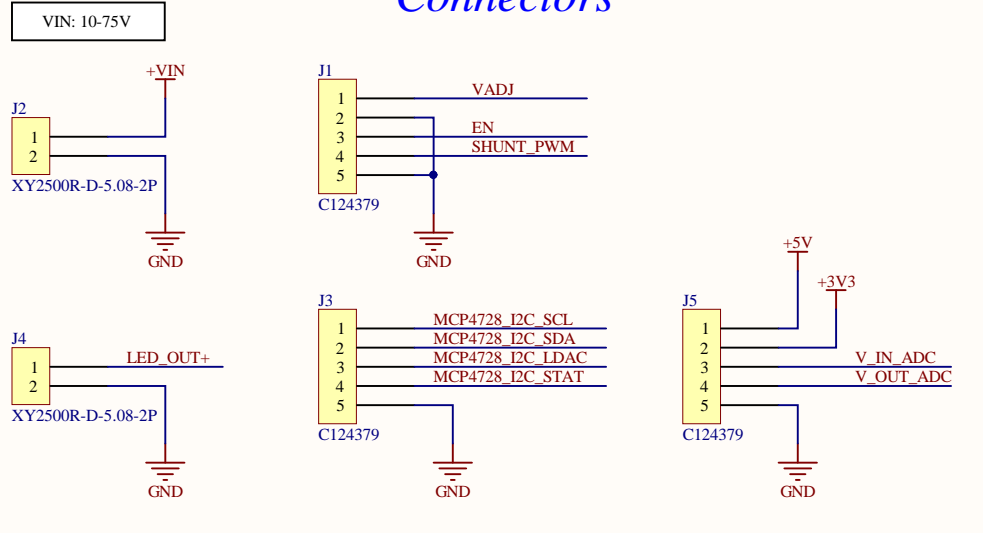
VIN = 48V;  
 VIN\_MAX = 75V  
 V\_OUT = 36V  
 Fsw = 500kHz  
 I\_LED = 1A  
 $\Delta I_{LED\_PP} = \Delta I_{L\_PP} = 350mA$   
 $\Delta V_{IN\_PP} = 1V$   
 V\_TURN\_ON = 10V;  
 VHYS = 1.1V  
 $\eta = 0.97$

C8 = 680pF  
 R6 = 18.6kOhm  
 F\_SW = 500kHz (497.4kHz)  
 T\_OFF = 456ns  
 L1 = 47uH  
 I\_L\_MAX = 1.275A  
 R1 = 0.2Ohm  
 I\_LED = 1.065A  
 C\_IN = 3uF  
 R8 = 190Ohm (<200Ohm)

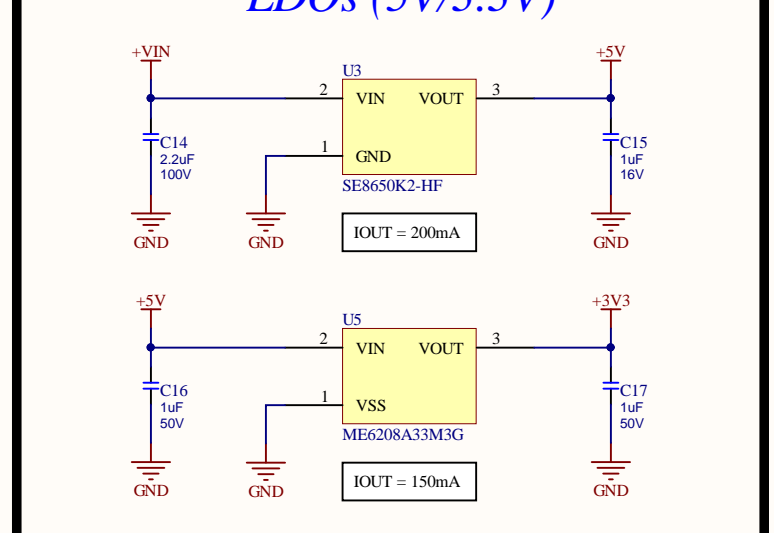
2.2uF cap is needed for analog dimming



## Connectors



## LDOs (5V/3.3V)



## DAC

