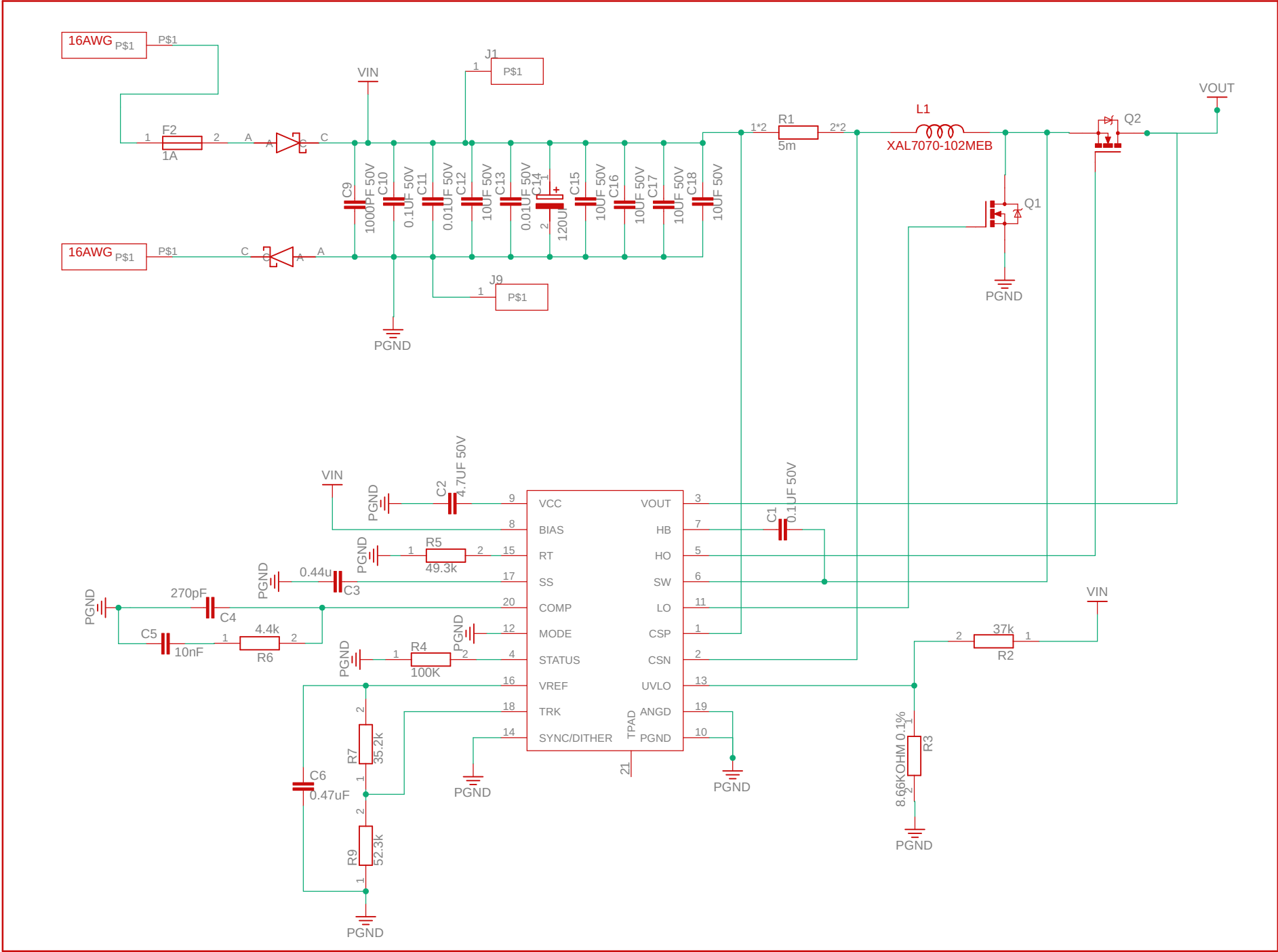


TITLE: 12 V Standard Link Power Schematic v74	
Document Number:	REV:
Date: not saved!	Sheet: 1/1



Column1	Column2	Column3	Column5
Part	Value	Device	Description
C1	0.1UF 50V	CGA3E2X7R1H104K080AA	CAP CER 0.1UF 50V X7R 0603
C2	4.7UF 50V	GCM32ER71H475KA55K	CAP CER 4.7UF 50V X7R 1210
C3	0.44u	C1812C444K5GLCAUTO	
C4	270pF	CL10C271JB81PNC	
C5	10nF	CL05B103KB5NNNC	
C6	0.47uF	GCM188R71E474KA64D	CAP CER 0.47UF 25V X7R 0603
C9	1000PF 50V	GCM188R71H102KA37D	CAP CER 1000PF 50V X7R 0603 AEC-Q200
C10	0.1UF 50V	CGA3E2X7R1H104K080AA	CAP CER 0.1UF 50V X7R 0603
C11	0.01UF 50V	CGA3E2X7R1H103K080AA	CAP CER 10000PF 50V X7R 0603
C12	10UF 50V	UMK325AB7106KMHT	CAP CER 10UF 50V X7R 1210
C13	0.01UF 50V	CGA3E2X7R1H103K080AA	CAP CER 10000PF 50V X7R 0603
C14	120UF	EEE-FNV121XUP	CAP ALUM 120UF 20% 35V SMD
C15	10UF 50V	UMK325AB7106KMHT	CAP CER 10UF 50V X7R 1210
C16	10UF 50V	UMK325AB7106KMHT	CAP CER 10UF 50V X7R 1210
C17	10UF 50V	UMK325AB7106KMHT	CAP CER 10UF 50V X7R 1210
C18	10UF 50V	UMK325AB7106KMHT	CAP CER 10UF 50V X7R 1210
C21	0.1UF 50V	CGA3E2X7R1H104K080AA	CAP CER 0.1UF 50V X7R 0603
C22	0.1UF 50V	CGA3E2X7R1H104K080AA	CAP CER 0.1UF 50V X7R 0603
C23	0.1UF 50V	CGA3E2X7R1H104K080AA	CAP CER 0.1UF 50V X7R 0603
C24	0.1UF 50V	CGA3E2X7R1H104K080AA	CAP CER 0.1UF 50V X7R 0603
C25	10UF 50V	UMK325AB7106KMHT	CAP CER 10UF 50V X7R 1210
C26	10UF 50V	UMK325AB7106KMHT	CAP CER 10UF 50V X7R 1210
C27	10UF 50V	UMK325AB7106KMHT	CAP CER 10UF 50V X7R 1210
C28	10UF 50V	UMK325AB7106KMHT	CAP CER 10UF 50V X7R 1210
C29	10UF 50V	UMK325AB7106KMHT	CAP CER 10UF 50V X7R 1210
C30	10UF 50V	UMK325AB7106KMHT	CAP CER 10UF 50V X7R 1210
C31	0.1UF 50V	CGA3E2X7R1H104K080AA	CAP CER 0.1UF 50V X7R 0603
C34	120UF	EEE-FNV121XUP	CAP ALUM 120UF 20% 35V SMD
C35	1UF 50V	CGA3E3X5R1H105K080AB	CAP CER 1UF 50V X5R 0603
C36	0.1UF 50V	CGA3E2X7R1H104K080AA	CAP CER 0.1UF 50V X7R 0603
C37	22UF 50V	EEE-FK1H220P	CAP ALUM 22UF 20% 50V SMD
C38	EEE-FT1H470AP	EEE-FT1H470AP	
C39	EEE-FT1H470AP	EEE-FT1H470AP	
C40	0.1UF 50V	CGA3E2X7R1H104K080AA	CAP CER 0.1UF 50V X7R 0603
CONN1	ONECONNHOLE	ONECONNHOLE	
CONN2	ONECONNHOLE	ONECONNHOLE	
CONN3		16AWG_WIRE_HOLE	
CONN4		16AWG_WIRE_HOLE	
D2	6.8V	TZMC6V8-GS08	DIODE ZENER 6.8V 500MW SOD80
D3	6.8V	TZMC6V8-GS08	DIODE ZENER 6.8V 500MW SOD80
D4		SS26FL	DIODE SCHOTTKY 60V 2A SOD123F
D5		SS26FL	DIODE SCHOTTKY 60V 2A SOD123F
F1	1A	0437001.WRA	FUSE BRD MNT 1A 63VAC 63VDC 1206
F2	1A	0407001.WRA	Surface Mount Fuses 1A 63V TIME DELAY
IC2	LM60440DRPKR	LM60440DRPKR	

IC3	LM5152QRGRRQ1	LM5152QRGRRQ1	
L1	XAL7070-102MEB	XAL7070-102MEB	1uH Shld 20% 25A 2.81mOhms AECQ2
L2	XAL6060-682MEC	XAL6060-682MEC	INDUCTOR, 6.8UH, 9A, 20%, 18MHZ, REEL
Q1		SQD23N06-31L_GE3	MOSFET 60V 23A 100W AEC-Q101
Q2		SQD97N06-6M3L_GE3	MOSFET 60V 97A 136W AEC-Q101
R1	5m	WSL36375L000DEA	
R2	37k	TNPW060337K0BEEA0603	
R3	8.66KOHM 0.1%	ERA-3AEB8661V	RES SMD 8.66KOHM 0.1% 1/10W 0603
R4	100K	ERJ-3EKF1003V	RES SMD 100K OHM 1% 1/10W 0603
R5	49.3k	TNPW060349K3BEEA	RES 49.3K OHM 0.1% 0.21W 0603
R6	4.4k	ERJ-3EKF4421V	
R7	35.2k	RN73R1JTDD3522F100	RES 35.2K OHM 1% 1/10W 0603
R8	100K OHM	CRGCQ2010F100K	RES 100K OHM 1% 3/4W 2010
R9	52.3k	ERJ-3EKF5232V	RES SMD 52.3K OHM 1% 1/10W 0603
R10	133k	ERJ-3EKF1333V	RES SMD 133K OHM 1% 1/10W 0603
R20	0.3 OHM	ERJ-3BQFR30V	RES 0.3 OHM 1% 1/4W 0603
R21	0.3 OHM	ERJ-3BQFR30V	RES 0.3 OHM 1% 1/4W 0603
R22	24.9K OHM	ERJ-PB3D2492V	RES SMD 24.9K OHM 0.5% 1/5W 0603