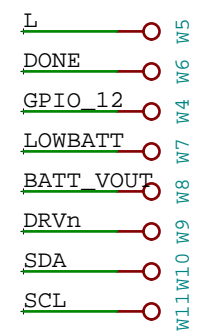
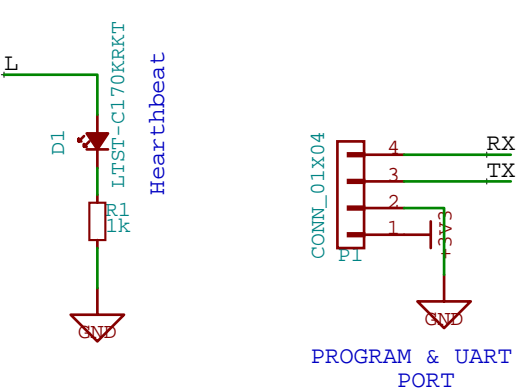
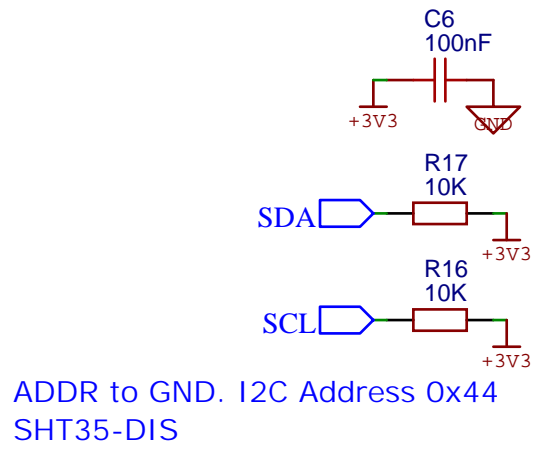
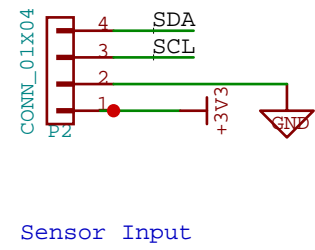
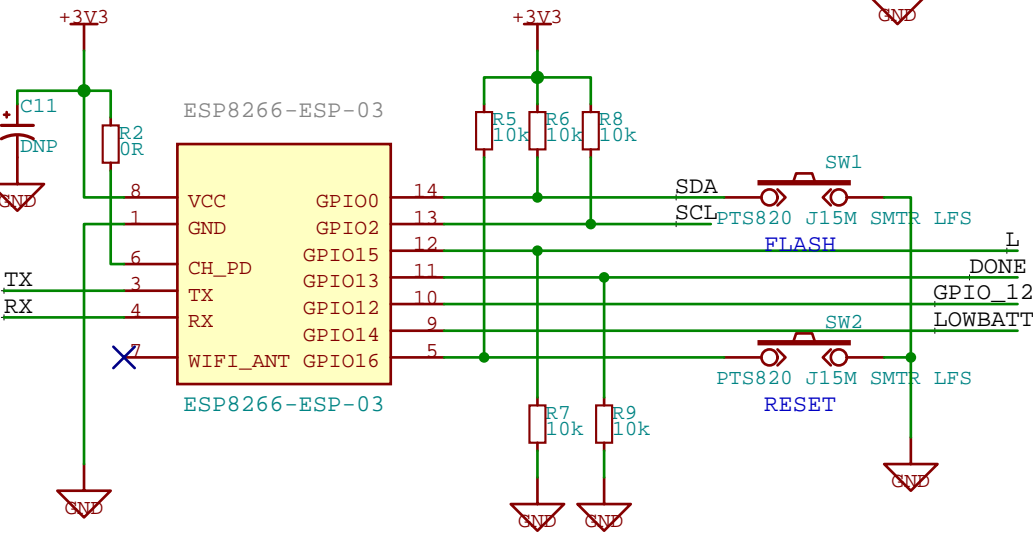
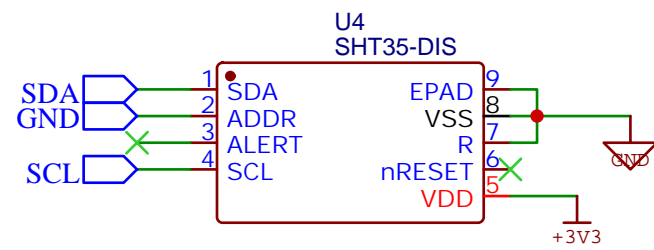
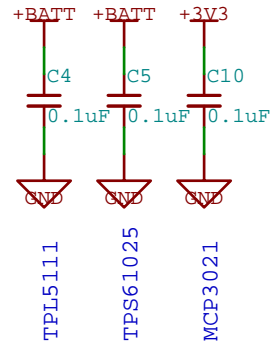


According to the datasheet:
140k and 174k in parallel
means 20mins interval

power save mode:
PS -> BATT: disabled
PS -> GND : enabled



PROGRAM & UART PORT