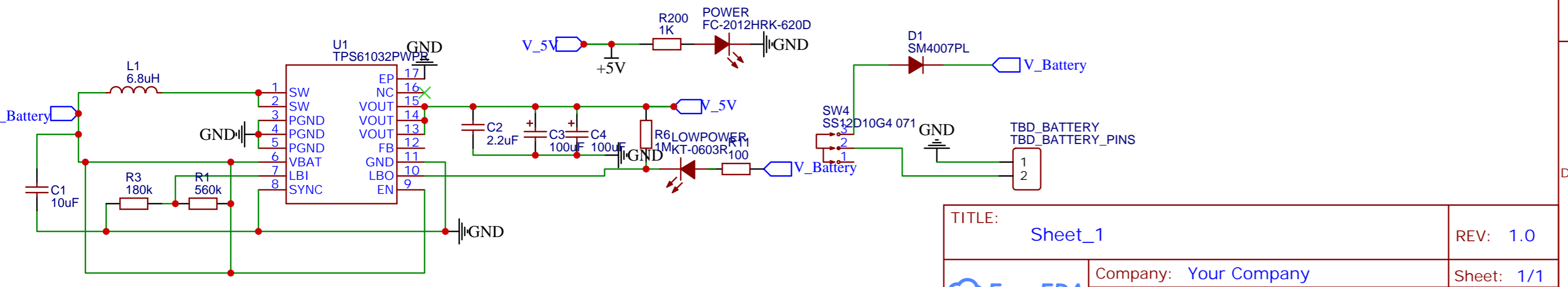
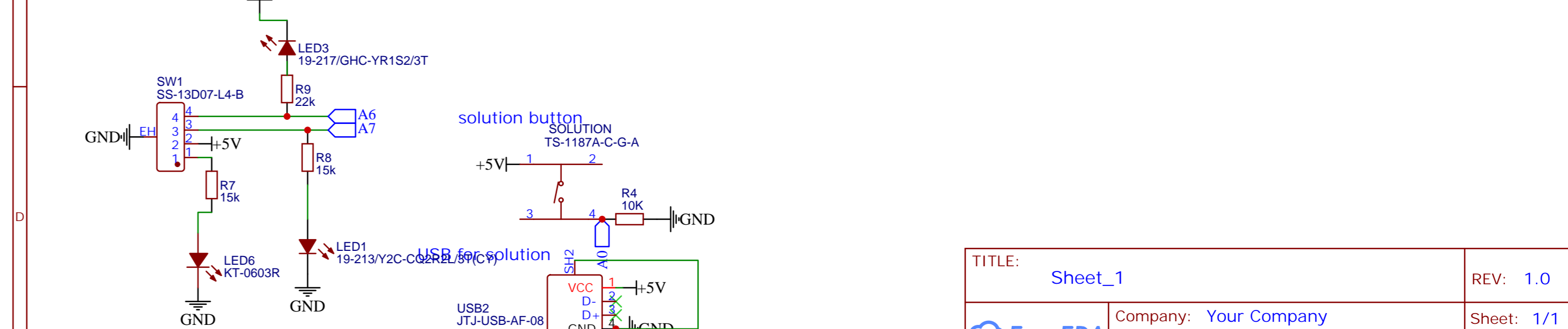
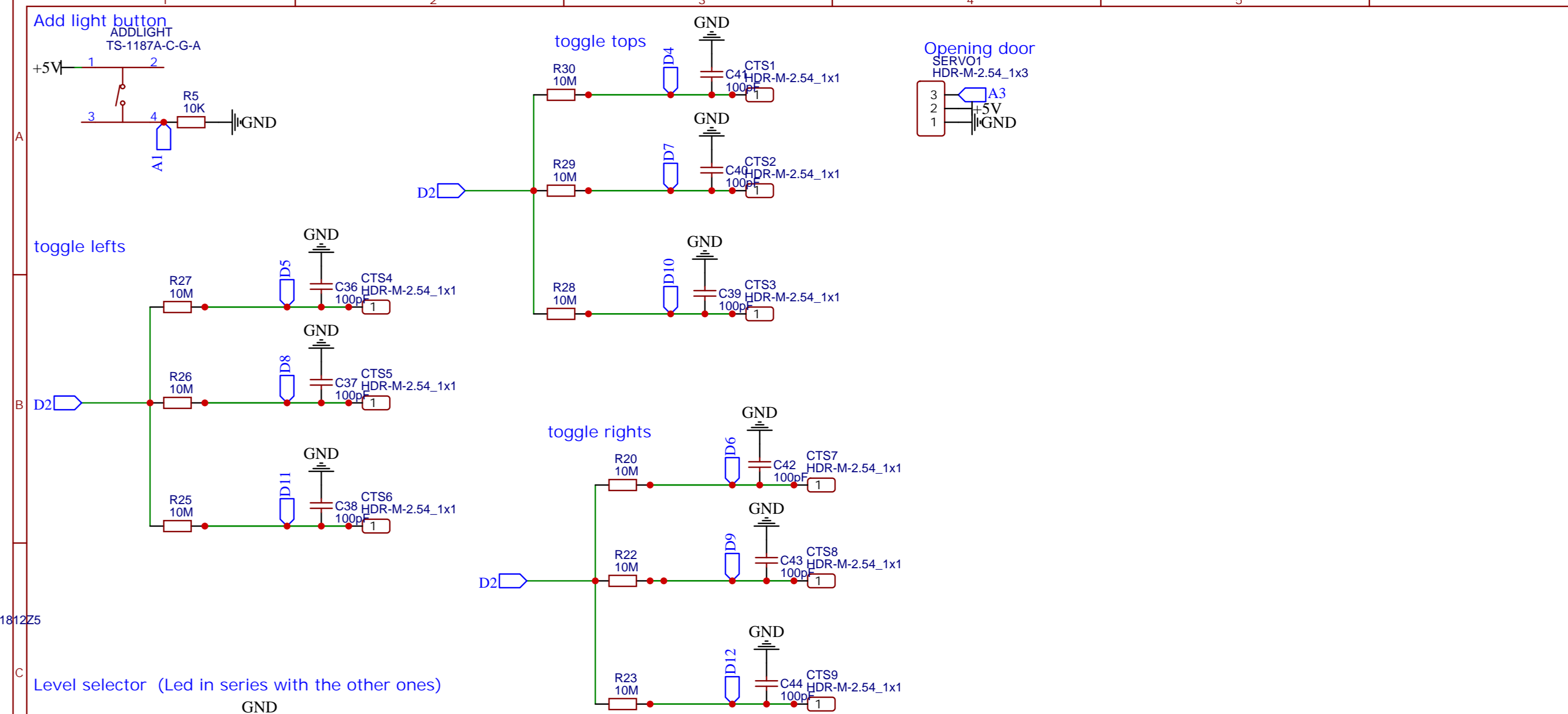


Battery 2XAA



TITLE:	Sheet_1	REV:	1.0
Company:	Your Company	Sheet:	1/1
Date:	2021-12-19	Drawn By:	



TITLE:	Sheet_1	REV:	1.0
Company:	Your Company	Sheet:	1/1
Date:	2021-12-19	Drawn By:	