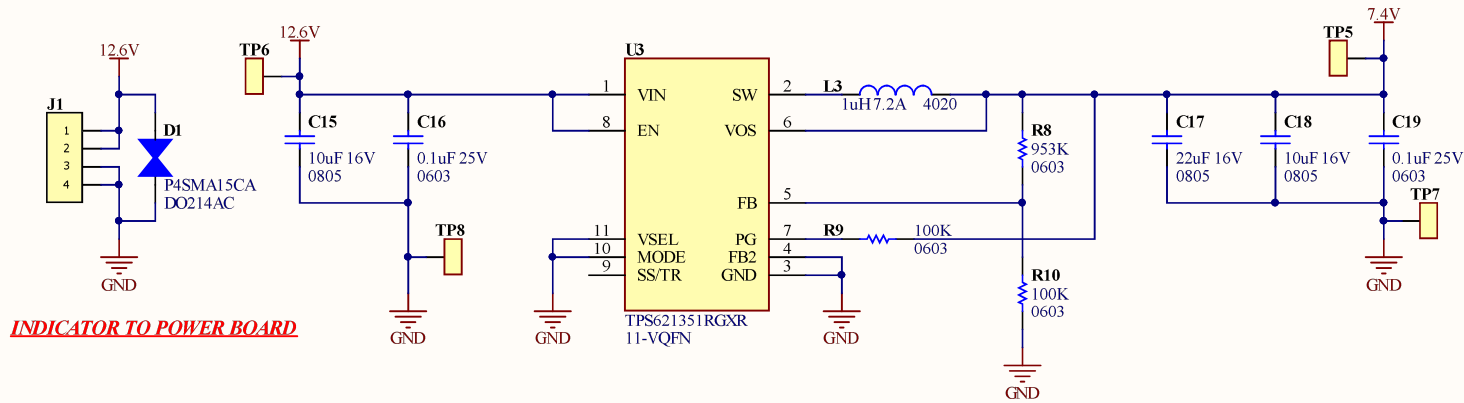


# VIN TO 7.4V



**INDICATOR TO POWER BOARD**

## Bionic Hope Pvt. Ltd.

TITLE: PCB design for upper limb prosthesis

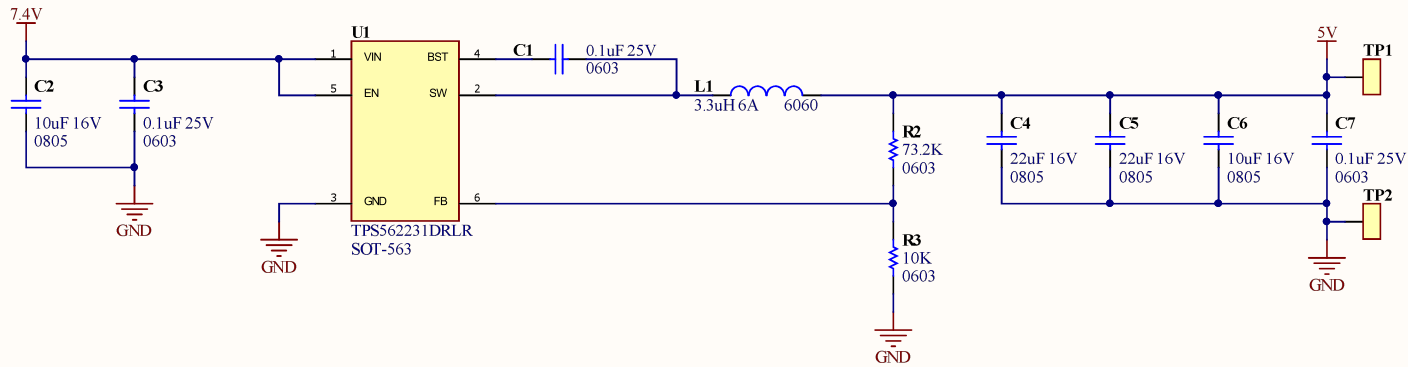
Document Number: **SCH/BH/AE/02** REV: 1.3

Date: 15-Sep-20 12:08:24 PM

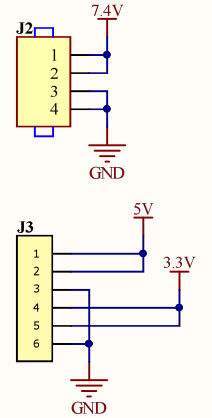
SHEET : 1/3

NOTE: THIS DRAWING AND CONTENTS ARE CONFIDENTIAL AND ARE NOT TO BE COPIED

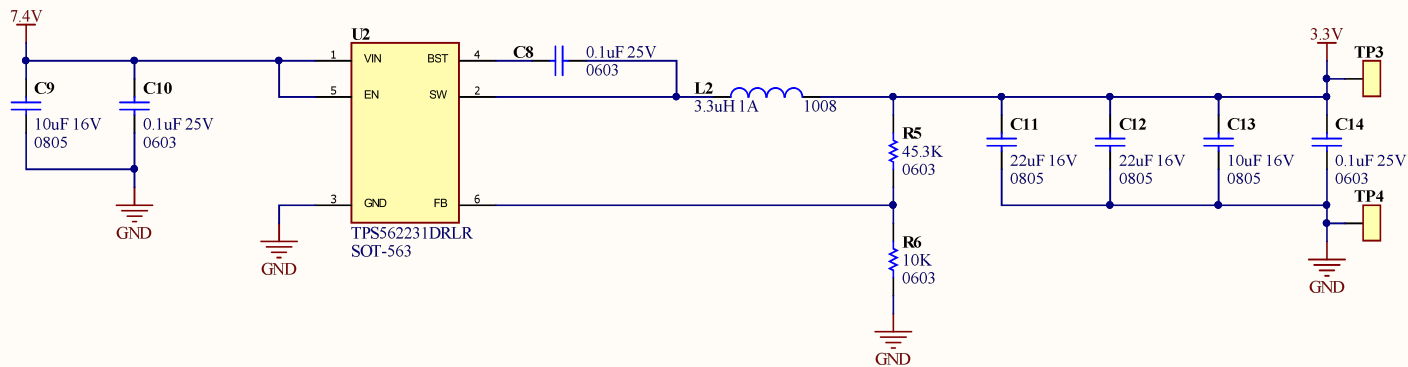
### 7.4V TO 5V



### POWER TO CONTROL BOARD



### 7.4V TO 3.3V



NOTE: THIS DRAWING AND CONTENTS ARE CONFIDENTIAL AND ARE NOT TO BE COPIED

## Bionic Hope Pvt. Ltd.

TITLE: PCB design for upper limb prosthesis

Document Number: SCH/BH/AE/02 REV: 1.3

Date: 15-Sep-20 12:08:24 PM

SHEET : 2/3