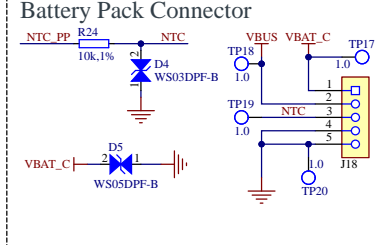
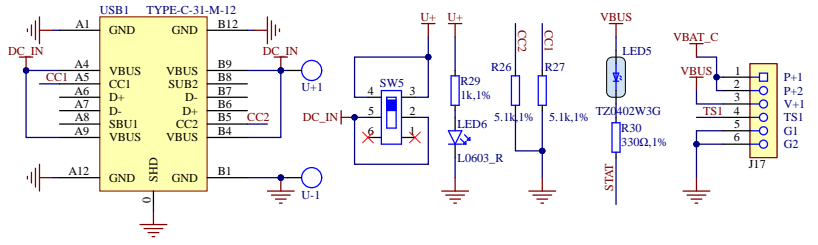
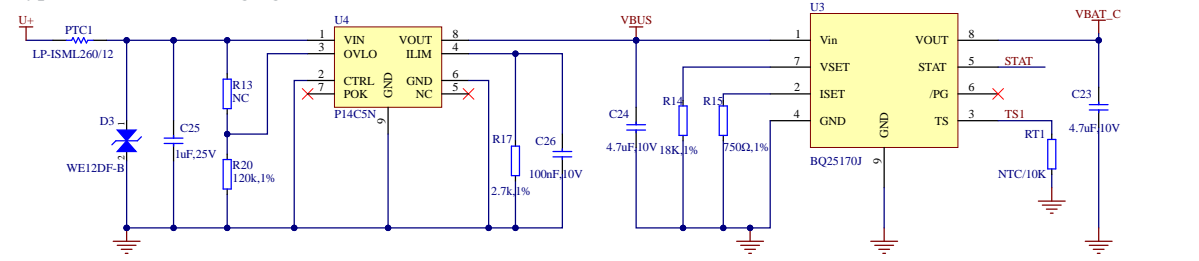
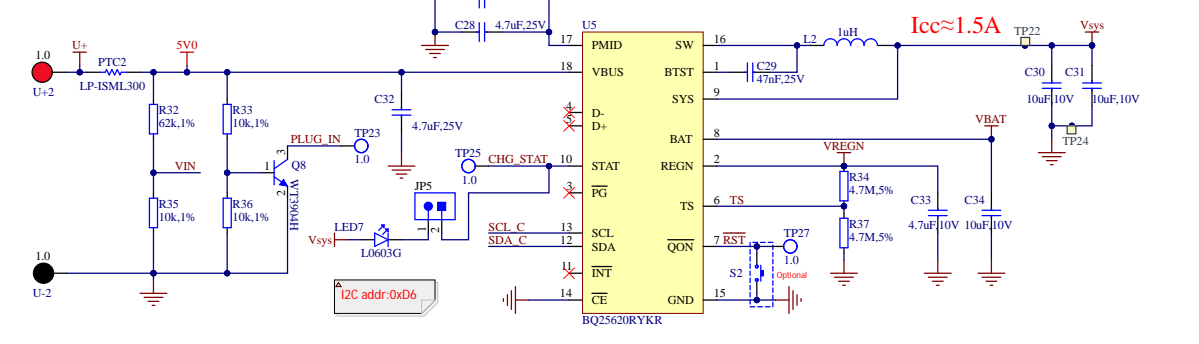


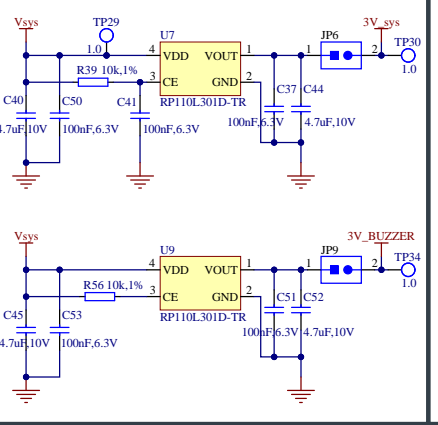
Type-C USB with Charging



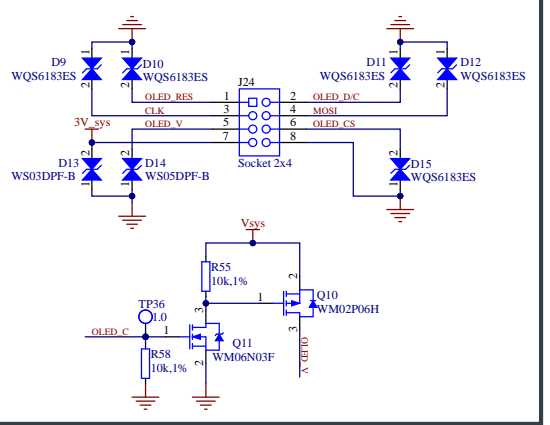
Battery Management



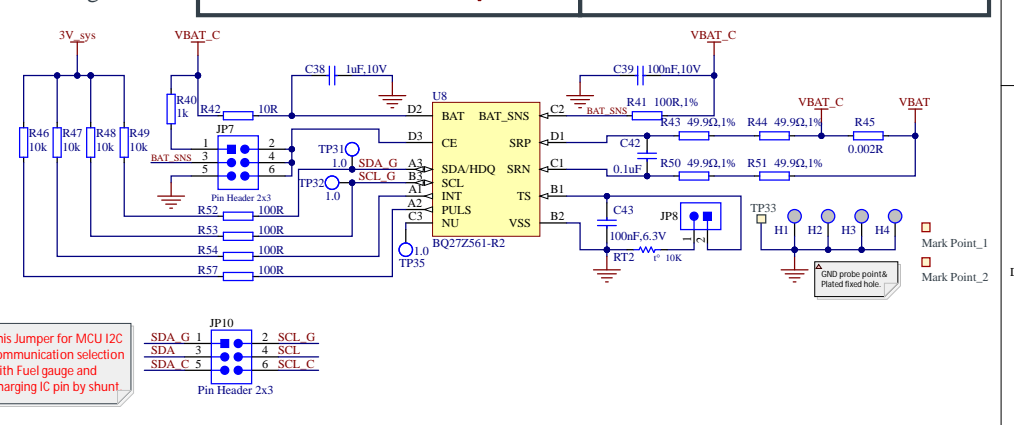
LDOs



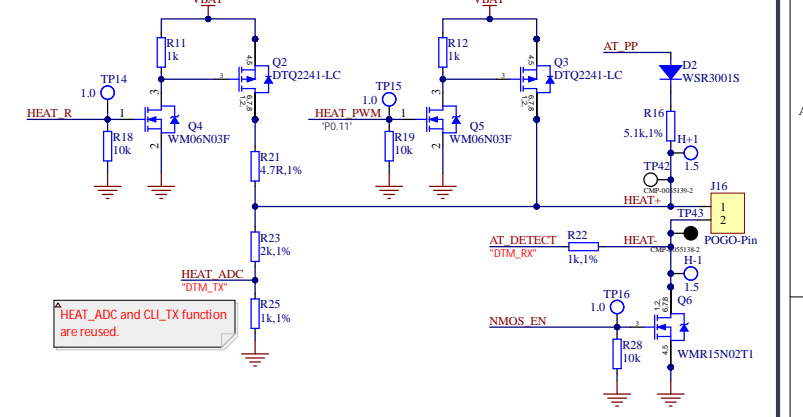
OLED Module



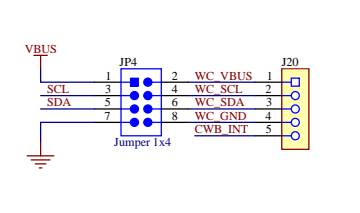
Fuel Gauge



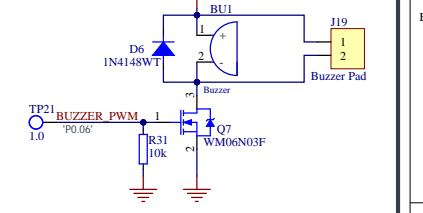
HEATER



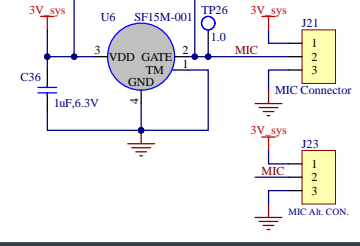
Wireless Charging Module



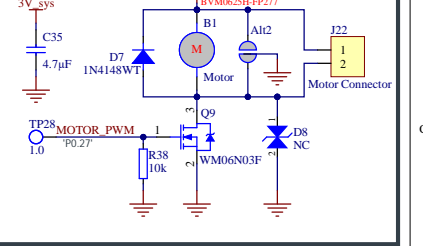
BUZZER



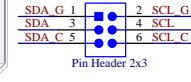
MIC



MOTOR



This Jumper for MCU I2C communication selection with Fuel gauge and Charging IC pin by shunt



Mark Point_1
Mark Point_2