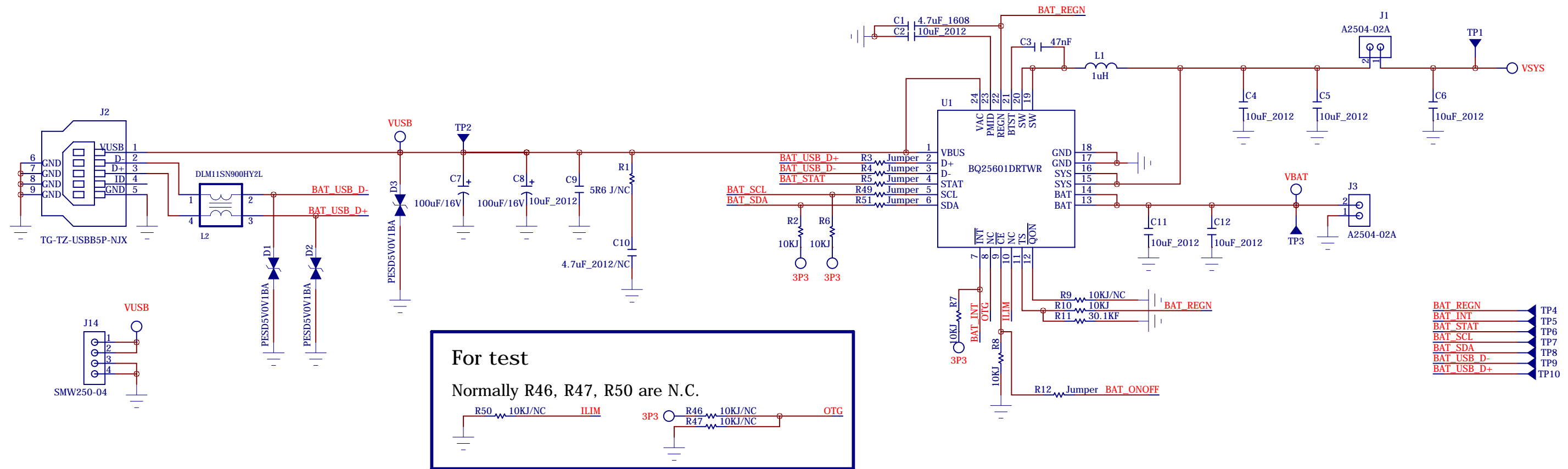
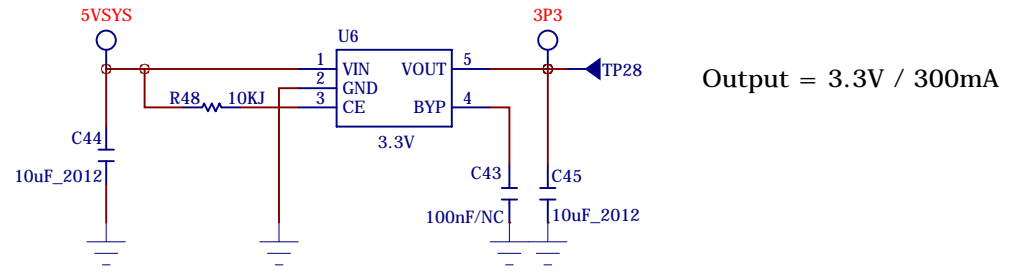
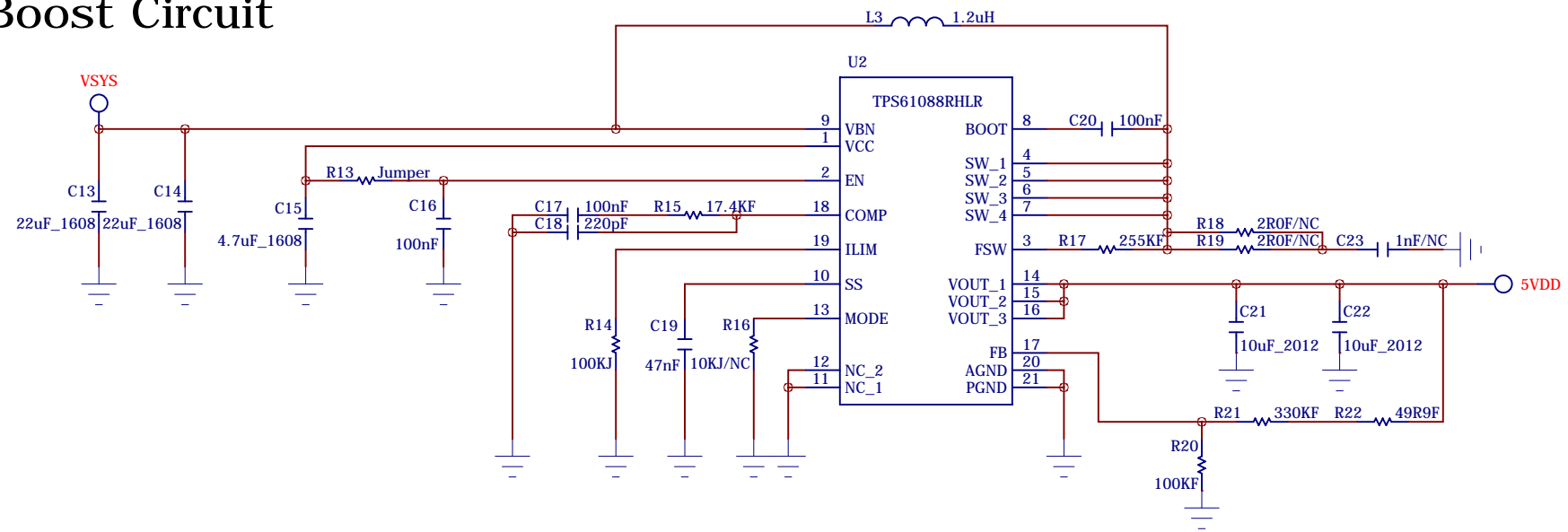


POWER



For test
Normally R46, R47, R50 are N.C.

Boost Circuit



CHARGING STATE	INDICATOR
Charging in progress	LOW
Charging complete	HIGH
Sleep mode, charge disable	HIGH
Charge suspend	Blinking at 1 Hz