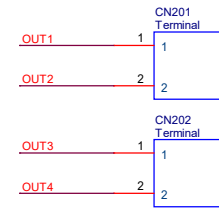
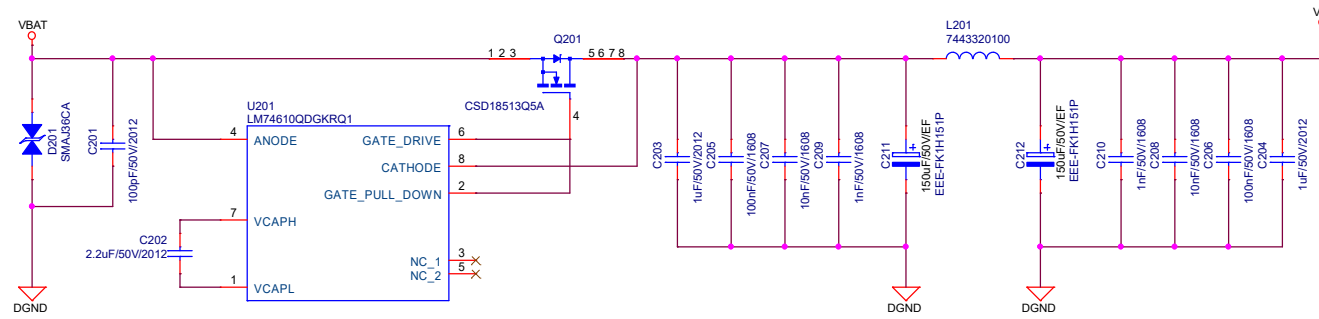
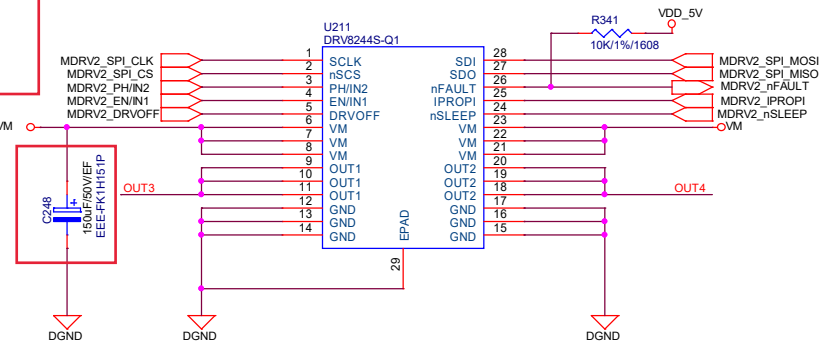
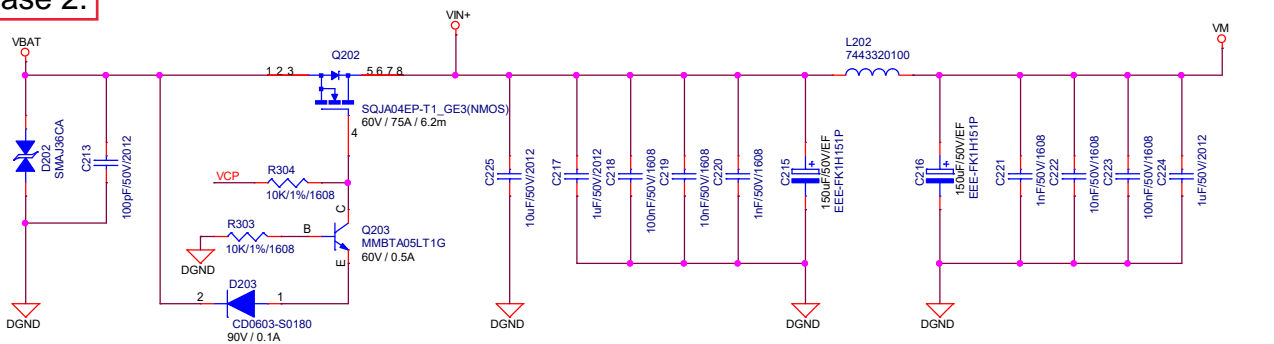


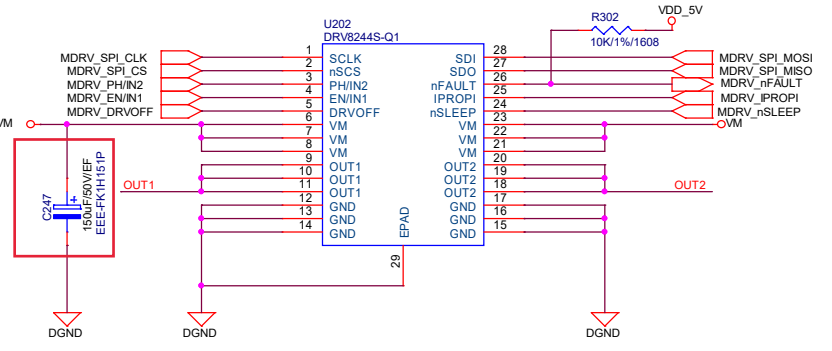
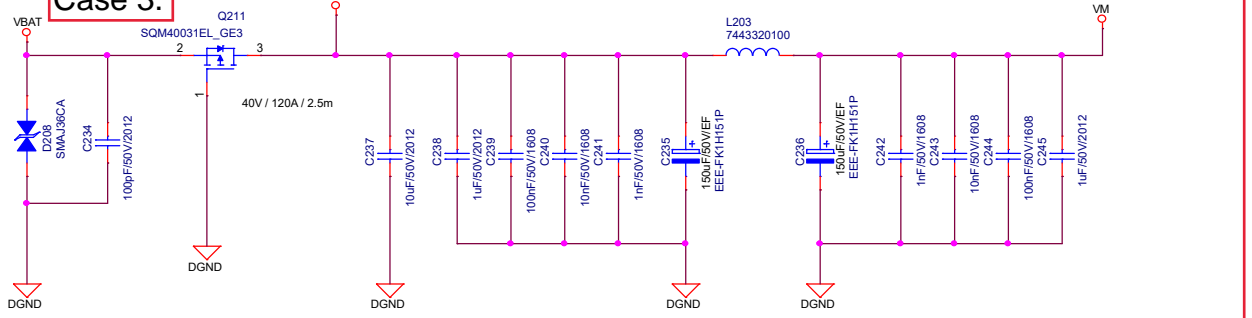
Case 1.



Case 2.



Case 3.



Title : KCM_LegSupport	
Sub Title : Motor Driver	
Drawn : 김민규	Checked :
Size : A3 Rev : 0.1	Sheet : 4 of 5
DWG NO. :	Date : 2022.01.17