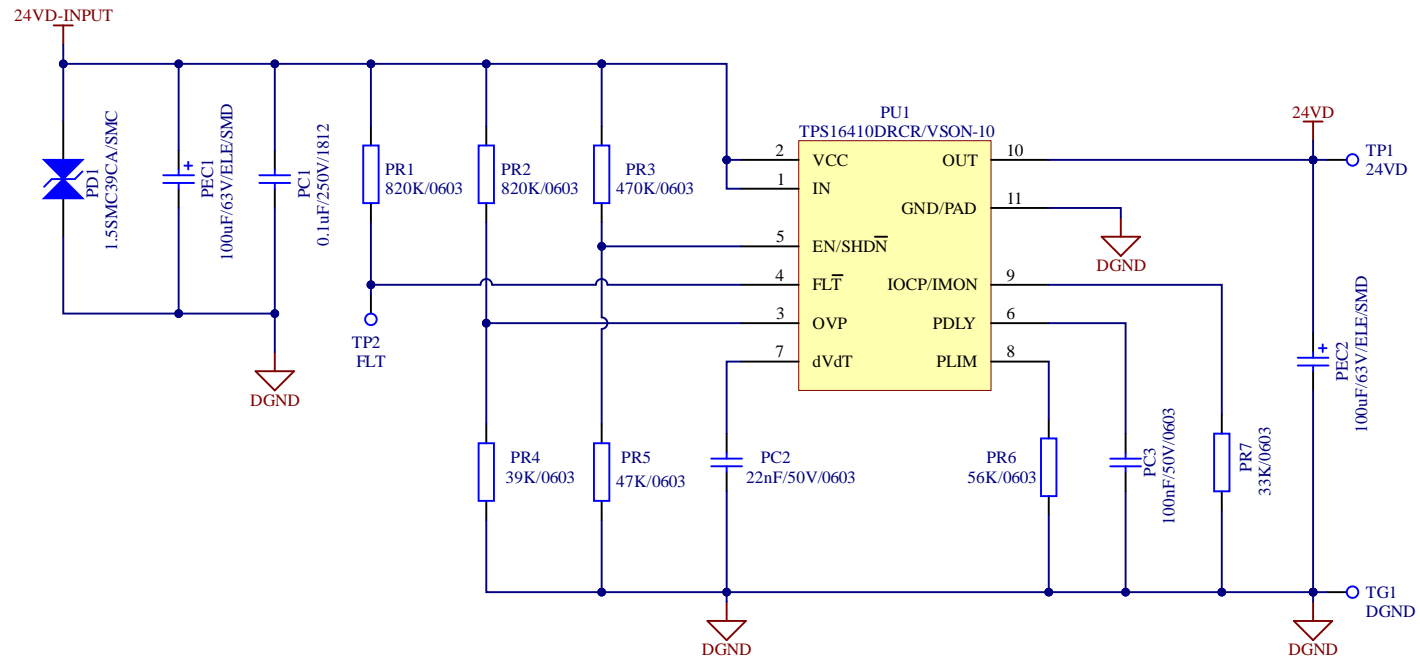


# POWER SUPPLY PROTECTION SECTION



Comment	Description	Designator	Footprint	LibRef	Quantity
---------	-------------	------------	-----------	--------	----------