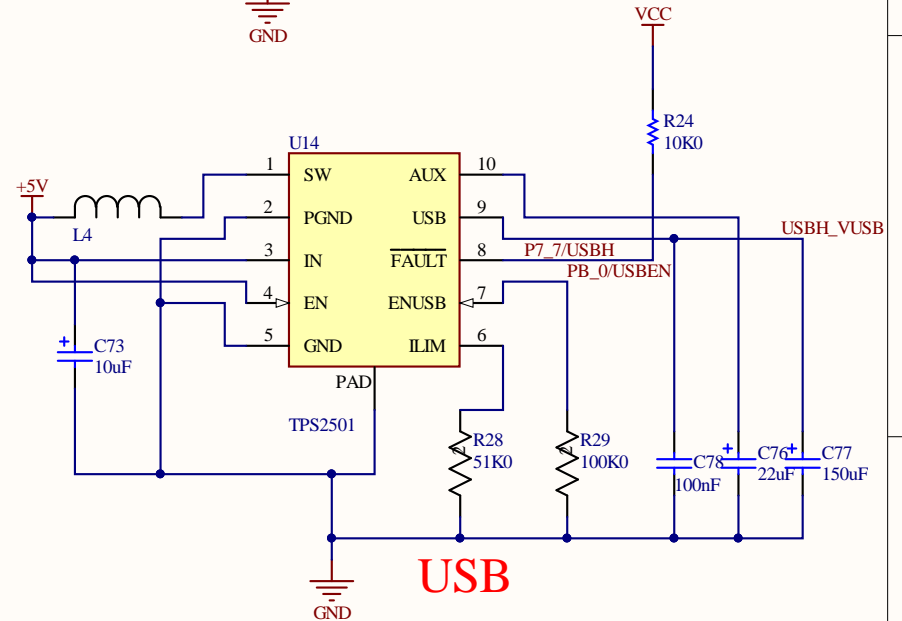
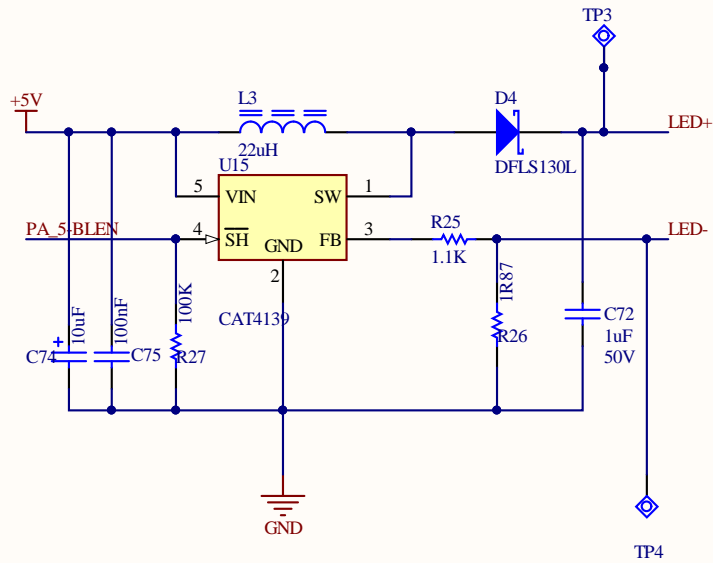
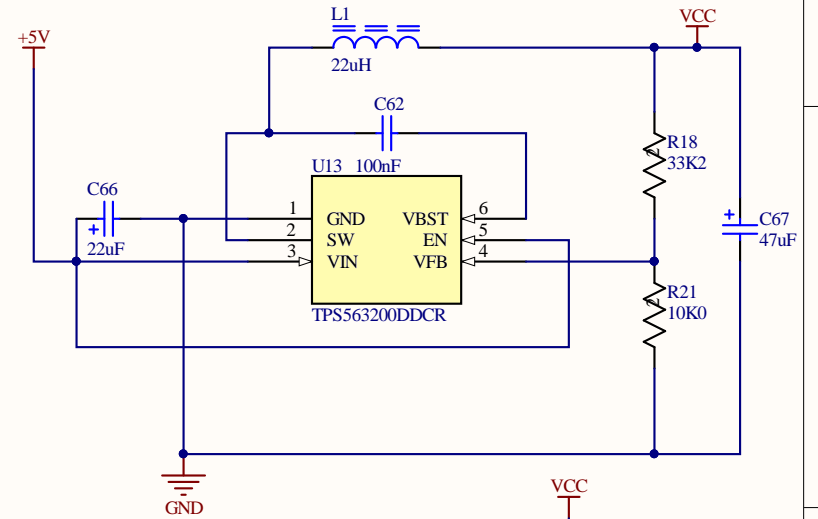
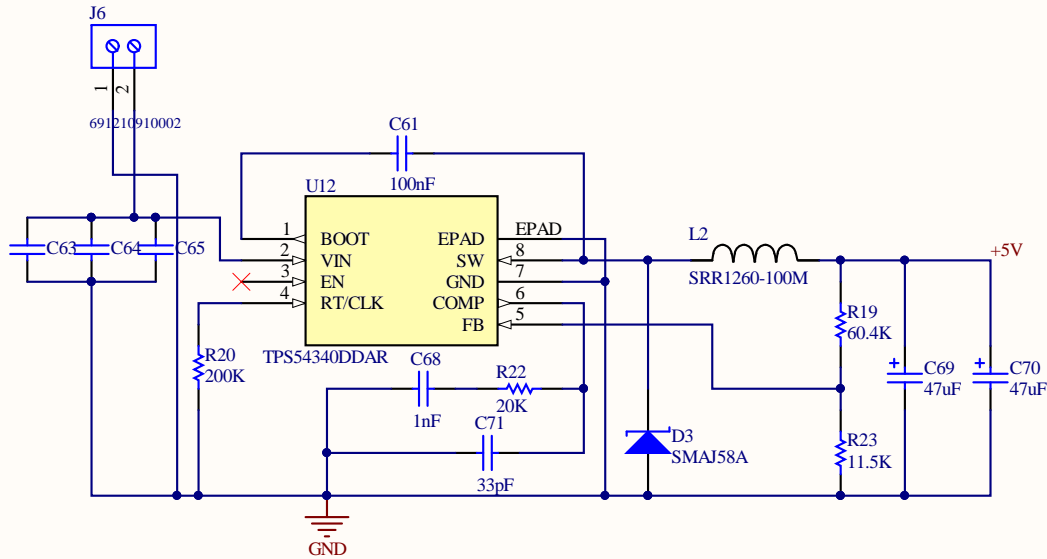


# POWER SUPPLY UNIT



USB

Title		
Size	Number	Revision
A		
Date:	2/28/2020	Sheet of
File:	C:\Users\...\Sheet10_POWER.SchDoc	Drawn By:

Boards