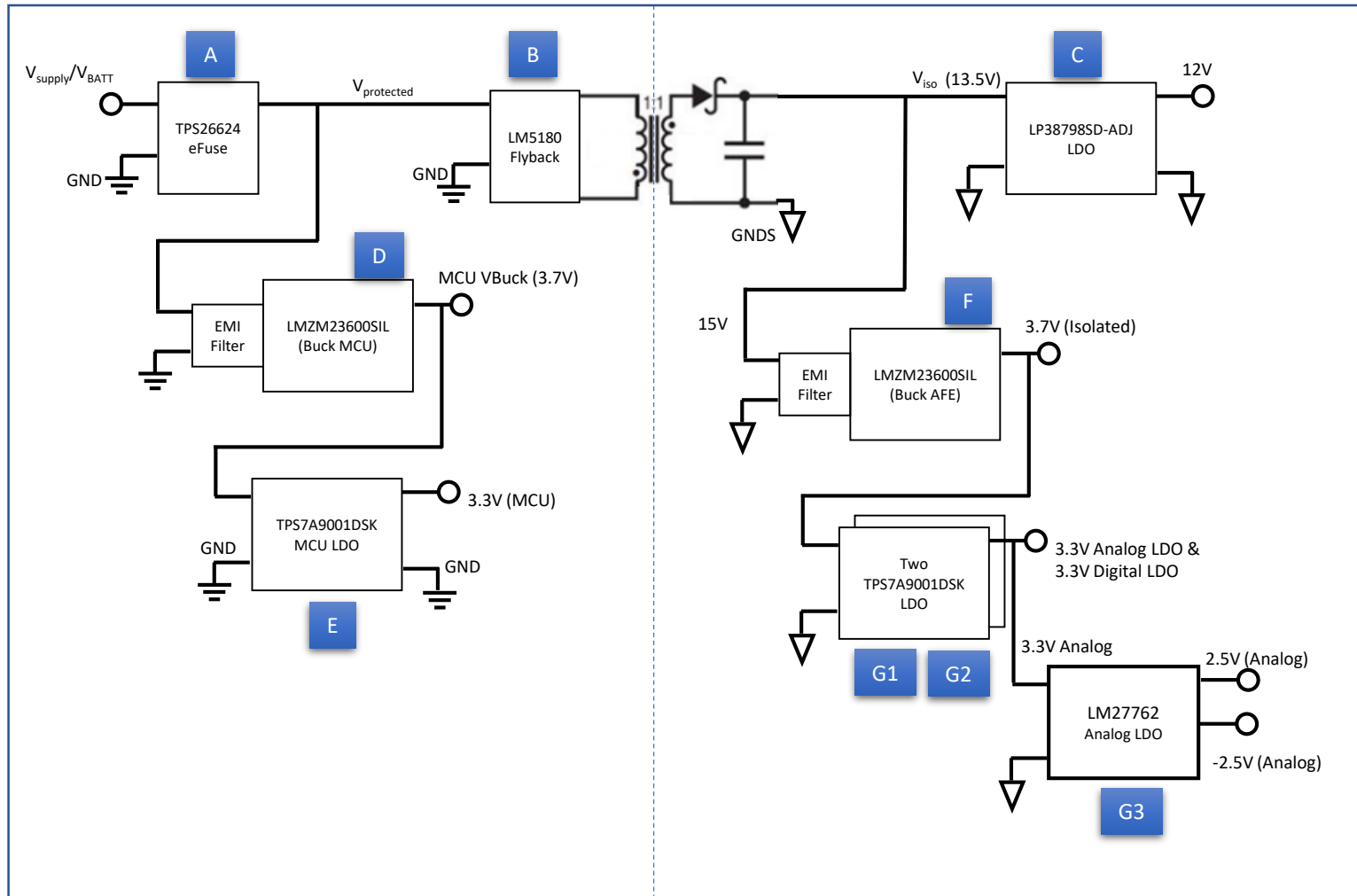


## Power System (for MCU and Isolated Analog)



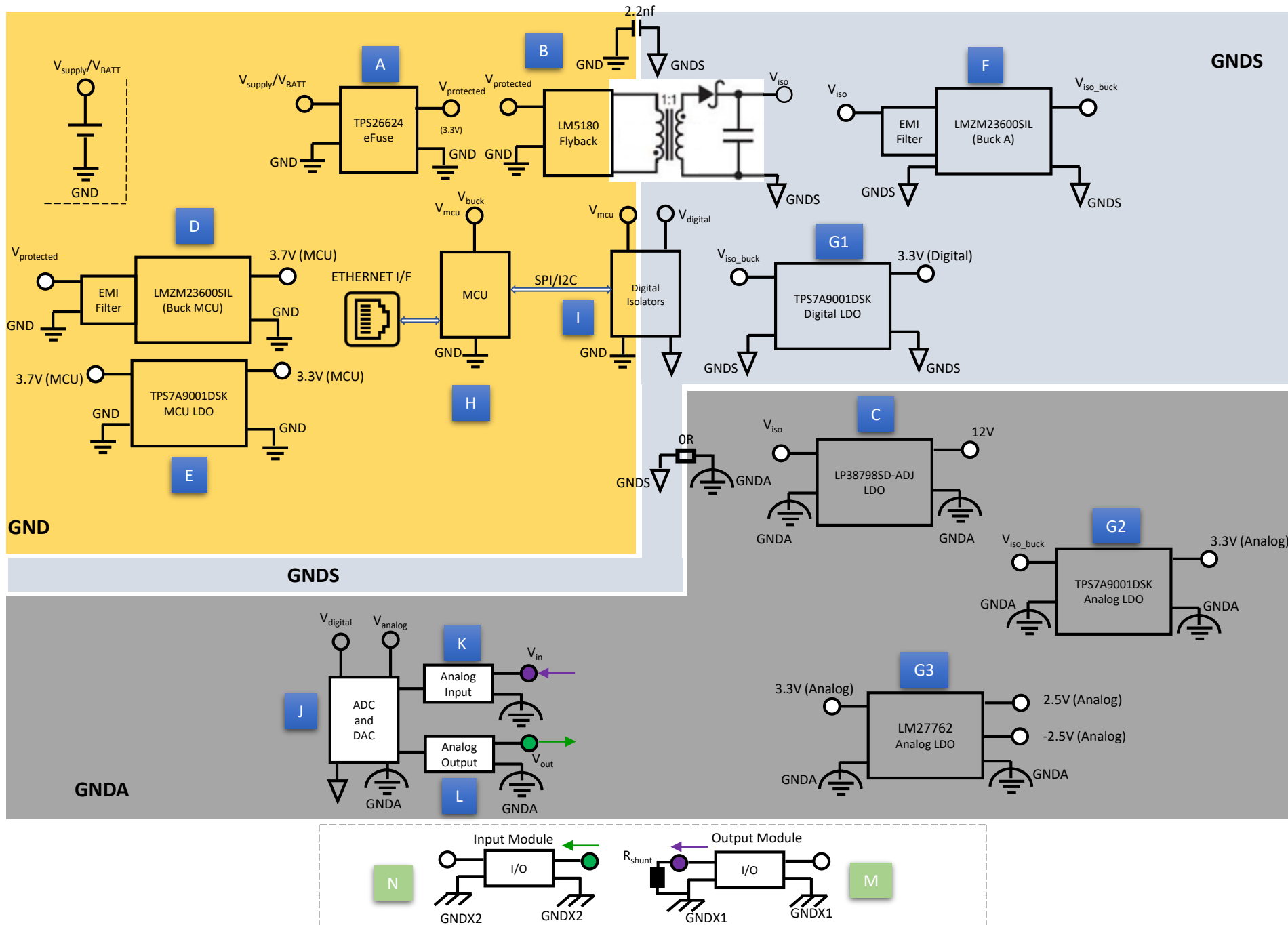
MCU

Analog Front End

### TI Products

ADS124S08IPBSR  
 DAC8771RGZ  
 ISO1540QDRQ1  
 ISO7740DBQ  
 ISO7741DBQ  
 LM27762  
 LM5180-Q1NGU  
 LMZM23600SIL  
 LP38798SD-ADJ\_NOPB  
 MSP432E401YPDT\_A  
 TMP117MAIDRVR  
 TPD4E1B06DCK  
 TPS26624DRCT  
 TPS7A9001DSK

- A** TPS26624 eFuse
- B** Isolated LM5180 Flyback
- C** Isolated DAC LDO (12V)
- D** MCU Buck (3.7V)
- E** MCU LDO (3.3V)
- F** Isolated Buck for LDOs (3.7V)
- G** 3 Isolated LDOs (3.3V)



**TI Products**

- ADS124S08IPBSR
- DAC8771RGZ
- ISO1540QDRQ1
- ISO7740DBQ
- ISO7741DBQ
- LM27762
- LM5180-Q1NGU
- LMZM23600SIL
- LP38798SD-ADJ\_NOPB
- MSP432E401YPDT\_A
- TMP117MAIDRVR
- TPD4E1B06DCK
- TPS26624DRCT
- TPS7A9001DSK

- A** TPS26624 eFuse
- B** Isolated LM5180 Flyback
- C** Isolated DAC LDO (12V)
- D** MCU Buck (3.7V)
- E** MCU LDO (3.3V)
- F** Isolated Buck for LDOs (3.7V)
- G** 3 Isolated LDOs (3.3V)
- H** MCU
- I** Digital Signal Isolators
- J** ADC and/or DAC
- K** Analog Input Interface Circuit
- L** Analog Output Interface Circuit
- M** External Current Source
- N** External Analog Input Module