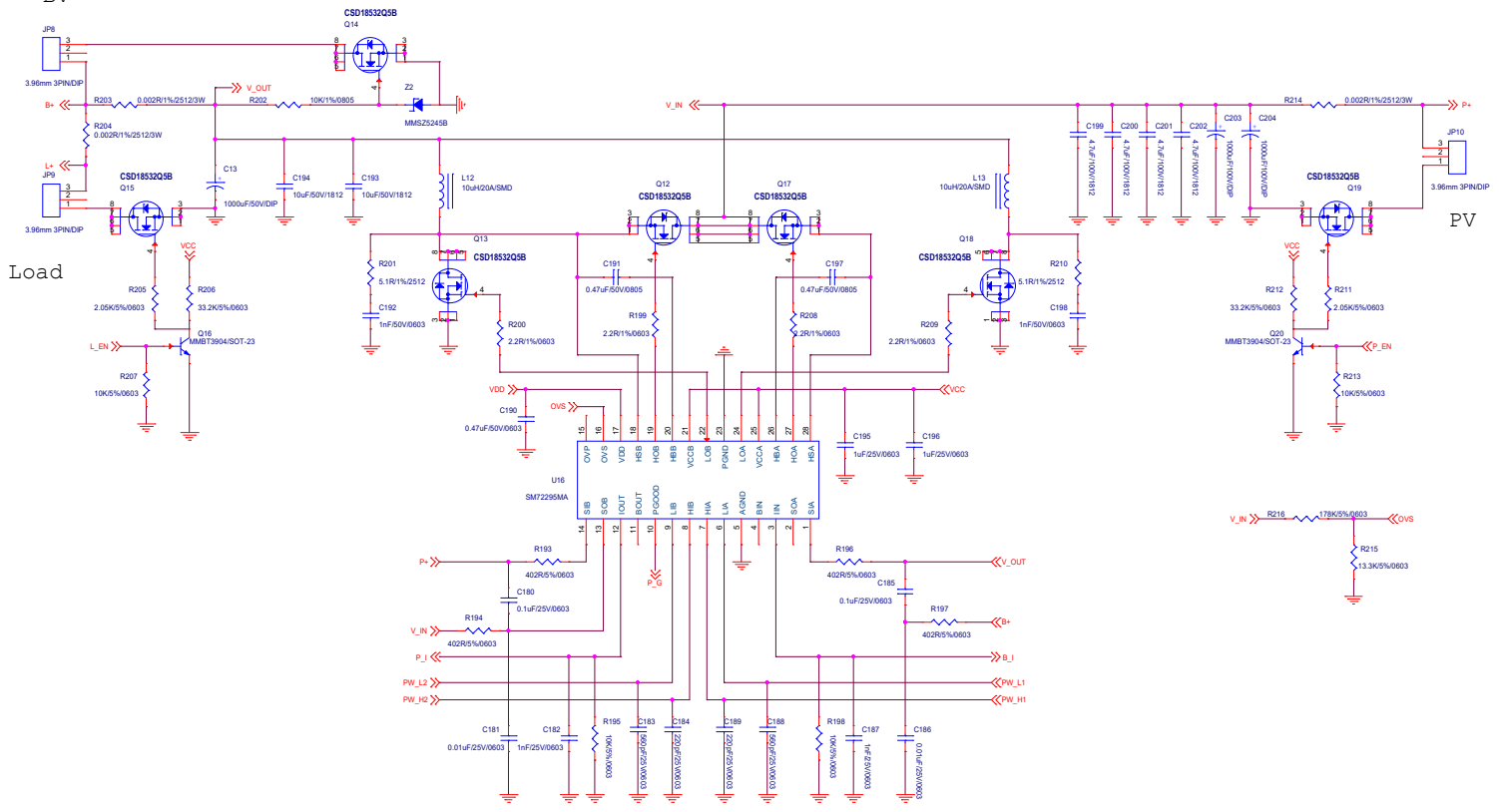


File	<Title>	
Size	Document Number	Rev
	<Doc>	<Rev>
Date:	Thursday, June 07, 2018	Sheet 1 of 2

BV

Load

PV



File	<File>		Rev
Size	Document Number		<Rev>
Code	<Doc>		
Date:	Thursday, June 07, 2018	Sheet	2 of 2