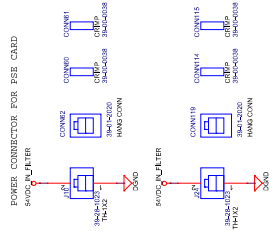
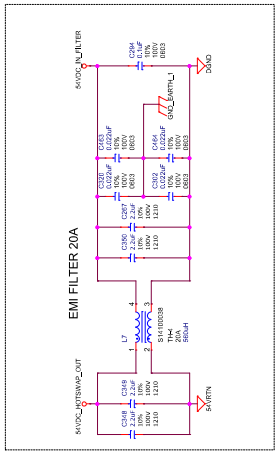
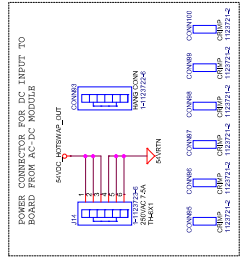
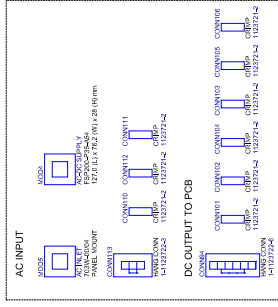
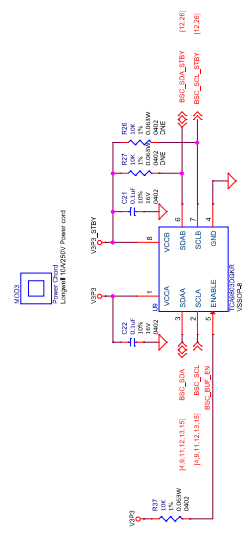
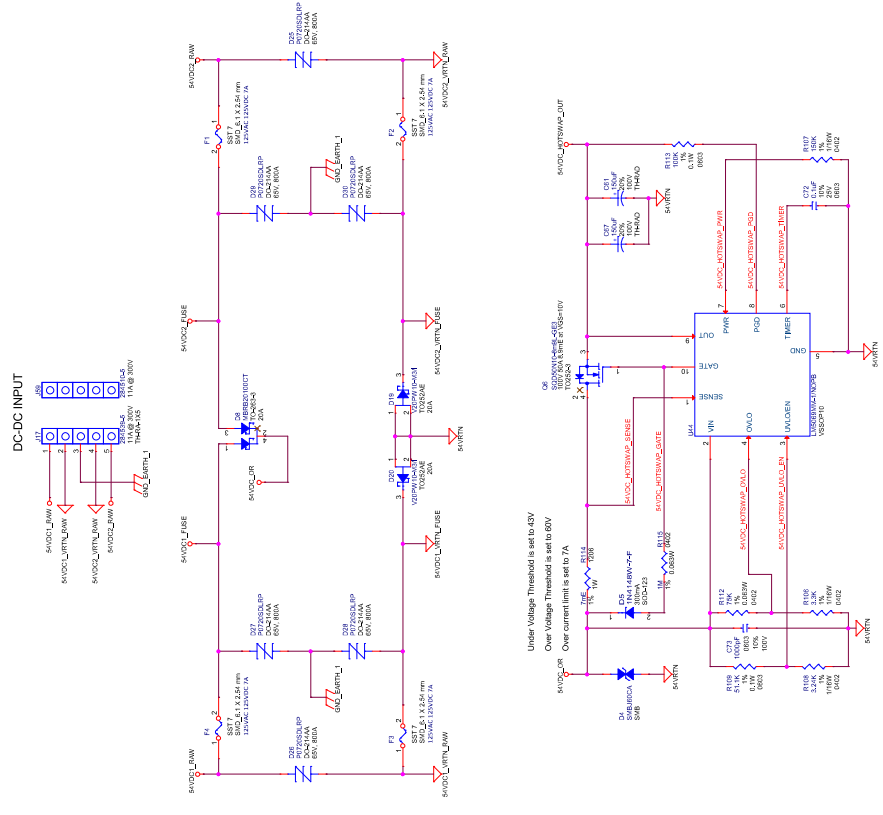
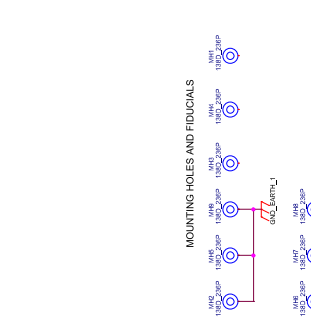
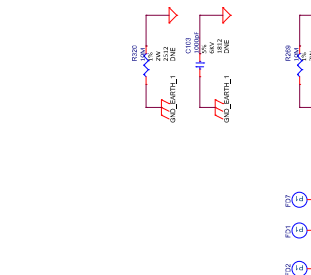
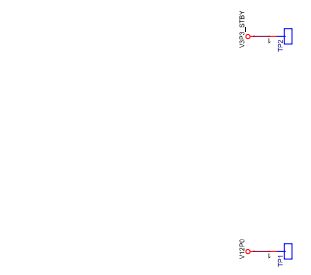
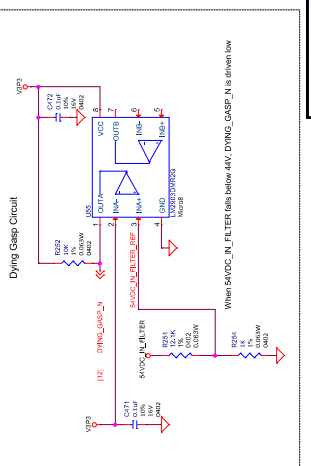
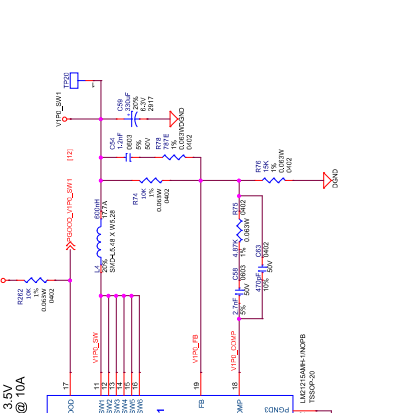
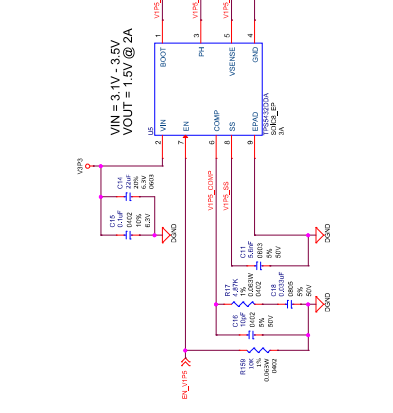
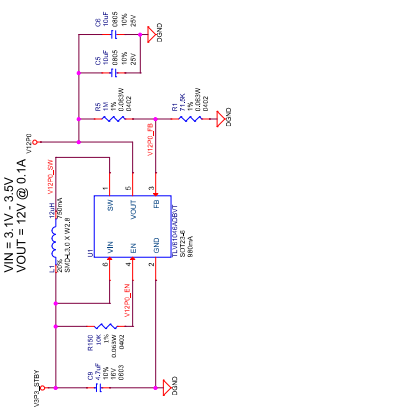
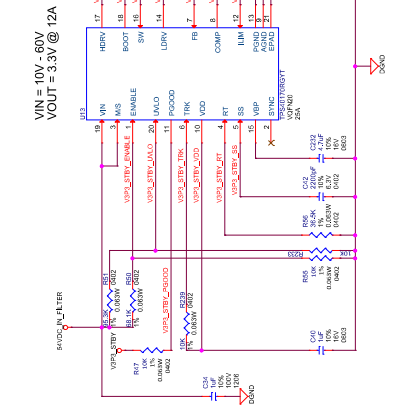


### DC-DC Power Input Section





Company:	INVENTI Nvati Systems Pte Ltd, Singapore, NDA
Page Title:	POWER SUPPLY-V1
Drawn By:	JU
Scale:	Custom
Date:	Tuesday, February 18, 2020
Rev:	Rev.16
Sheet:	Sheet 24 of 29
Checked By:	JDRRC
Design No.:	NSP03CASC04REV1.2