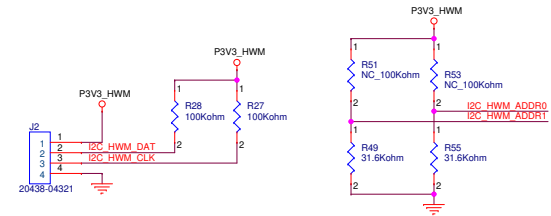
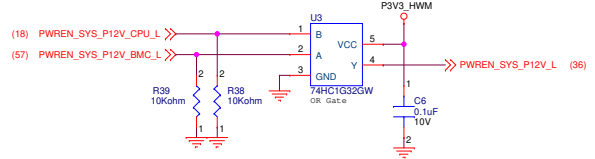
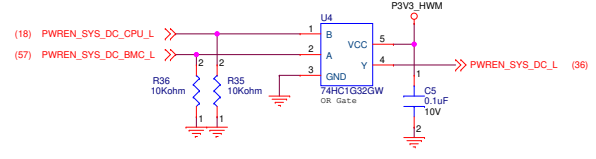
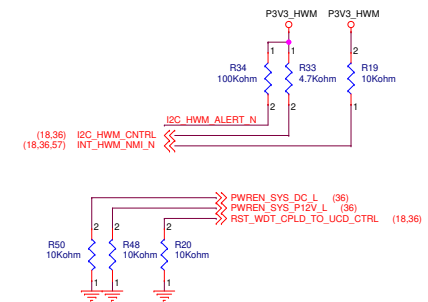
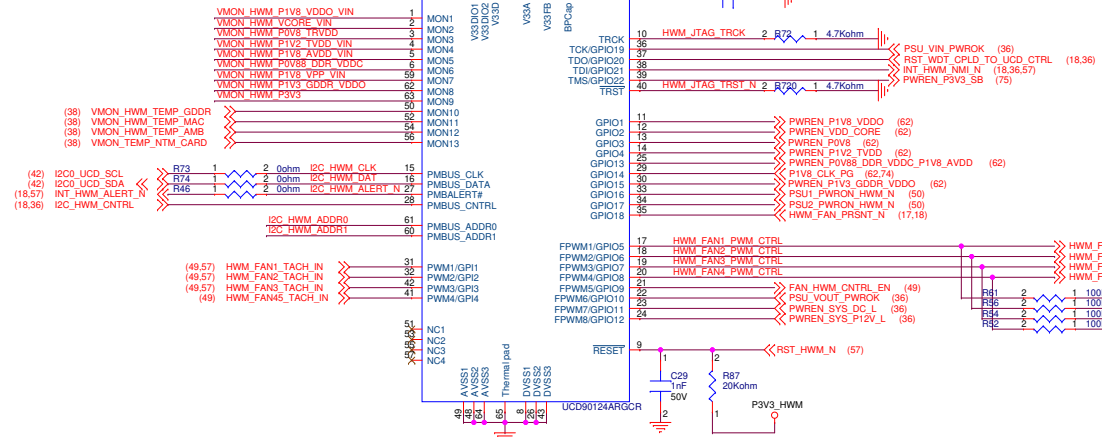
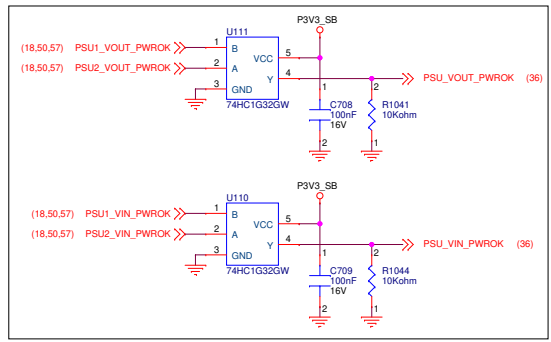
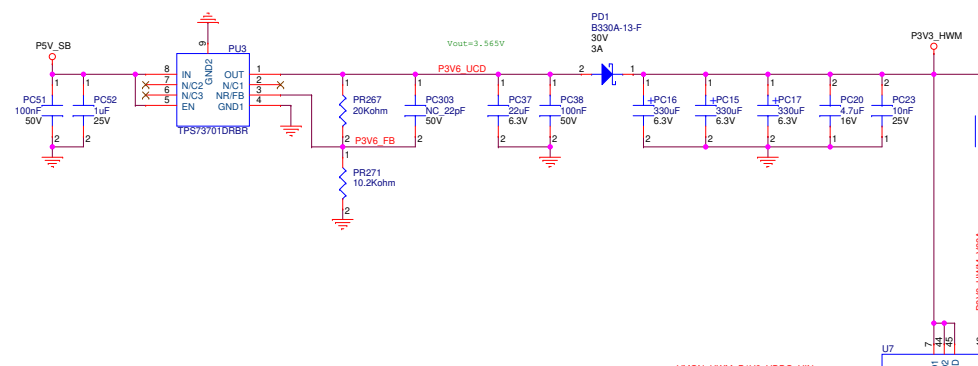
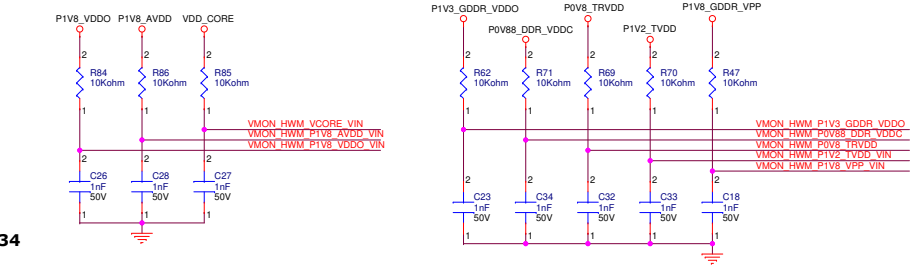


HWM MONITOR_UCD90124A

- * mean control by UCD
- P5V_SB
 - P3V3_SB (P3V3_SB/P3V3_OCXO/P3V3_HWM)
 - P12V
 - P5V (P3V3_AUX/P3V3_CLK)
 - P3V3
 - P1V8_CLK
 - P1V8_VDDO
 - VDD_Core
 - POV8_PVDD/POV8_TRVDD
 - P1V2_TVDD/POV9_FPGA/P1V03_FPGA
 - P1V8_AVDD/POV88_DDR_VDDC
 - P1V8_GDDR_VPP
 - P1V3_GDDR_VDDC/P1V3_GDDR_VDDO



PMBus Add: 12x4+4=52 0x34



Title		
36. HWM MONITOR_UCD90124A		
Size	Document Number	Rev
C	T990297T00	005
Date:	Thursday, March 25, 2021	Sheet 36 of 81