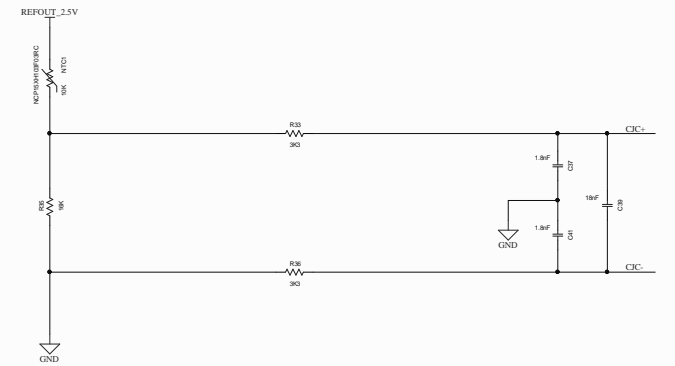
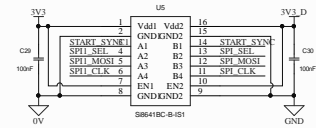
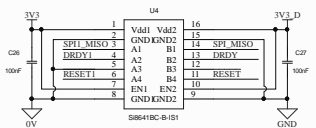
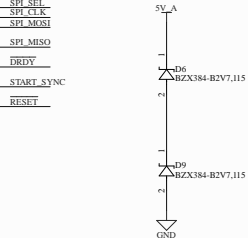
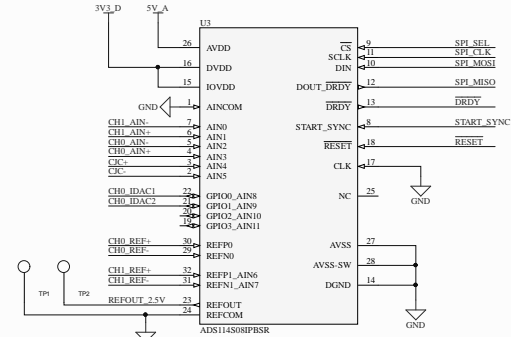
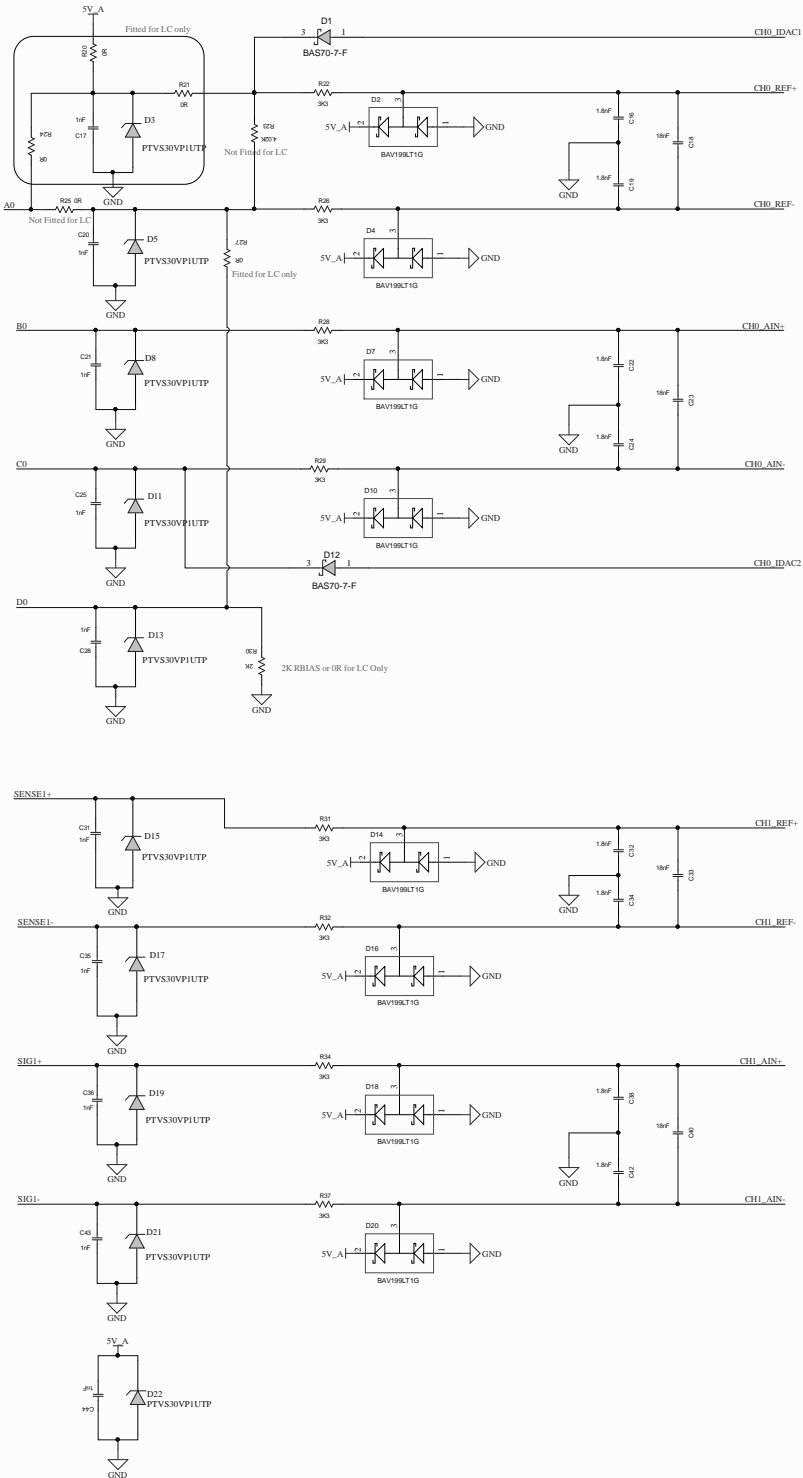
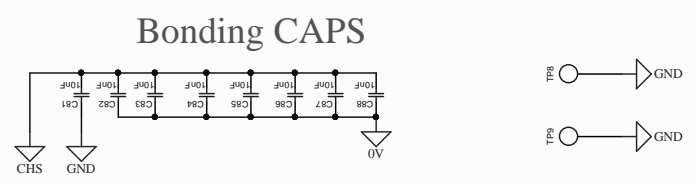
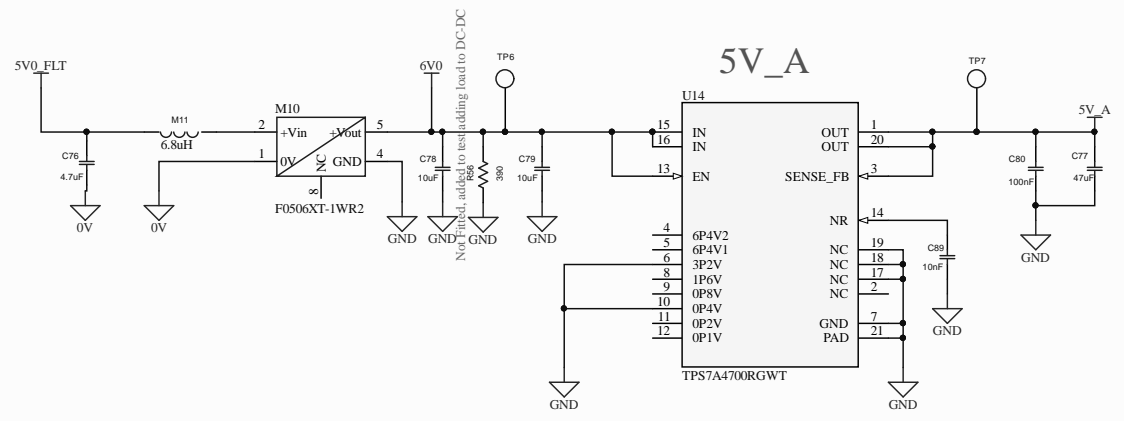
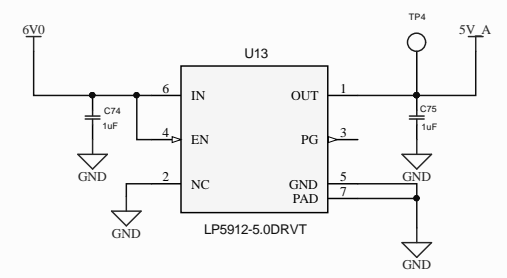
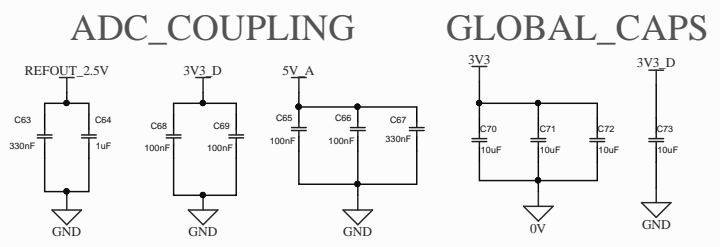
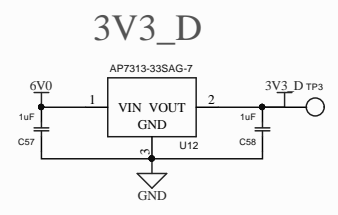
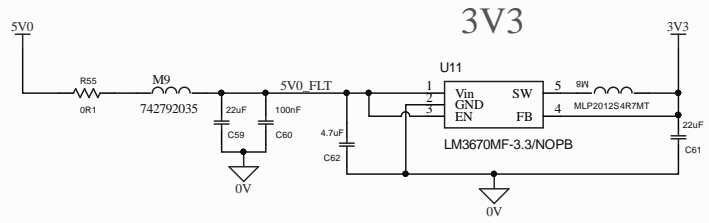


Title		
Size	Number	Revision
A4		
Date:	18/04/2019	Sheet of
File:	Z:\ACCEL\...\SL_SENSOR_ECAT_CONN.DrAschDoc	

# Important Note



Title		
Size	Number	Revision
A2		
Date:	18/04/2019	Sheet 03
File:	Z:\ACCEL\SL_SENSOR_EC&T_INF\Diagrams	



Title		
Size	Number	Revision
B		
Date:	18/04/2019	Sheet of
File:	Z:\ACCEL\...SL SENSOR ECAT PSU	Sheet of