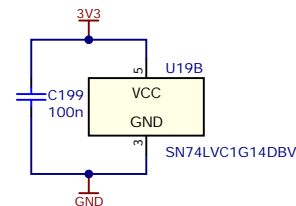
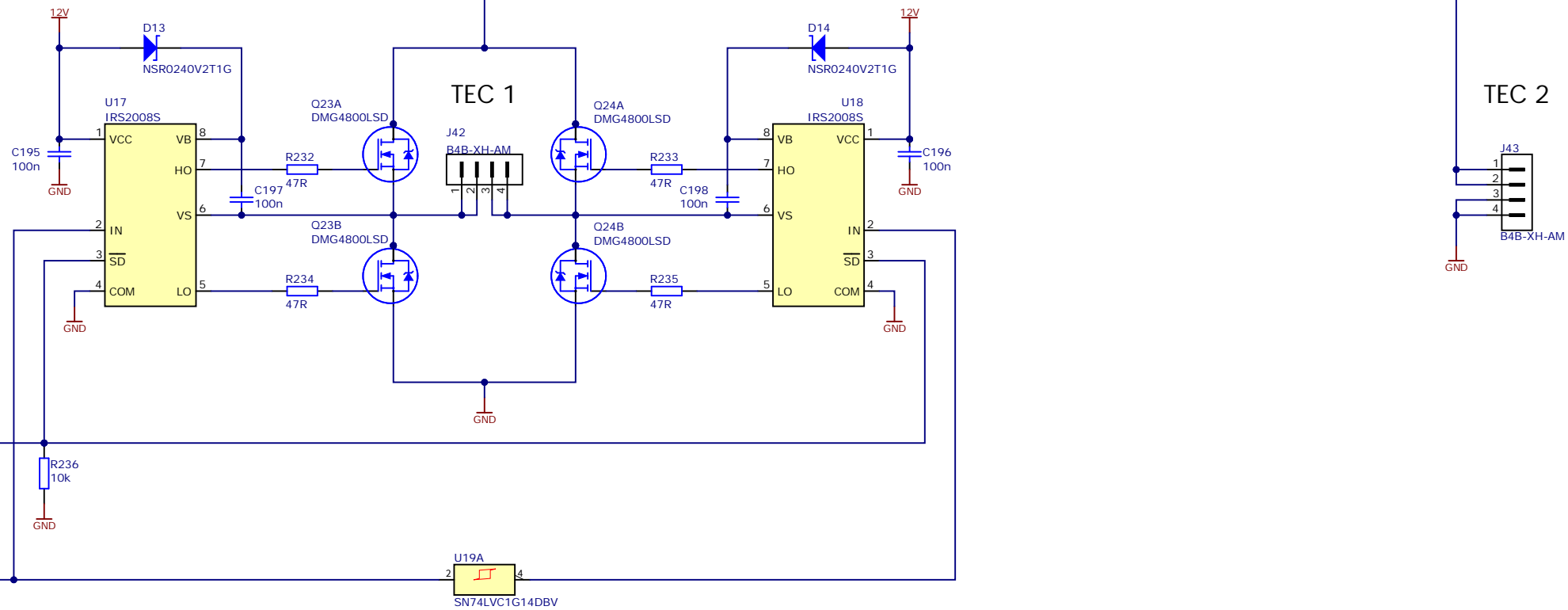
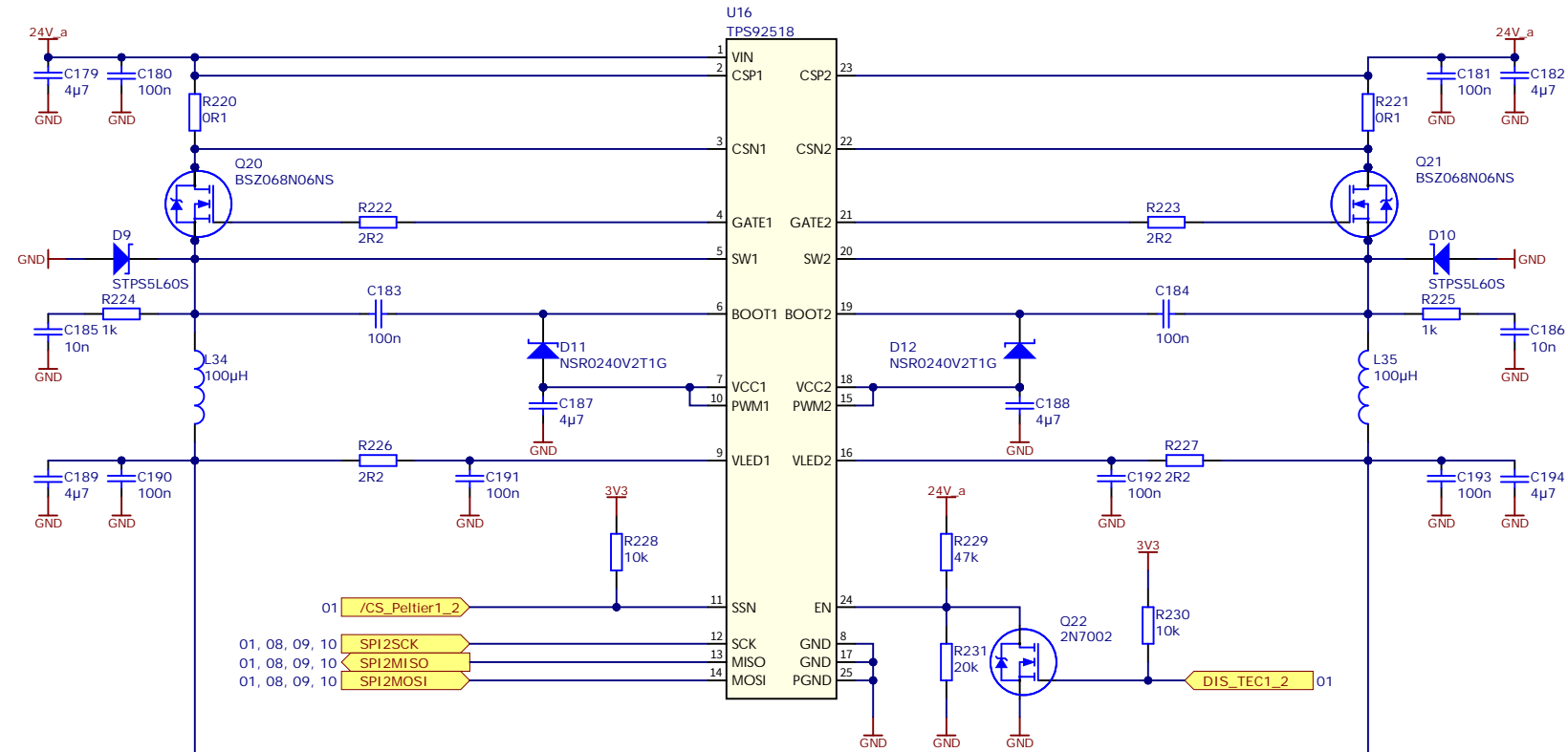


Current Source TEC 1+2



		Garstligweg 6 CH-8634 Switzerland		Title Sheet TEC Driver 1+2	
Size	Document Number	Doc. Type	Rev.	Approval	Date
A3	HAW-0005025	-SCH	A	Engineer: FaSc	2020-05-18
Date: 11.06.2020	Time: 14:24:42	Sheet 11 of 11	Checked by: ReHi	Engineer: FaSc	2020-05-18
				Checked by: ReHi	2020-06-15