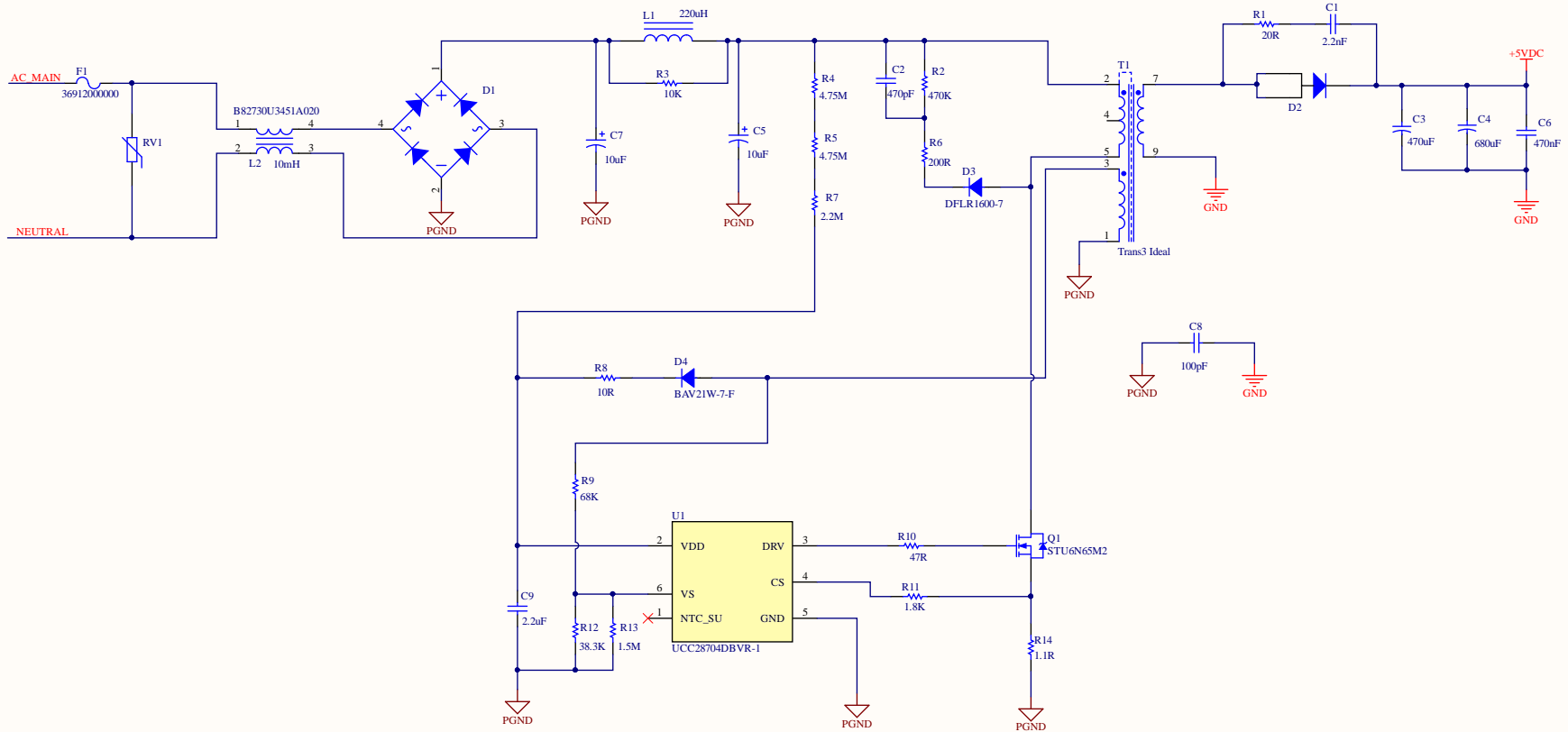


FLYBACK SMPS 5V@2A



Title: *	
Document Name:	Revision:
Size: A3	Drawn By: *

Designator	Description	Manufacturer Part Number	Quantity	Supplier Part Number 1
C1	CAP CER 2200PF 50V X7R 0603	C0603C222K5RACTU	1	399-C0603C222K5RAC7867CT-ND
C2	CAP CER 470PF 1KV X7R 1206	VJ1206Y471KXGAT5Z	1	720-VJ1206Y471KXGAT5ZCT-ND
C3	CAP ALUM 470UF 20% 6.3V RADIAL	6.3ZLH470MEFC6.3X11	1	1189-1769-ND
C4	CAP ALUM 680UF 20% 6.3V RADIAL	6.3ZLQ680MEFC6.3X11	1	1189-3597-ND
C5, C7	CAP ALUM 10UF 20% 400V RADIAL	B43851A9106M000	2	495-6020-ND
C6	CAP CER 0.47UF 10V X5R 0603	GRM188R61A474KA61D	1	490-1539-1-ND
C8	CAP CER 100PF 440VAC RADIAL	CD45-B2GA101K-NKA	1	445-174531-ND
C9	CAP CER 2.2UF 50V X7R 0805	C2012X7R1H225K125AC	1	445-5968-1-ND
D1	BRIDGE RECT 1PHASE 600V 1A DB-S	DB105S	1	1655-DB105SCT-ND
D2	DIODE SCHOTTKY 45V 10A TO277B	MBR1045S	1	1655-MBR1045SCT-ND
D3	DIODE GP 600V 1A POWERDI123	DFLR1600-7	1	DFLR1600-7DICT-ND
D4	DIODE GEN PURP 200V 400MA SOD123	BAV21W-7-F	1	BAV21W-FDICT-ND
F1	FUSE BOARD MNT 2A 300VAC RADIAL	36912000000	1	F5461CT-ND
L1	FIXED IND 220UH 800MA 600MOHM TH	RLB0914-221KL	1	RLB0914-221KL-ND
L2	CMC 10MH 450MA 2LN TH	B82730U3451A020	1	495-4384-ND
Q1	MOSFET N-CH 650V 4A IPAK	STU6N65M2	1	497-15044-5-ND
R1	RES SMD 20 OHM 1% 1/8W 0805	CRCW080520R0FKEA	1	541-20.0CCT-ND
R2	RES 470K OHM 1% 1/4W 1206	RC1206FR-07470KL	1	311-470KFRCT-ND
R3	RES SMD 10K OHM 1% 1/8W 0805	CRCW080510K0FKEA	1	541-10.0KCCT-ND
R4, R5	RES SMD 4.75M OHM 1% 1/4W 1206	CRCW12064M75FKEA	2	541-4.75MFCT-ND
R6	RES SMD 200 OHM 1% 3/4W 1206	CRCW1206200RFKEAHP	1	541-200UCT-ND
R7	RES 2.2M OHM 1% 1/4W 1206	RC1206FR-072M2L	1	311-2.20MFRCT-ND
R8	RES SMD 10 OHM 1% 1/8W 0805	CRCW080510R0FKEA	1	541-10.0CCT-ND
R9	RES 68K OHM 1% 1/4W 1206	RC1206FR-0768KL	1	311-68.0KFRCT-ND
R10	RES SMD 47 OHM 5% 1/8W 0805	CRCW080547R0JNEA	1	541-47ACT-ND
R11	RES 1.8K OHM 1% 1/10W 0603	RC0603FR-071K8L	1	311-1.80KHRCT-ND
R12	RES SMD 38.3K OHM 1% 1/10W 0603	CRCW060338K3FKEA	1	541-38.3KHCT-ND
R13	RES SMD 1.5M OHM 1% 1/10W 0603	CRCW06031M50FKEA	1	541-1.50MHCT-ND
R14	RES 1.1 OHM 1% 1/4W 0805	RK73H2ATTD1R10F	1	2019-RK73H2ATTD1R10FCT-ND
RV1	VARISTOR 680V 2.5KA DISC 10MM	MOV-10D681KTR	1	118-MOV-10D681KTRCT-ND
T1	Three-winding Transformer (Ideal)		1	
U1	IC OFFLINE SW FLYBACK SOT23-6	UCC28704DBVR-1	1	296-47908-1-ND