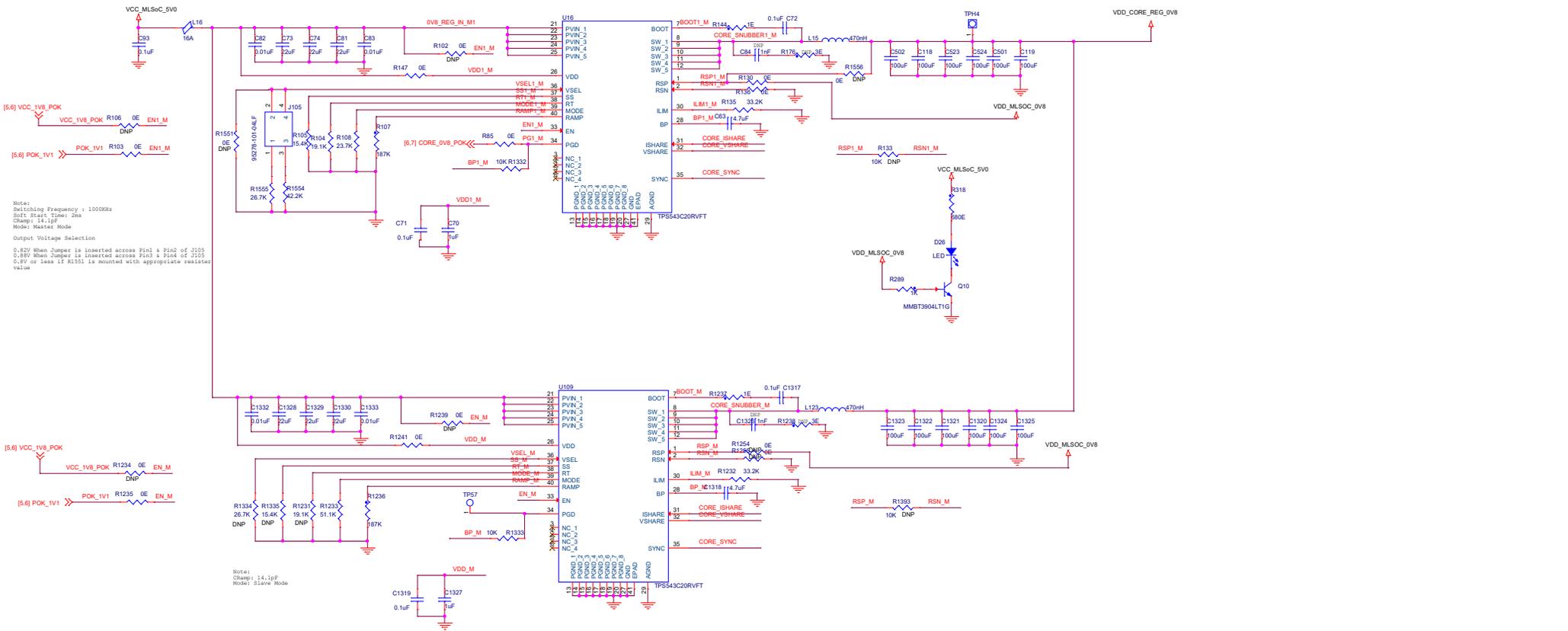


BUCK REGULATOR FOR MLSoC Core VOLTAGE 0.8V@40A



Note:
 Switching Frequency : 1000KHz
 Soft Start Time: 2ms
 Chomp: 14.1pp
 Mode: Master Mode
 Output Voltage Selection
 0.82V When Jumper is inserted across Pin1 & Pin2 of J103
 0.88V When Jumper is inserted across Pin3 & Pin4 of J103
 0.8V or less if R1551 is mounted with appropriate resistor value

[5.6] VCC_1V8_POK
 VCC_1V8_POK R1234 OE EN_M
 [5.6] POK_IV1
 POK_IV1 R1235 OE EN_M

Note1:
 Chomp: 14.1pp
 Mode: Slave Mode