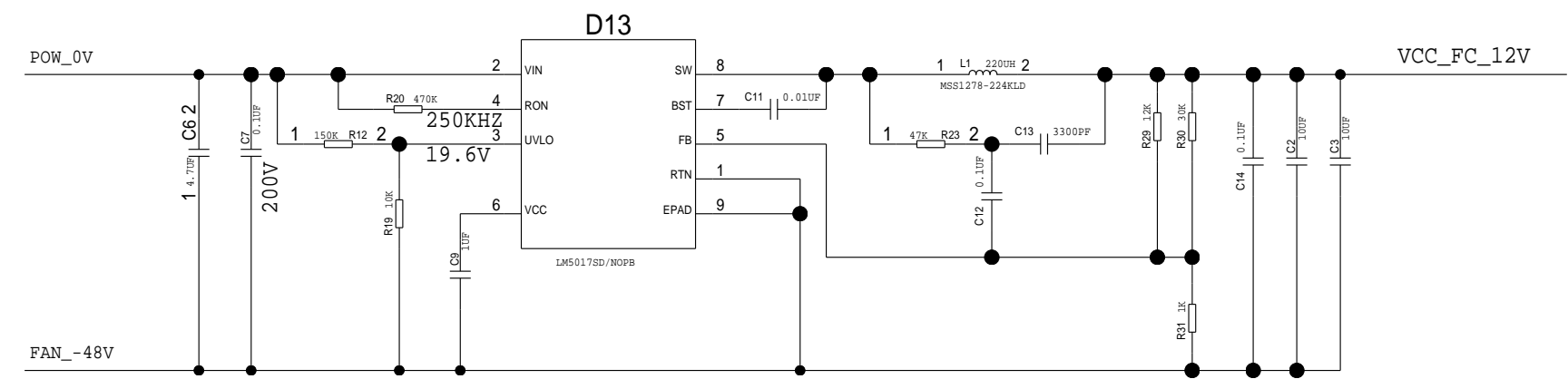
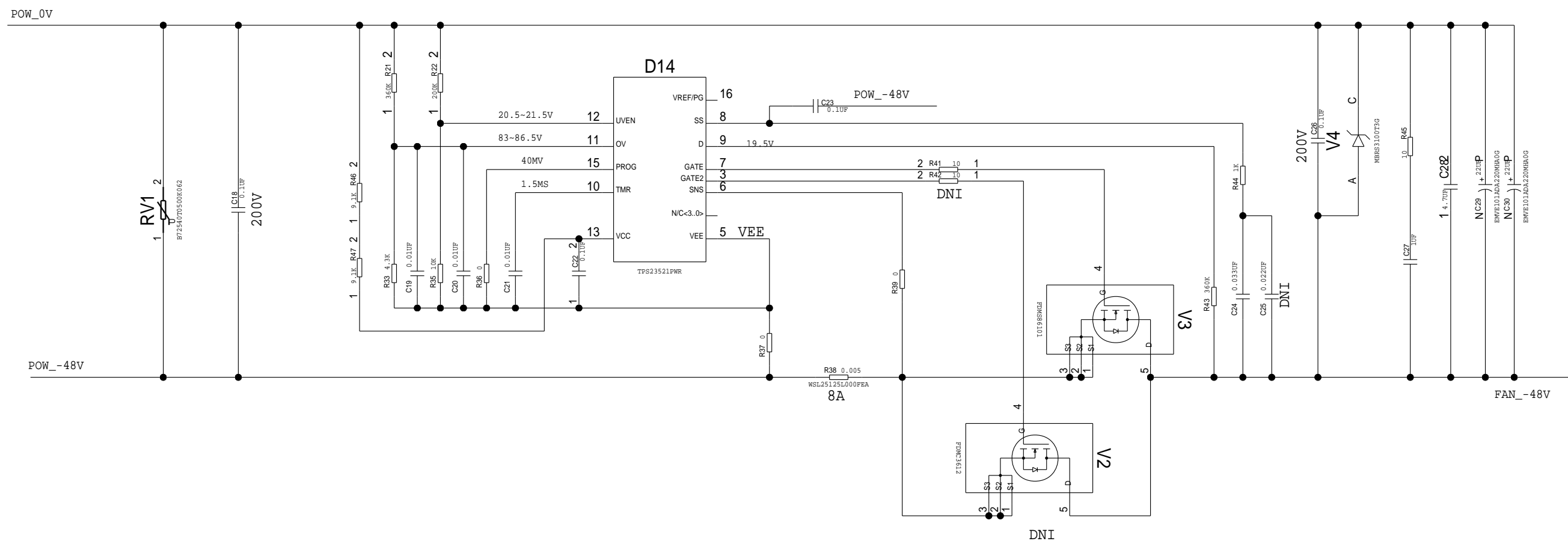


VER:
V1.0.0

G
F
E
D
C
B
A



DATE: SIGN:

SIGN:	DATE:	
DRAWN:		
DESIGNER:		DTM DTM4.375.E41 DL
CHECKED:		
APPROVED:	PN: 5	TOTAL: 5