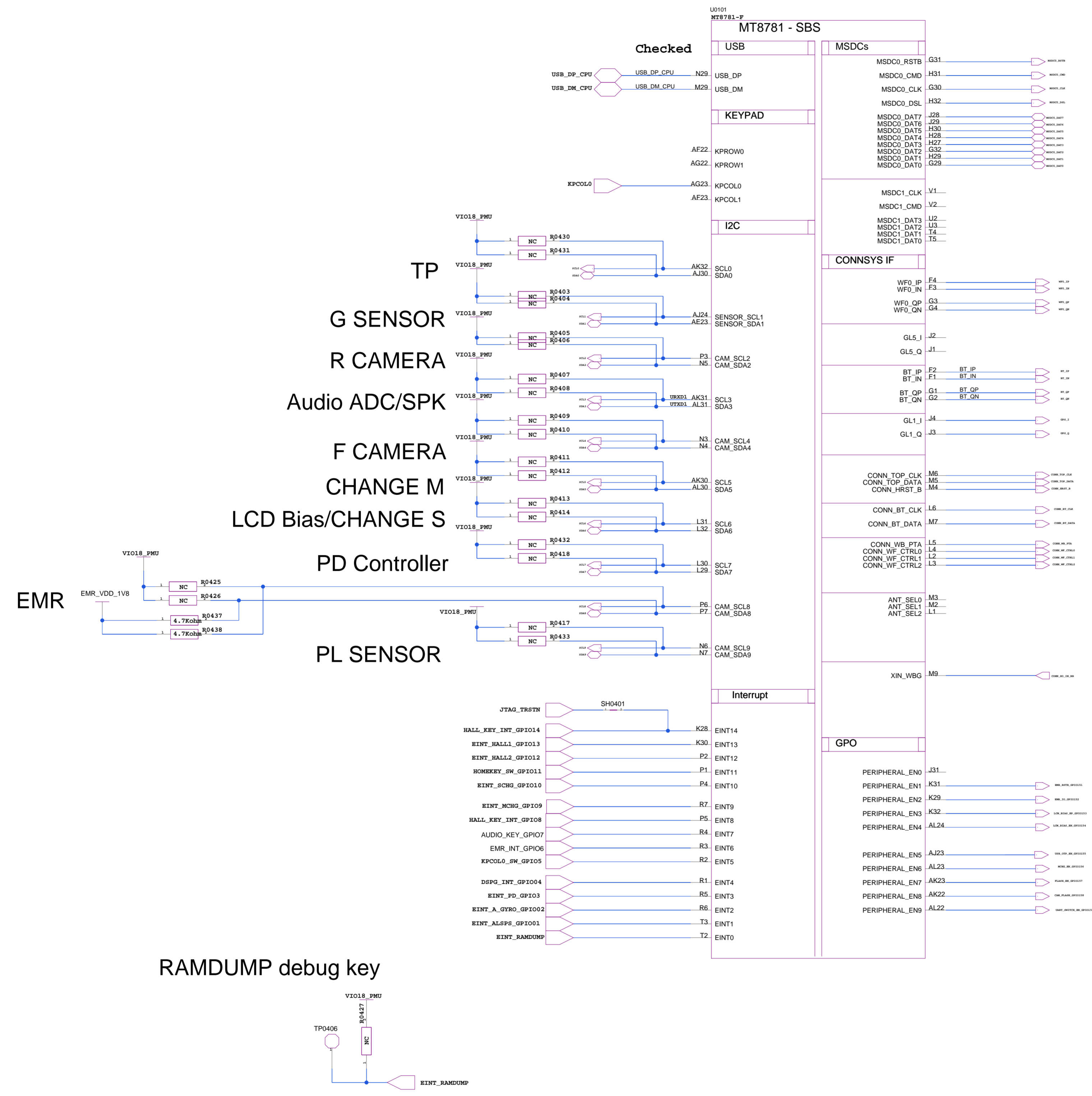
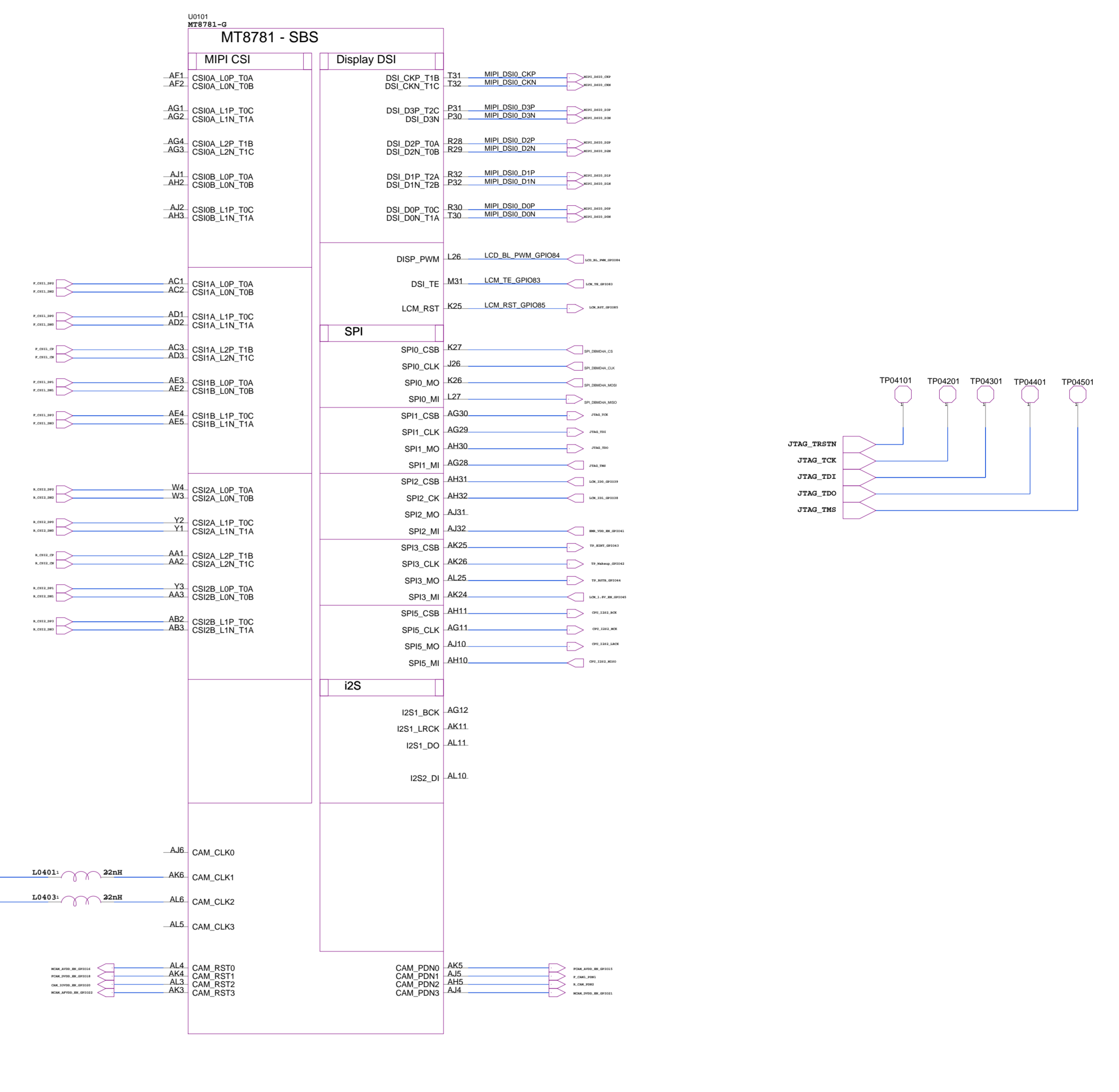
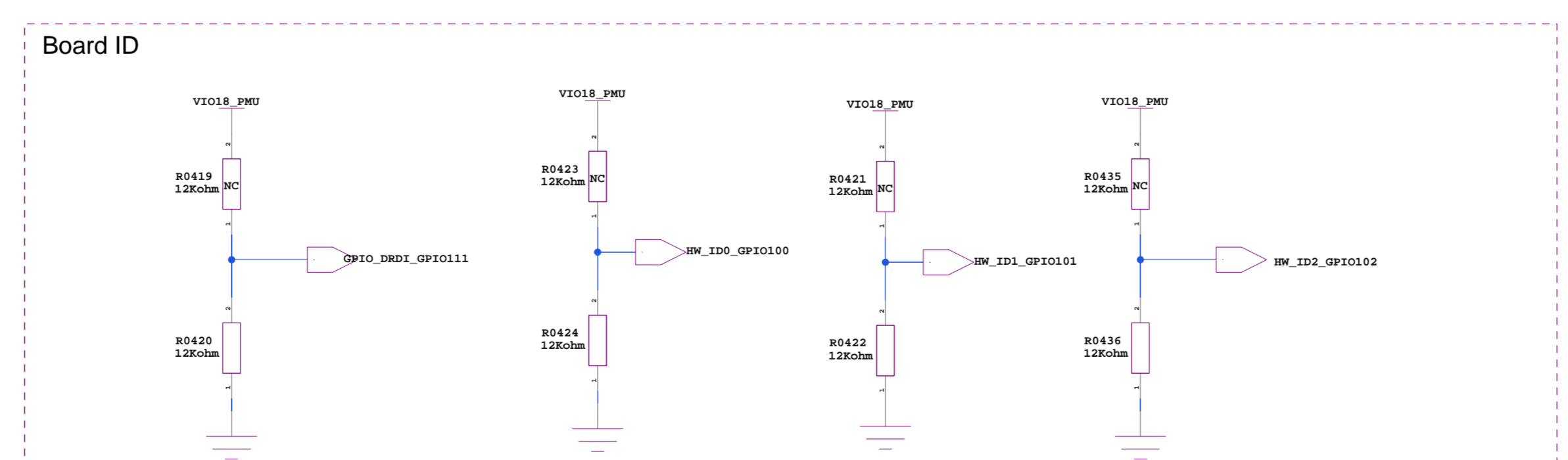


# MT8781 GPIO



GPIO11 (GPIO_DRDI)	GPIO101 (HW_ID1)	GPIO100 (HW_ID0)	PCB ID
Lo	Lo	Lo	Internal phone (Note: DP DTB detected via I2C ID)(MTKxxxx) with MT6631 china SKU
Lo	Lo	Hi	
Lo	Hi	Lo	
Lo	Hi	Hi	
Hi	Lo	Lo	EVB (MTKxxxx) + MTK internal DTBs
Hi	Lo	Hi	EVB (MTKxxxx) + Customer's DTBs



SKU	AUX_IN2 (RF SKU/PCB ID) (ADC range is 0.051-45V)
SKU1 EU+CHN+JPN	0.05V 0V(R1604=NC, R1606=100K)
SKU2 NA	0.21V 0.21V(R1604=750K, R1606=100K)
Reserved	0.42V 0.41V(R1604=330K, R1606=100K)
Reserved	0.62V 0.62V(R1604=191K, R1606=100K)
Reserved	0.82V 0.82V(R1604=120K, R1606=100K)
Reserved	1.04V 0.99V(R1604=100K, R1606=137K)
Reserved	1.24V 1.24V(R1604=100K, R1606=220K)
Reserved	1.45V 1.45V(R1604=100K, R1606=422K)

**CONFIDENTIAL**

ED DATE  
ORIGINATOR  
tcl & alcatel  
mobile phones  
Sheet type : cover



