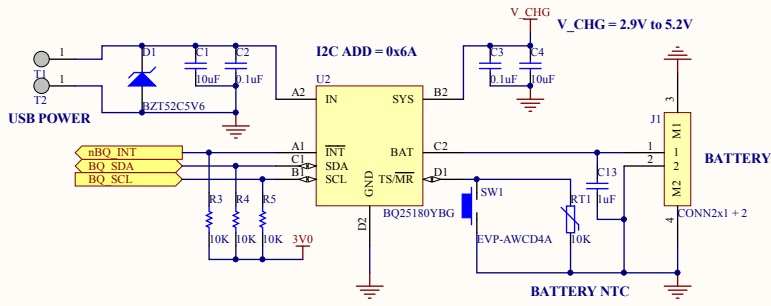
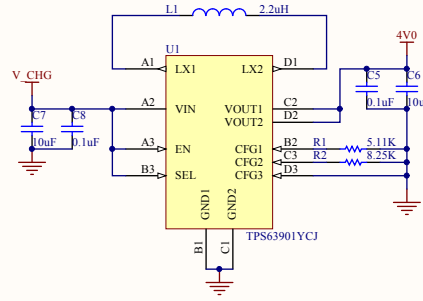


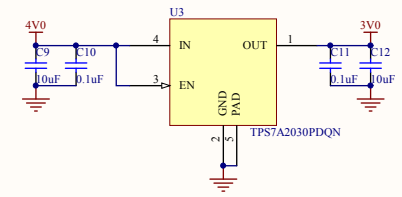
## POWER IN & BATTERY



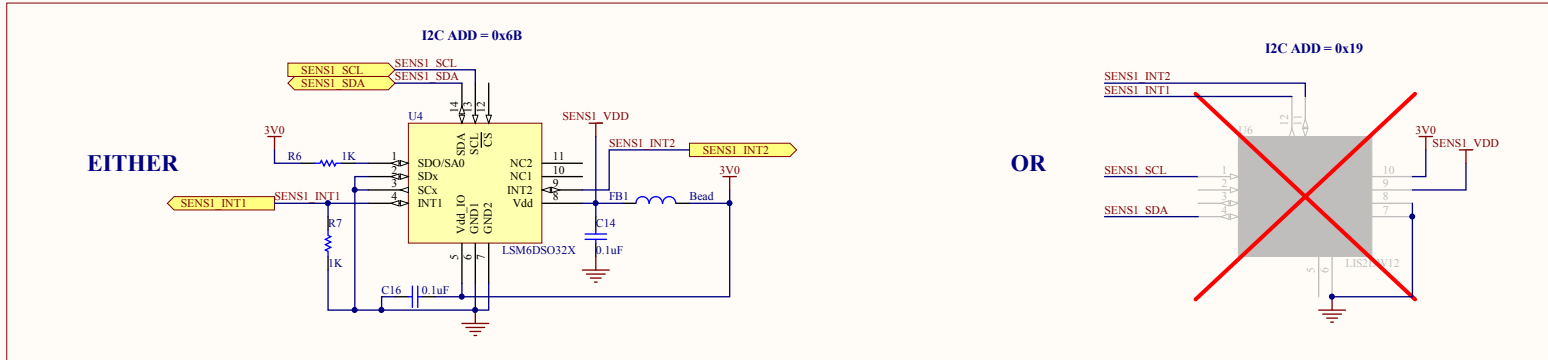
## 4V BUCK BOOST



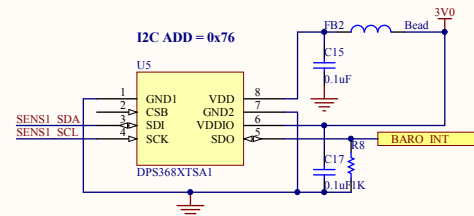
## 3V LDO



## IMU



## BAROMETER



SIZE A3	ELEC Kirti Patil	SUB TITLE 04 POWER IMU BARO.SchDoc			
DATE 5/4/2022	ASSY. NO. RING2	FAB. NO. RING2	SHEET 4 OF 6		

Revision 1.0