

SIZE PART No.  
D 161-5040-00 /LD

A

B

C

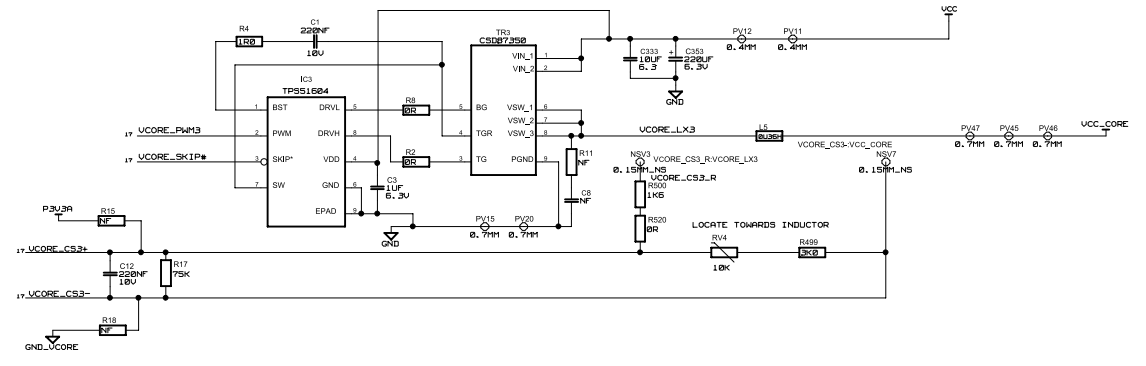
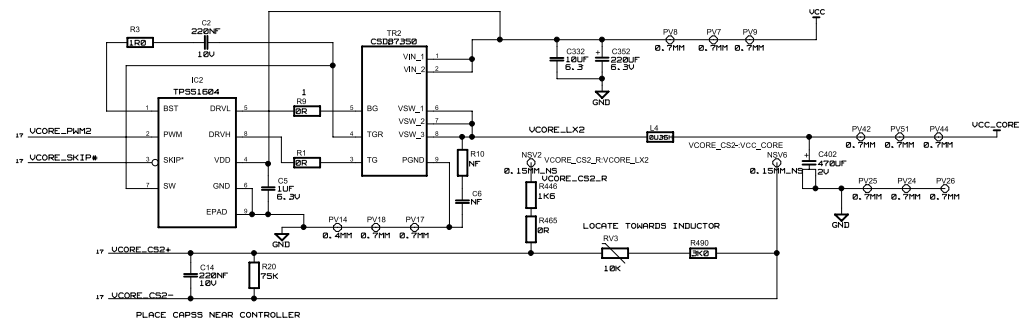
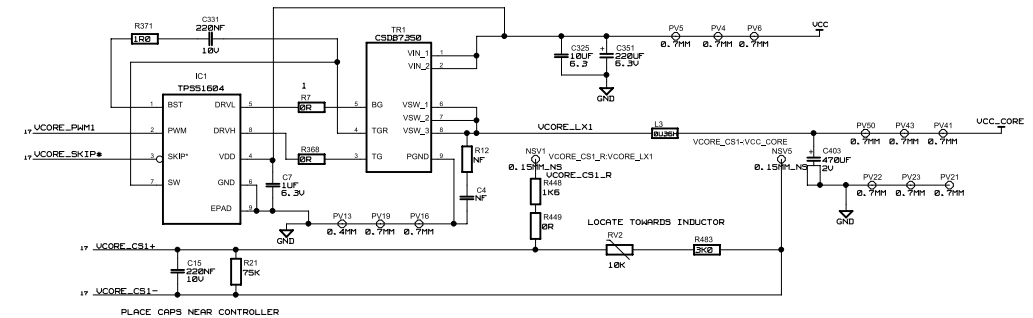
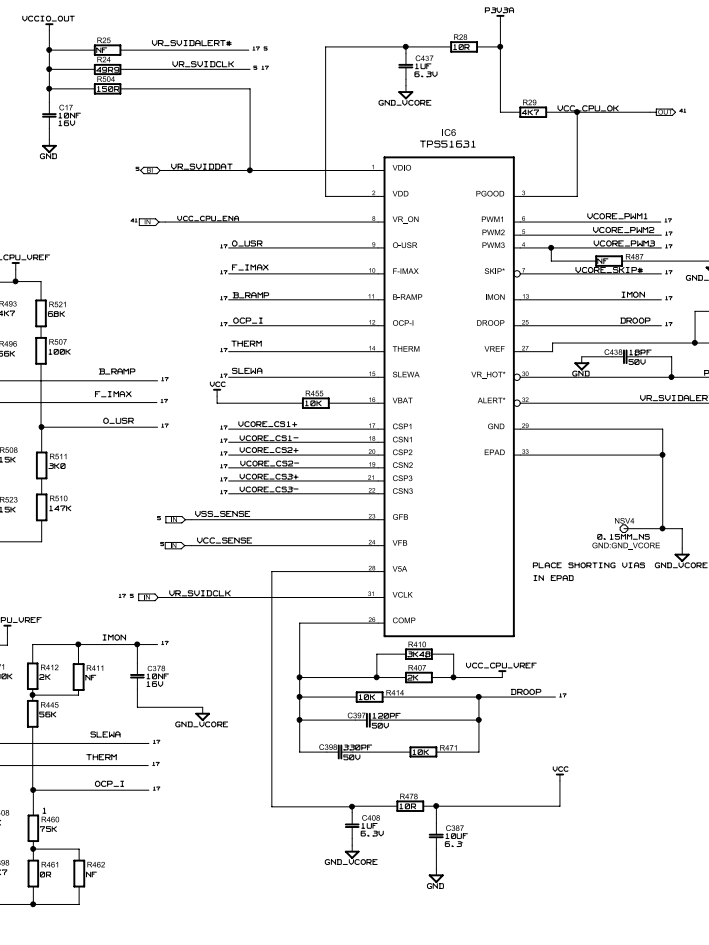
D

A

B

C

D



FIT 2X OR AND REMOVE PHASE 3 PARTS FOR 2 PHASE MODE.  
PLACE PARTS NEAR CONTROLLER

CONCURRENT TECH (I) PVT LTD BANGALORE, INDIA.	
TITLE	PP B14/m43-B1
PART NO.	161-5040-00 /LD
SHEET TITLE	CORE POWER
REV. B /MOD. 0	DATE. SEE SHT. 1
SCALE: -	SHT. 17 OF 56