

# Charger

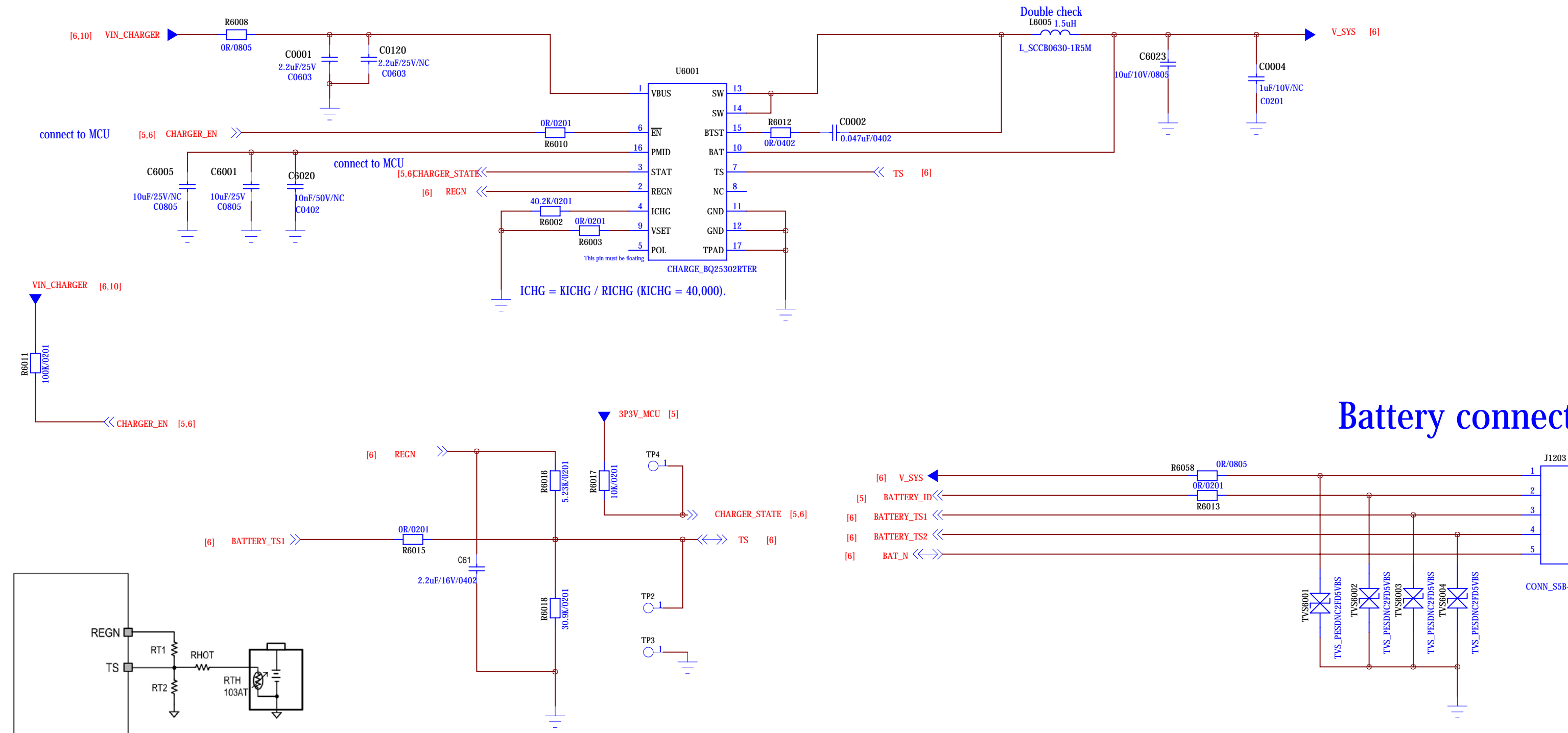
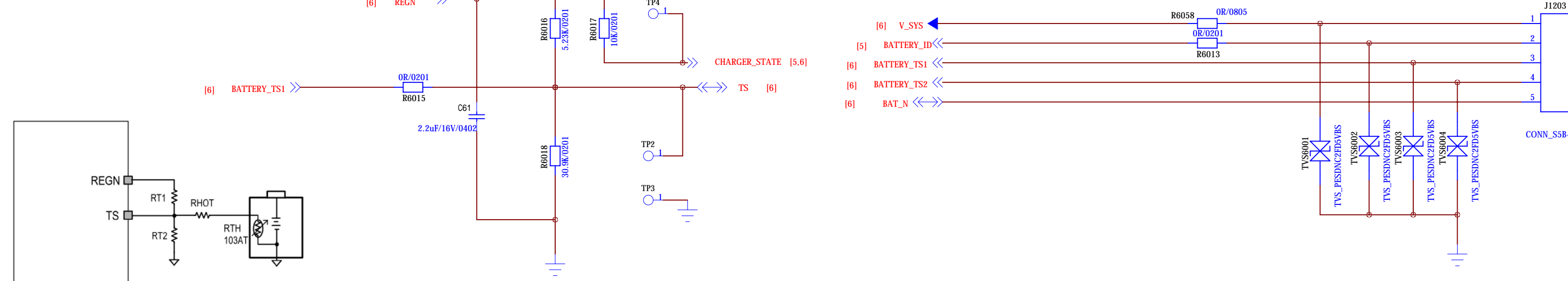
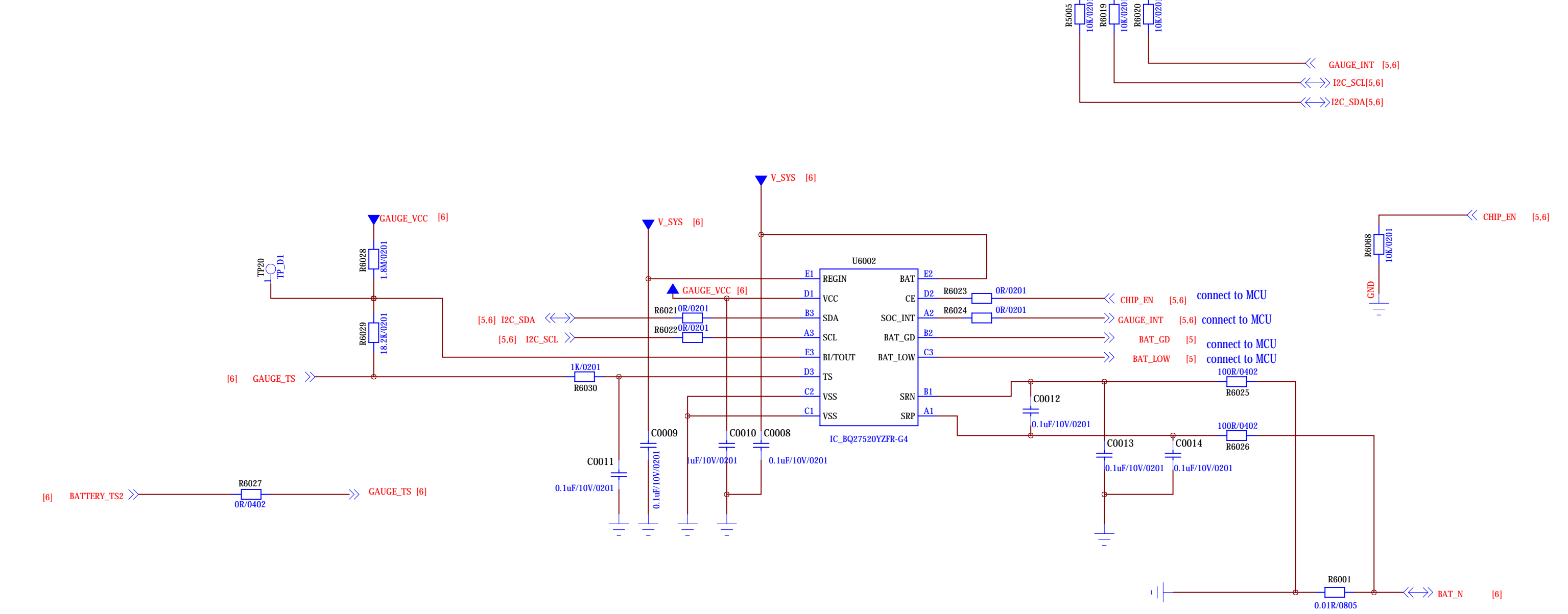


Figure 8-2. Battery Temperature Sensing Circuit

# Battery connector

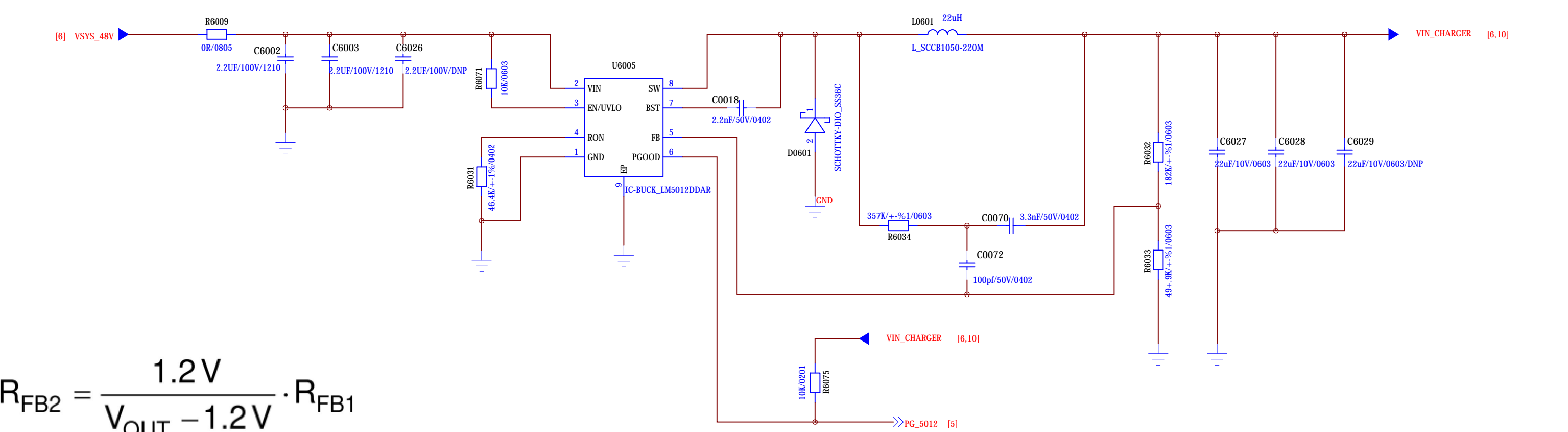


# Fuel Gauge



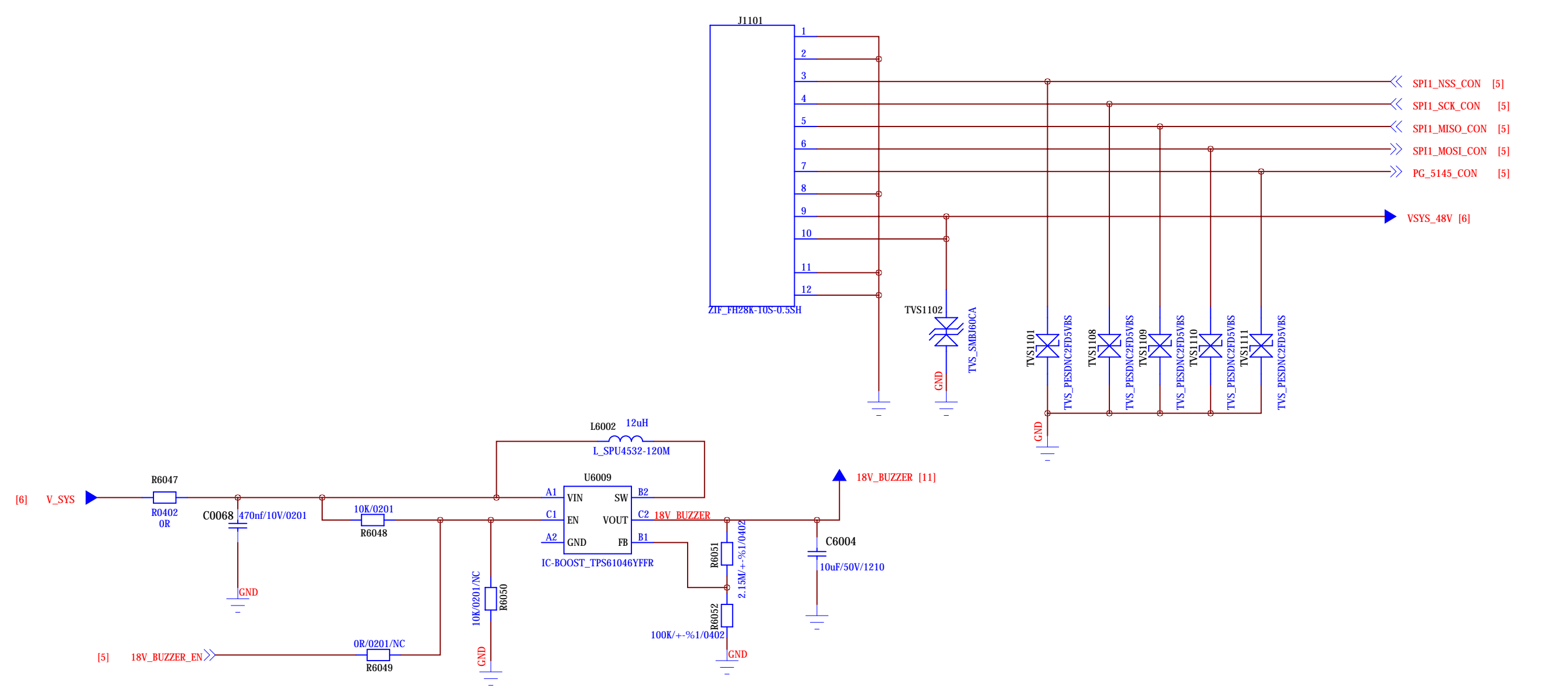
24V min - 55V max.

Output: 5.6V 2.5A



$$R_{FB2} = \frac{1.2V}{V_{OUT} - 1.2V} \cdot R_{FB1}$$

# PWR to CHUB



500mA

500mA

500mA

COMPANY:	<COMPANY>	PROJECT:	<PROJECT>	Modified Date:	2015-05-06
DRAWN	<Drawn By>	DATED	<Drawn Data>	VERSION:	<Version>
CHECKED	<Checked By>	DATED	<Checked Data>	TITLE:	06_POWER
				SHEET:	6 OF 12