

The problem you're experiencing isn't burst mode.

In burst mode, output is performed using the set FSW.

If I set FSW to 121kHz the problem does not occur.

Why does setting FSW high cause problems?

Please tell me the cause.

**[schematic]**

Vin=330V

Fsw=121kHz

Vout=48V

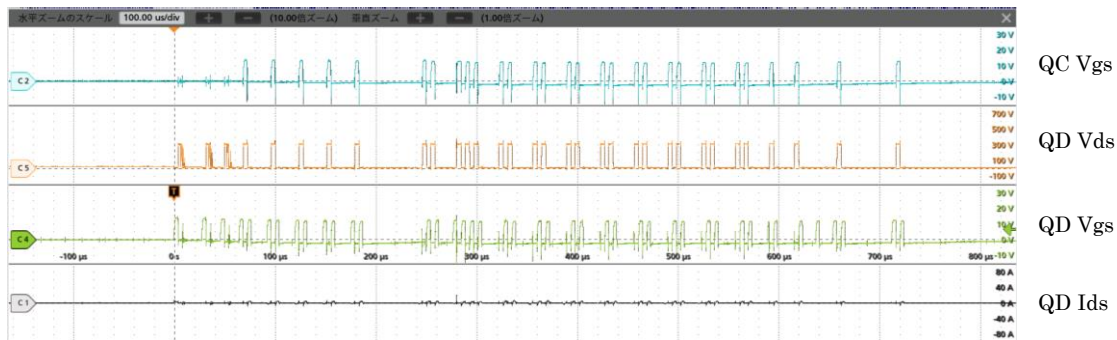
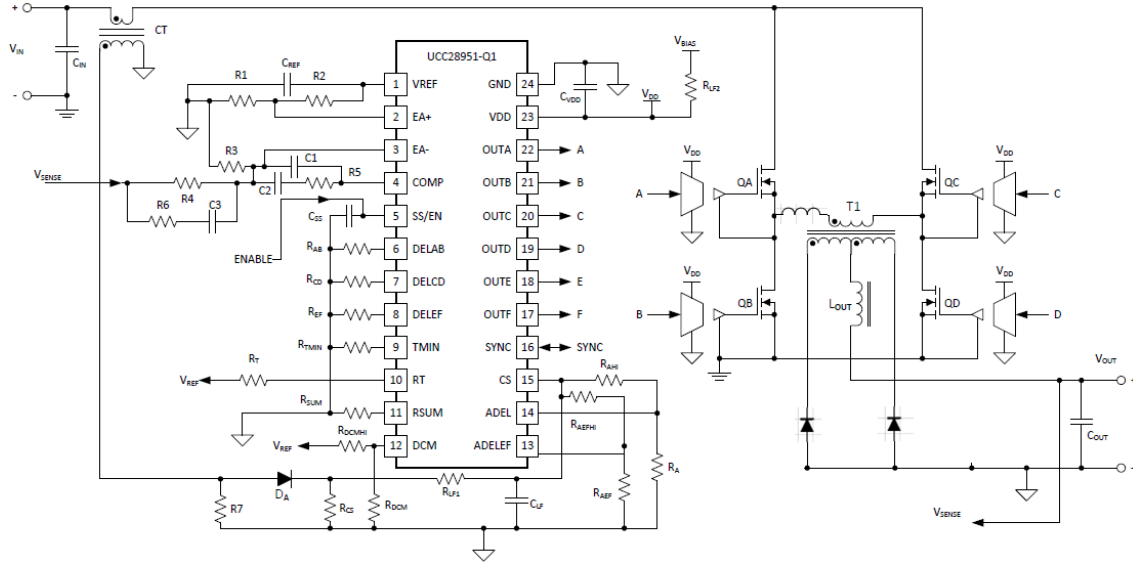


Fig.1 Start up operation (Fsw:121kHz)