

# TPS2041B: TPS2041B



Online [VINEET SIN...](#) *Prodigy 10 points*  
Community Member

Part Number: [TPS2041B](#)

We had received two different batches of **TPS2041BDBV**. We are using this IC from long time but unfortunately, it is been observed few of the ICs are giving pulses at output instead of constant voltage. We would like to understand more detail on batch code.

IC, Power Switch, High side MOSFET, 2.7-5.5V, 0.5A, SOT-23

Texas Instruments

TPS2041BDBV

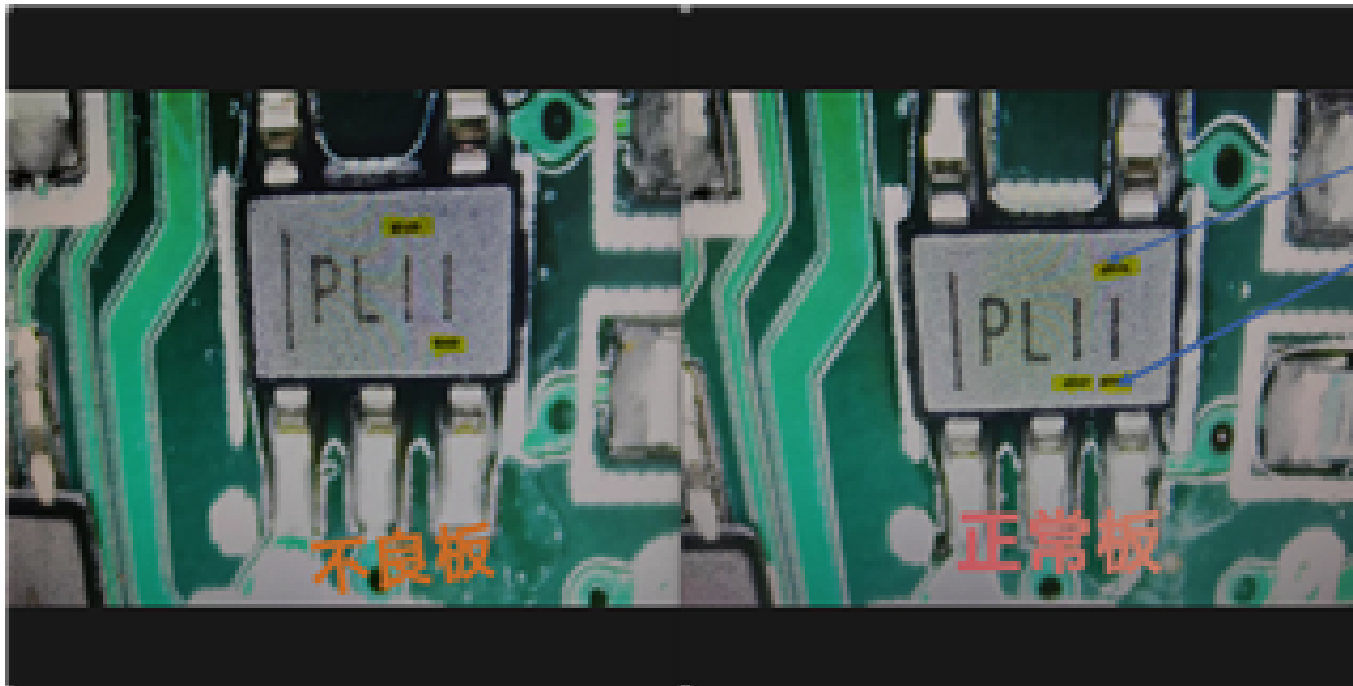
---

Internally we were brainstorming on the physical appearance of ICs (batch code). There is difference on the marking of two ICs. Can you please explain us in detail(technical features) **batch code/markings** of the two ICs.

PFB: **Images difference highlighted in yellow. Please consider this as high priority since production has been stopped.**

Bad IC

Good IC



Thanks & Regards

Vineet(9606571746)

[19 days ago](#)



Offline [Kuno Wu](#) *17 days ago*

Hi Vineet,

Assign to Benny, who is responsible for EU.

Best Regards,

Kuno

[TI\\_Genius](#) 9515 points



Offline [Benny Feng](#) *16 days ago*

Hi Vineet,

[TI\\_Prodigy](#) 680 points

Where did you place the order for the IC? Is it through our Sales or from ti.com?

BR,

Benny



Online [VINEET SINGH](#) 16 days ago in reply to [Benny Feng](#)

[Prodigy](#) 10 points

Hi

We have manufacturing in poole, might be through distributor. From 2015, we are buying these IC from TI. But, Engg. R&D is in bangalore .So, I am replying on there behalf on design aspects.



Offline [Tina Liang](#) 16 days ago in reply to [VINEET SINGH](#)

[TI\\_Prodigy](#) 110 points

Hi Vineet, I am working with Benny on this. Would you help to clarify what technical features you need? Do you want to know the manufacturing dates of these two IC, or the spec/function of these two IC?



Online [VINEET SINGH](#) 16 days ago in reply to [Tina Liang](#)

[Prodigy](#) 10 points

I understand the function of TPS is as series power switch, but the concern is in new batch of ICs. We observe the output in form of pulses across the load. So, please do let us know is there any changes in PCN(FYI older batches of IC s has stable output).



Online [VINEET SINGH](#) 16 days ago in reply to [VINEET SINGH](#)

[Prodigy](#) 10 points



Online [VINEET SINGH](#) 16 days ago in reply to [VINEET SINGH](#)

[Prodigy](#) 10 points

Information from TI distributor:



Date code on TPS2041BDBV:





Offline [Tina Liang](#) 16 days ago in reply to [VINEET SINGH](#)

Got it. We are checking internally if any PCN issued.

FYI, the date code is 2022 Jan for the bad IC you marked; The good one is 2021 Mar.

[TI\\_Prodigy](#) 110 points



Offline [Tina Liang](#) 16 days ago in reply to [VINEET SINGH](#)

What a coincident, I am also typing the date code before seeing your message here. Thanks for the info.

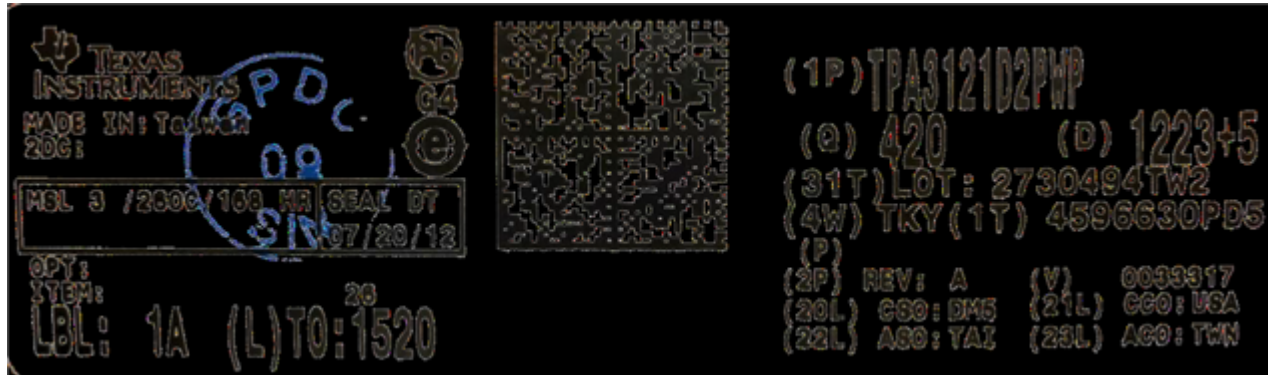
[TI\\_Prodigy](#) 110 points



Offline [Tina Liang](#) 15 days ago in reply to [VINEET SINGH](#)

Hi Vineet, there is no change in PCN released recently in 2021 and 2022, the latest one was back to 2012. So there should not be any feature/spec difference between ICs from 2021 and 2022. Would you help to share with me the label on the bag or the Tape & Reel so that I could check the source of the IC?

Below is an example



Online [VINEET SINGH](#) 13 days ago in reply to [Tina Liang](#)

[Prodigy](#) 10 points



Online [VINEET SINGH](#) 13 days ago in reply to [Tina Liang](#)

[Prodigy](#) 10 points

The pulse problem happens again with newly acquired batch of IC. Please find our latest receiving record of TPS2041B00V in below.

Receiving date	SR	SR (Serial number)	Qty.	PO	Supplier	Status	Lot NO	Date CODE
10月12日	020194205	150	4000170001	TI	0771142	良品	2273840NFM	D/C:2232
10月12日	020194248	750	4000170001	TI	0771142	良品	2287990NFM	D/C:2234
10月12日	020194248	2770	4000170001	TI	0771142	Build 50pcs ROB, all fail	2287990NFM	D/C:2234
10月12日	020194248	750	4000170001	TI	0771142	良品	2287991NFM	D/C:2234

50pcs of ROB were built in last week with IC from the yellow highlighted batch. They all found with pulse on TP24 when tested yesterday and today.



Offline [Benny Feng](#) 13 days ago in reply to [VINEET SINGH](#)

Hi Vineet,

Thanks for sharing the information. could you share the schematic to us, so that we can check the circuit?

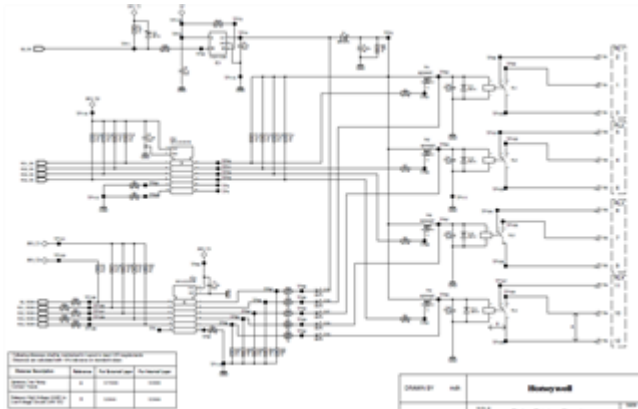
BR,

Benny

[TI\\_Prodigy\\_680](#) points



Online [VINEET SINGH](#) 13 days ago in reply to [Benny Feng](#)



[Prodigy\\_10](#) points



Offline [Benny Feng](#) 12 days ago in reply to [VINEET SINGH](#)

Hi VINEET,

Thanks for sharing the schematic, we will review this.

BR,

Benny

[TI\\_Prodigy\\_680](#) points

Offline [Benny Feng](#) 5 days ago in reply to [VINEET SINGH](#)

[TI\\_Prodigy\\_680](#) points



Hi VINEET,

I have sent friendship request to you, could you accept my request? we can discuss in the email.

BR,

Benny



Online [VINEET SINGH](#) *5 days ago*

[Prodigy](#) 10 points

would like to understand when pulses are generated . I believe it is due to load current from datasheet.



Offline [Benny Feng](#) *5 days ago in reply to VINEET SINGH*

[TI\\_Prodigy](#) 680 points

You can check the OC pin if you think it trigger the current limit.



Online [VINEET SINGH](#) *5 days ago in reply to Benny Feng*

[Prodigy](#) 10 points

whenever i am overloading pin5 of TPS 2041 with variable resistor. I am getting pulse output. Different load resistor giving different duty-cycle. Can you let me know at what load these pulse start. Is there any co-relation between my pulses at relay & attached pulses.



Offline [Kuno Wu](#) *2 days ago in reply to VINEET SINGH*

[TI\\_Genius](#) 9515 points

Hi Vineet,

Have followed up this thread via email, I will close it in the E2E. Thank you.

Best Regards,

Kuno

[Previewing Staged Changes](#)