

What is purpose of the capacitor "Cb"?

Is it VCC capacitor?

If there capacitor need, what μF capacity need?

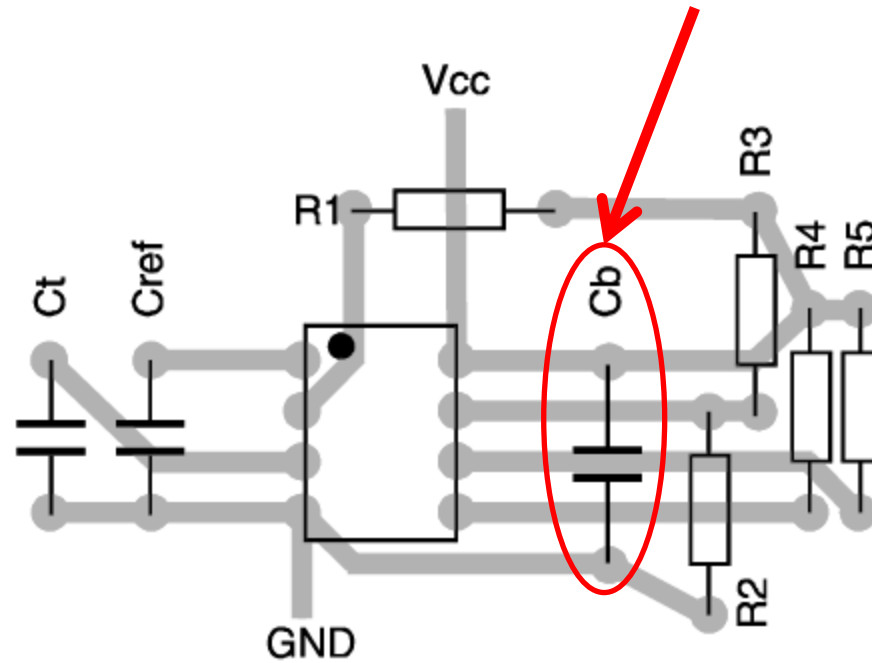


Figure 14. Printed Circuit Layout for the Supply Voltage Supervisor