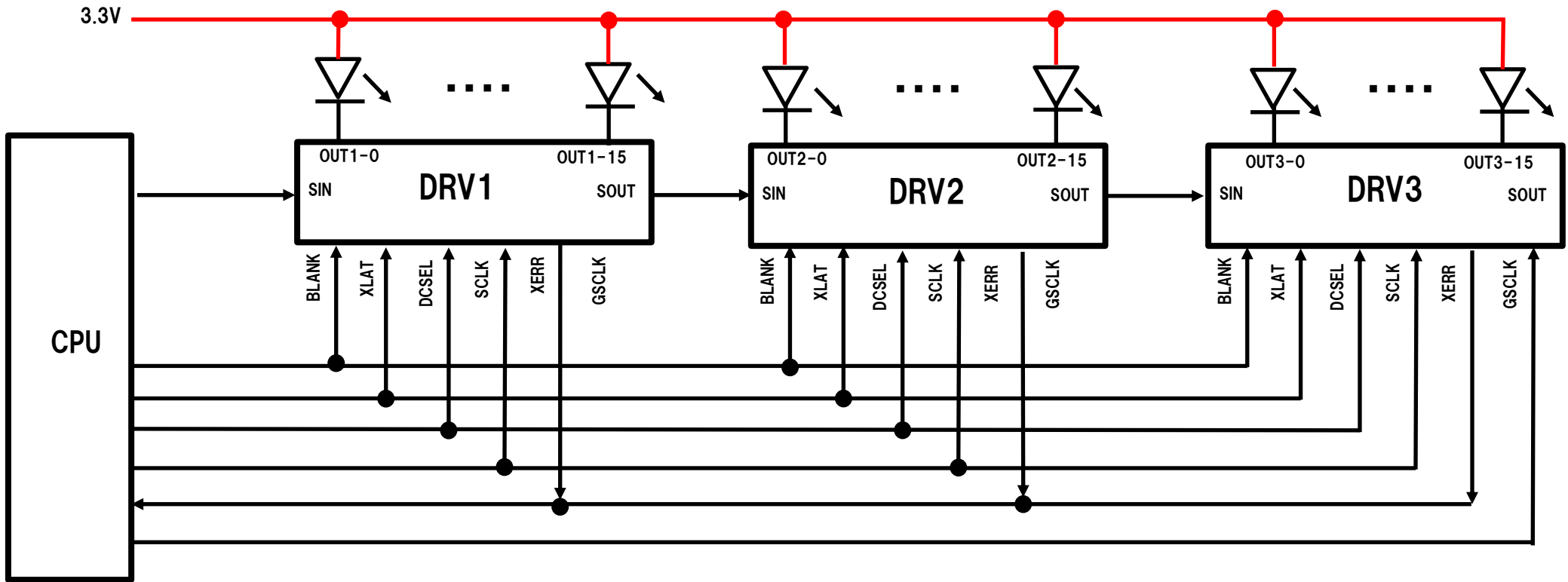
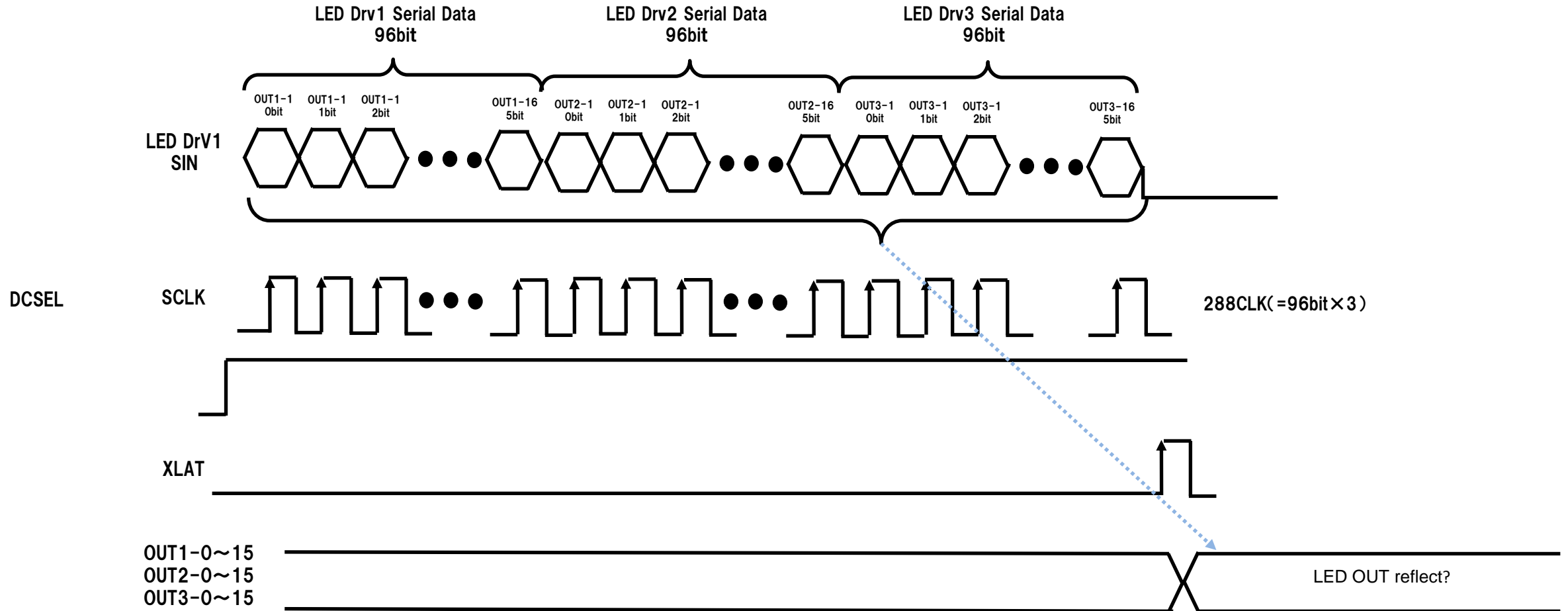


TLC5944PWRs circuit diagram image



# DCSEL pin control timing chart



※BLANK,GS CLK → "Low"

# Initialization of GS data in Start up timing

