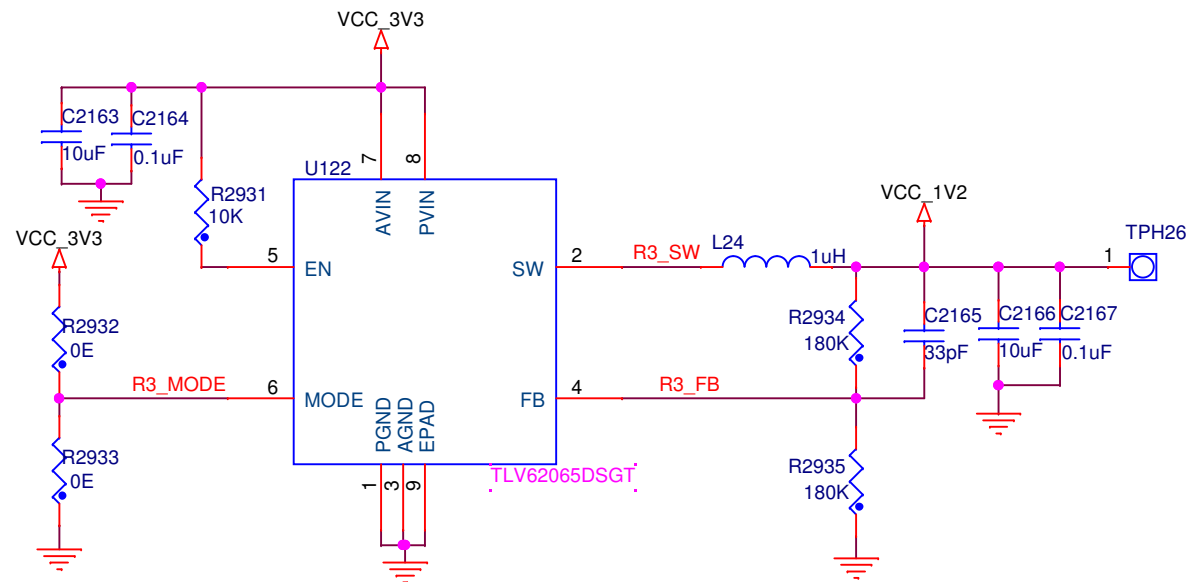


3.3V to 1.2V 2A Regulator for Ethernet PHY



Title		
<Title>		
Size	Document Number	Rev
A	<Doc>	<RevCode>
Date:	Friday, September 09, 2022	Sheet 1 of 1