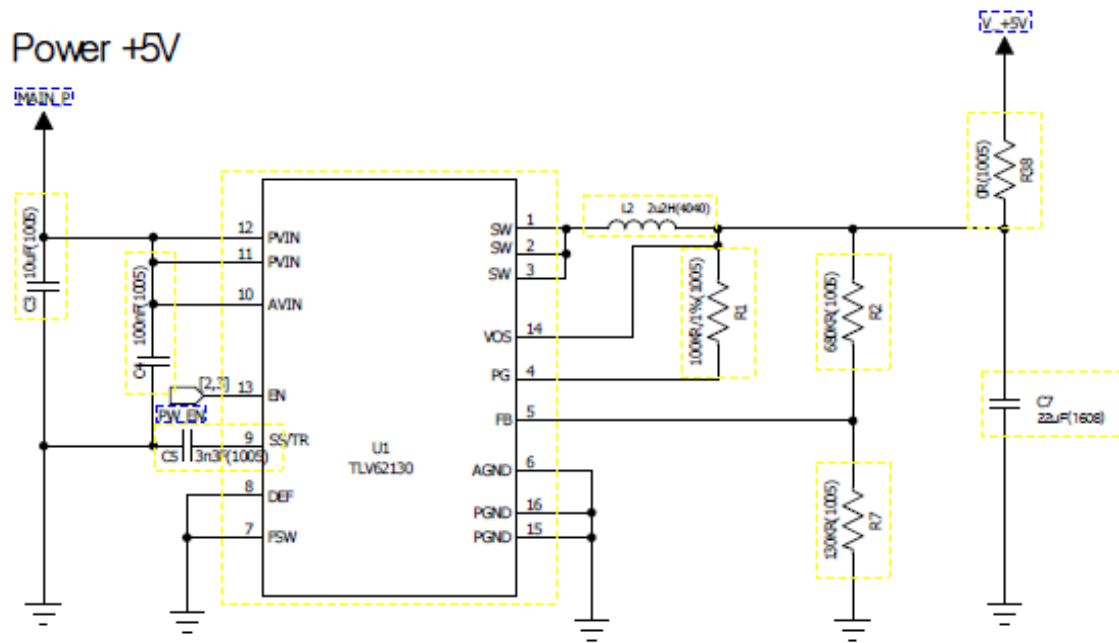


Power +5V



Power -5V

