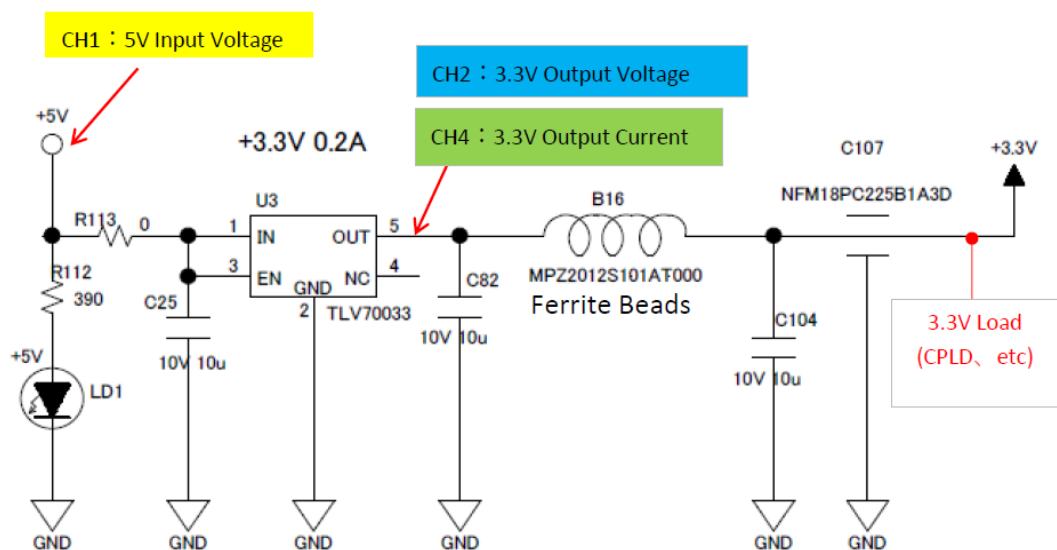
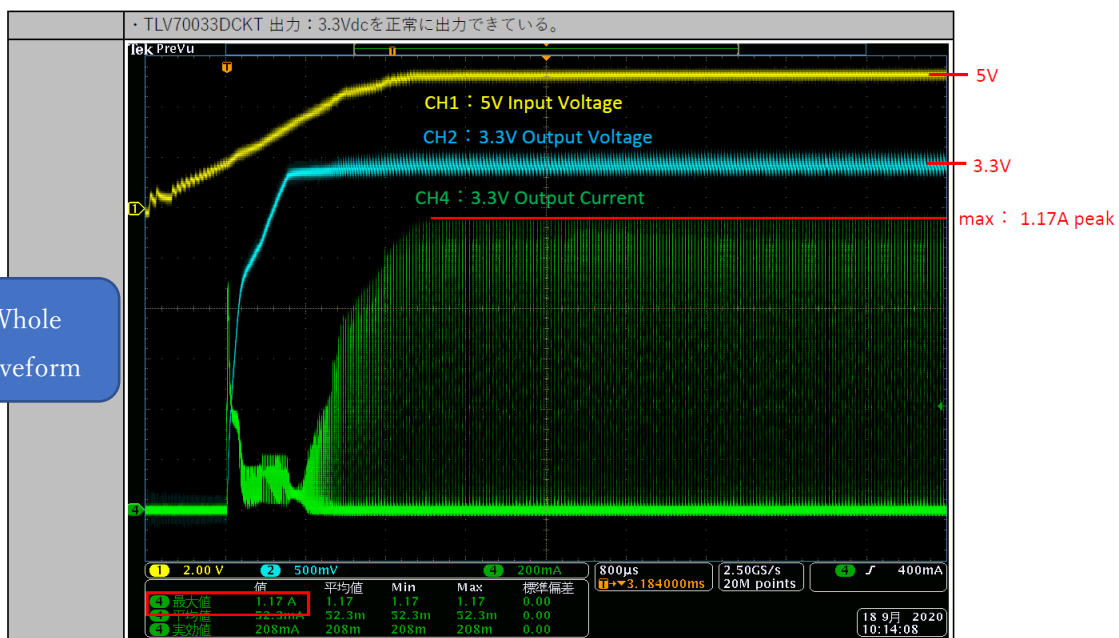


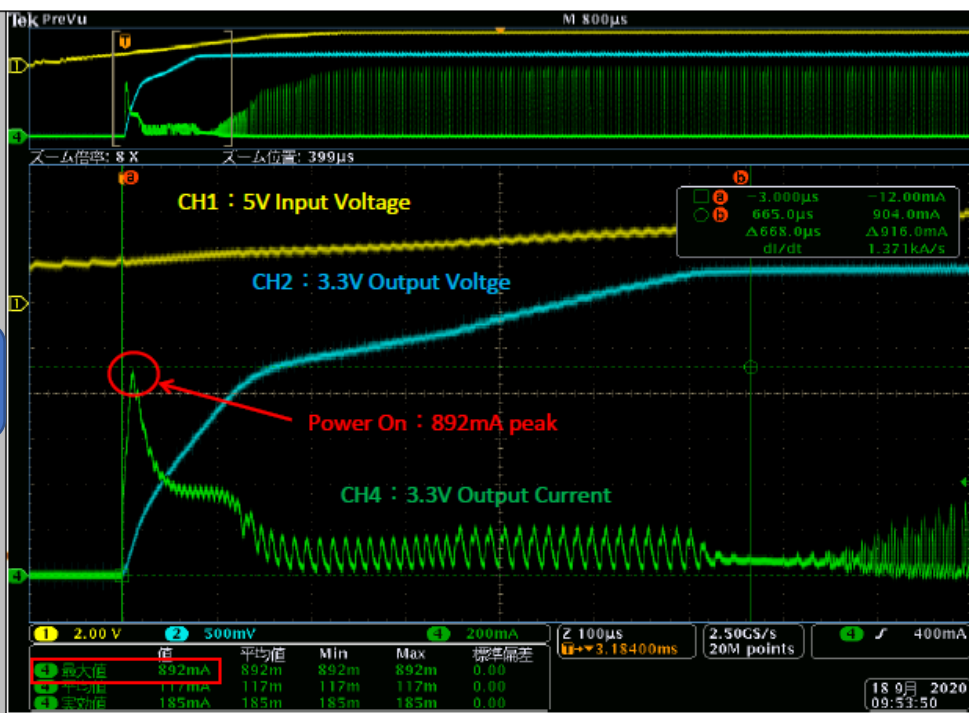
Circuit and measured point



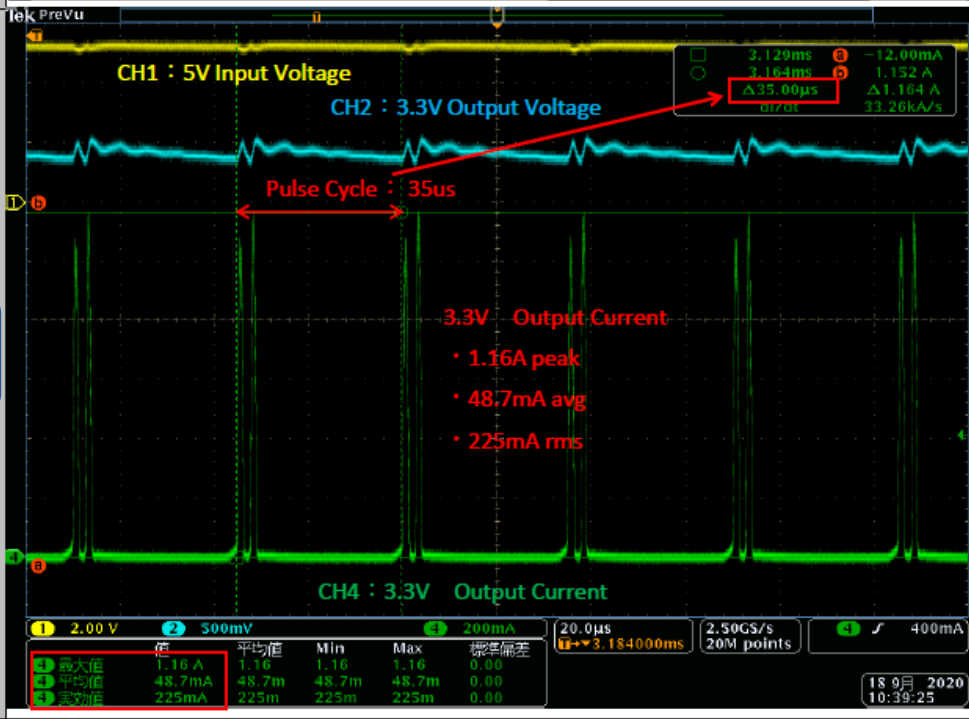
Waveforms(Input Voltage, Output Voltage and Output current)



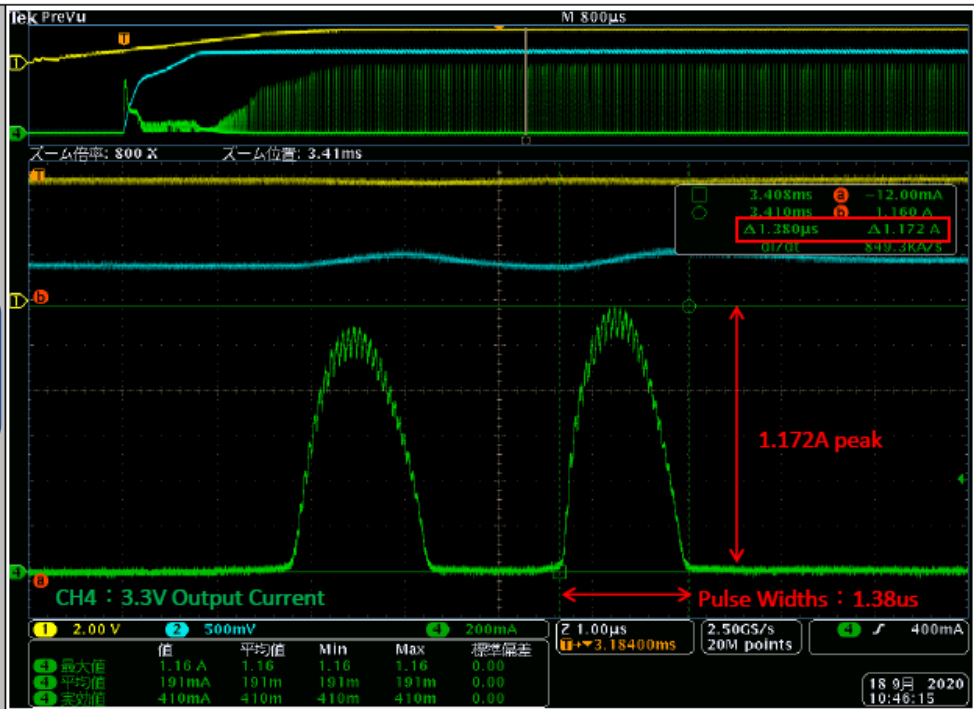
Expanded waveform Start up



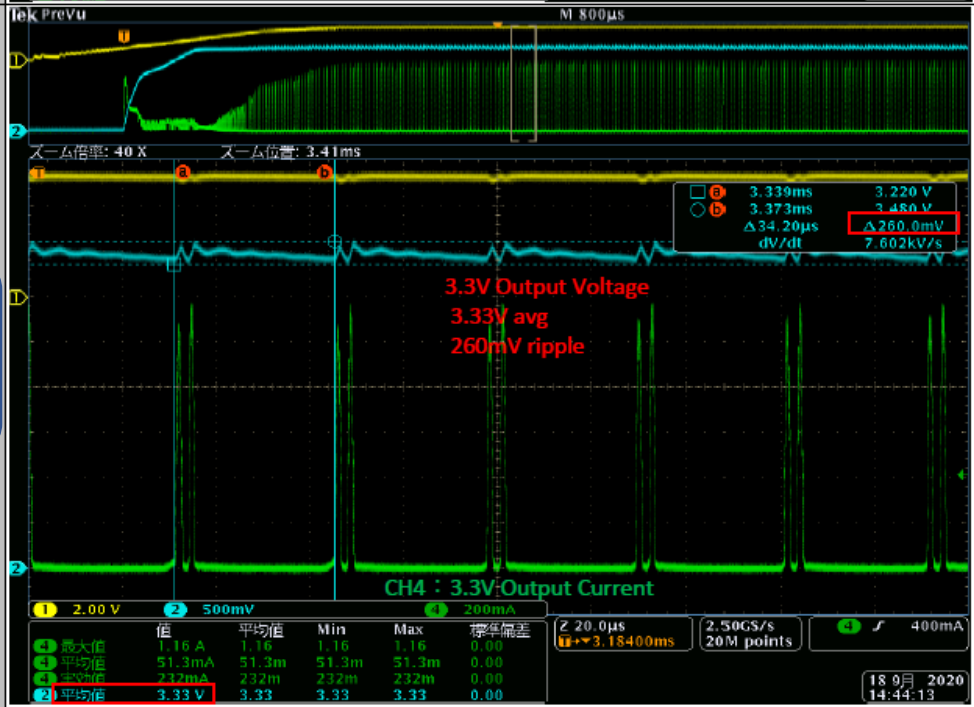
Expanded waveform Steady state



Expanded waveform
(Steady state
Output
current)



Expanded waveform
(Steady state
Output
ripple)



TLV70033 package surface temperature

time(minute)	temperature(°C)
2.5	50.3
5.5	51.5
7.5	51.9
10.5	52.4

The temperature is saturated 52.4°C

The room temperature is 25°C