

**Bourns Inc.**  
 SDR0403-2R2ML  
 FIXED IND 2.2UH 2.6A 47  
 MOHM SMD

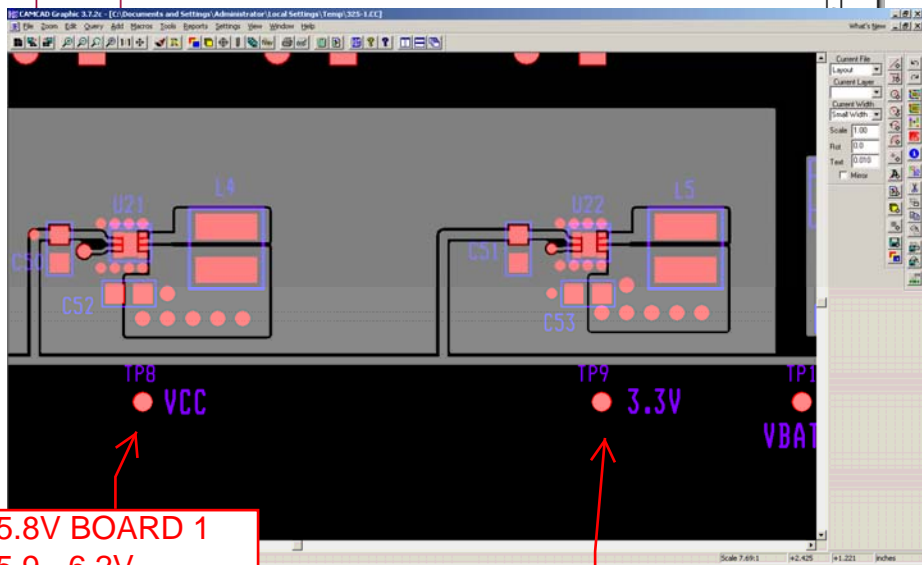
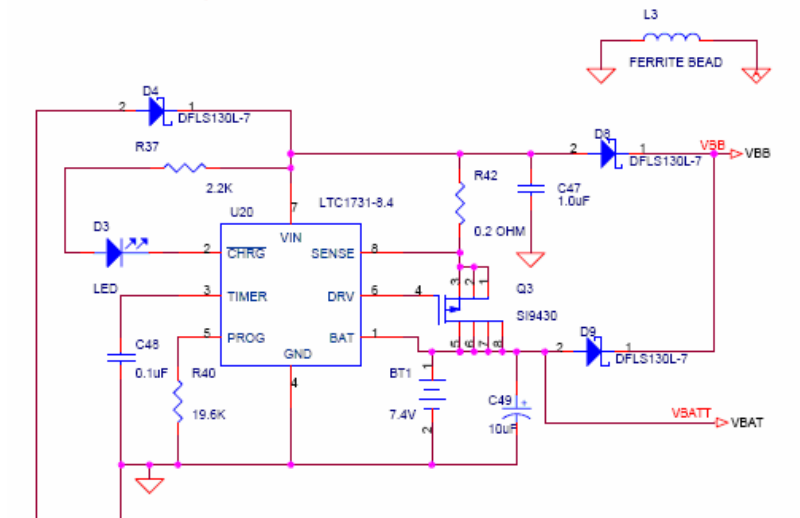
**PWRON=7.4V**

**CAP CER 10UF 16V  
 10% X5R 0805 Murata  
 Electronics North  
 America  
 GRM21BR61C106KE15L**

**CAP CER 22UF 16V  
 10% X5R 0805 TDK  
 Corporation  
 C2012X5R1C226K125  
 AC**

**VBB=7.4V**

iZ3V3B



**=5.8V BOARD 1  
 =5.9 - 6.2V  
 BOARD 2  
 DEPENDING ON  
 LOAD**

**=3.3V BOTH  
 BOARDS**

