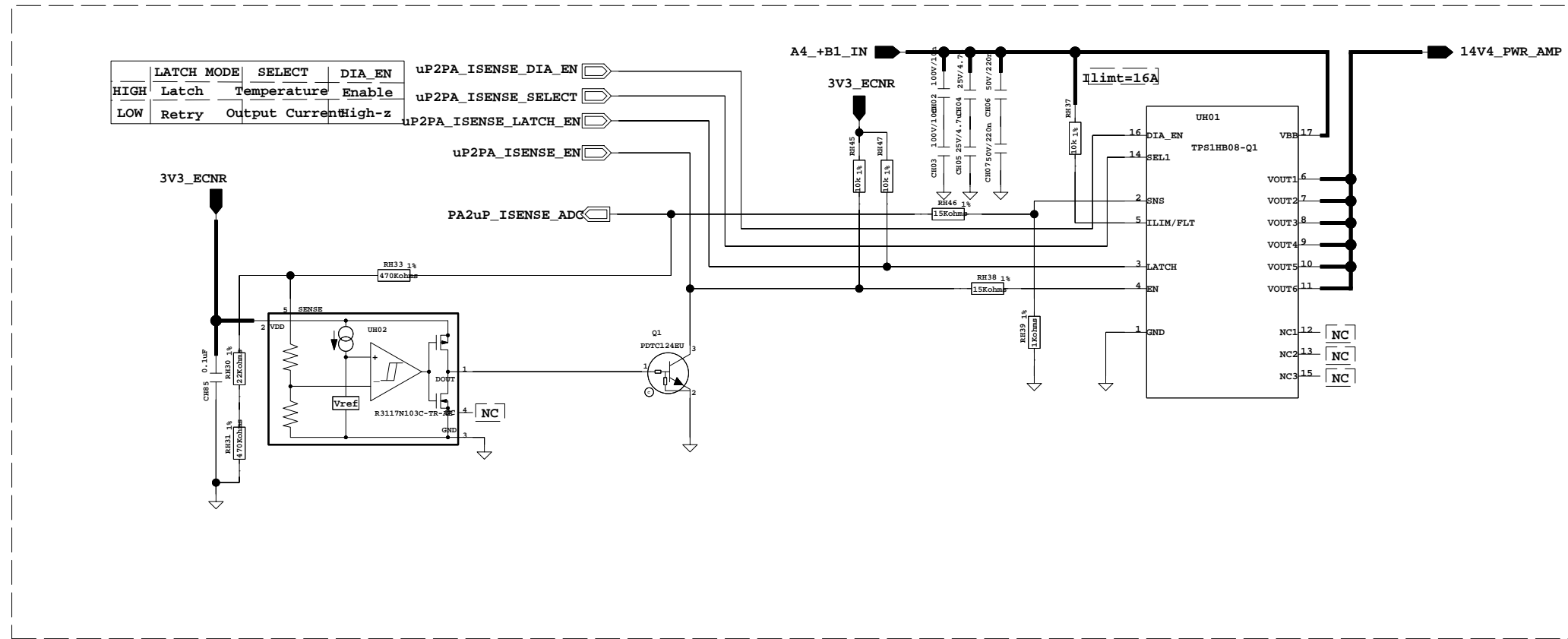


Revision History

Version	Date	Change History	Designer
V01	2021-07-02	First Release	Zhang Jin

Confidential	
Tool: Mentor DxDesigner 2007	Block Description: Revision History
Project Platform Information:	
Designed By: fn.Zhang@desay-svautomotive.com	Date: 2021-07-02
Released By: raji.Liu@desay-svautomotive.com	Status:
Pcb Material Information:	Designation: TPS1HB08A-Q1
	Version: 01
Pcb P/N:	Page: 1 of 2
HUI ZHOU DESAY SV AUTOMOTIVE CO.,LTD. / R&D -EE	
A3	

TPS1HB08A-Q1



Confidential	
Tool: Mentor DxDesigner 2007	Block Description:
Project Platform Information:	
Designed By: fn.Zhang@desay-svautomotive.com	Date: 2021-06-01
Released By: raji.Liu@desay-svautomotive.com	Status:
Pcb Material Information:	
Designation: TPS1HB08A-Q1	Version: V01
Pcb P/N:	Page: 2 of 2
HUI ZHOU DESAY SV AUTOMOTIVE CO.,LTD. / R&D -EE	
A3	