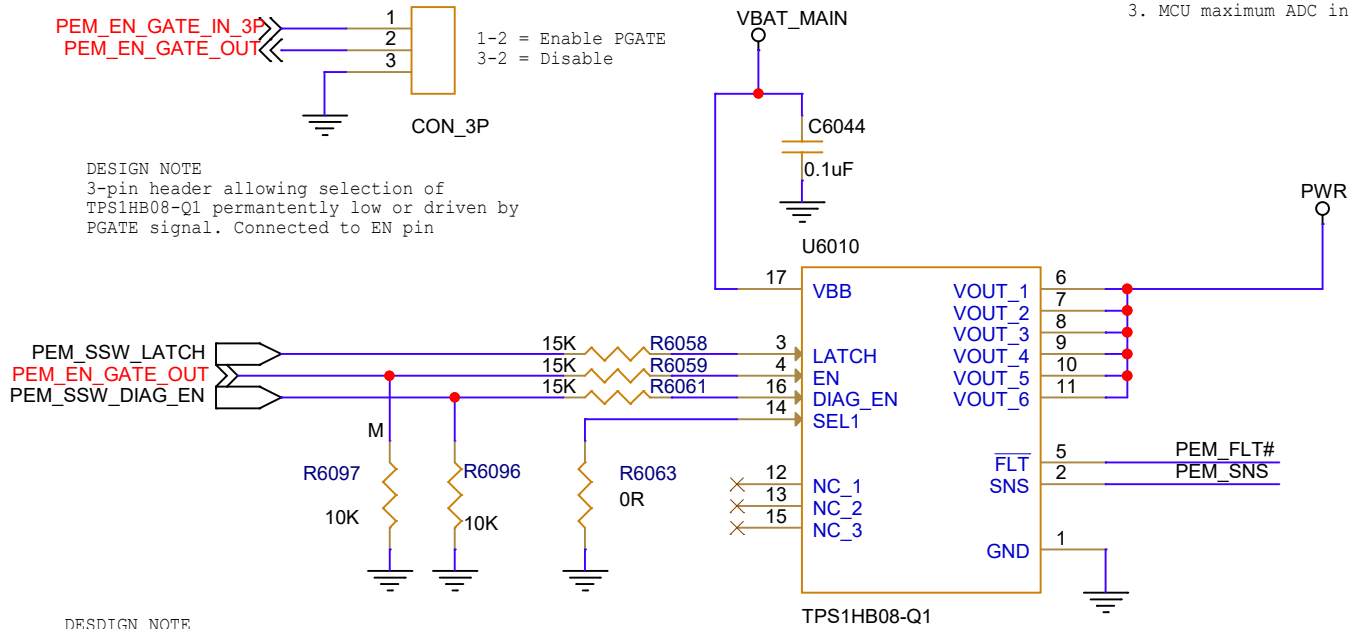
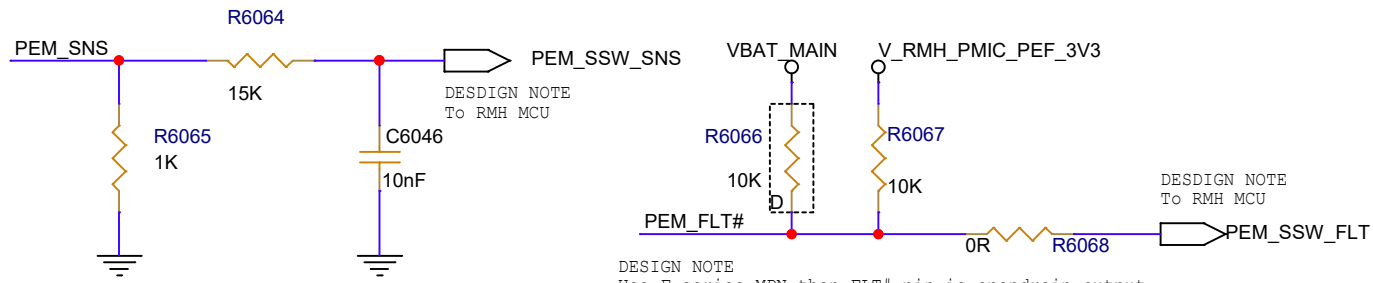


DESIGN NOTE
 3-pin header allowing selection of TPS1HB08-Q1 permanently low or driven by PGATE signal. Connected to EN pin

DESIGN NOTE
 1. USE to drive 12V/10A
 2. TPS1HB08FQPWRQ1 MPN
 3. MCU maximum ADC input range is 3.6v



DESIGN NOTE
 PEM_SSW_LATCH from RMH MCU GPIO pin
 PEM_SSW_DIAG_EN from RMH MCU GPIO pin



DESIGN NOTE
 Use F series MPN. then FLT# pin is opendrain output.
 Use A,B series MPN. then FLT#(ILIM) is output current setting pin.
 F - mount 0R & R4064 RES. demount R4068 resistor
 A&B - mount R4068 with correct value resistor, and demount 0R & R4064.