

Deglitch of IN2-IN1

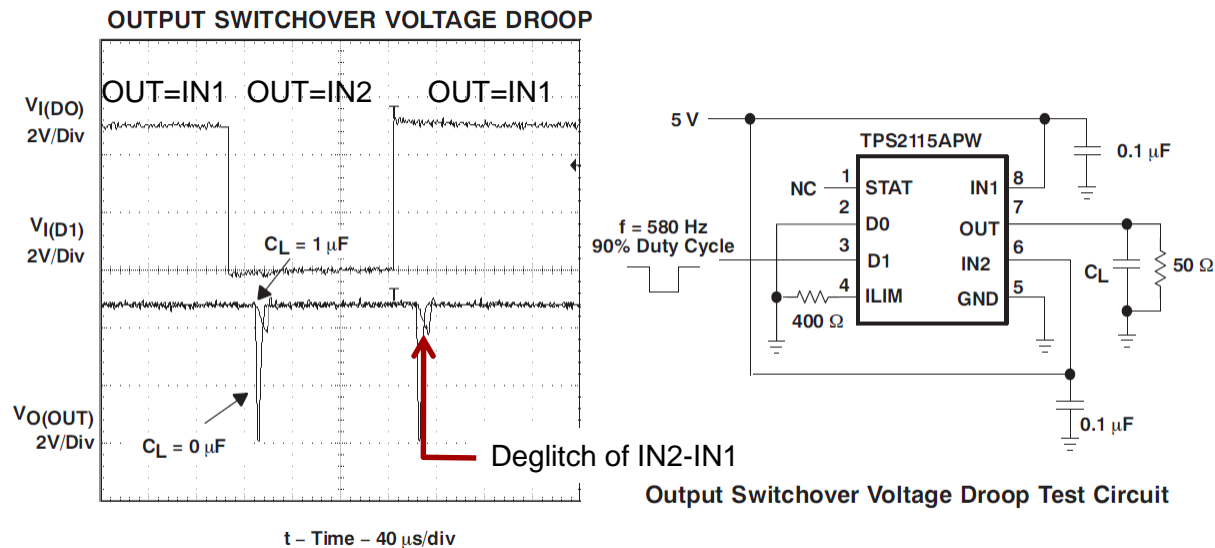


Figure 4.

IN2-IN1 COMPARATORS				
Hysteresis of IN2-IN1 comparator		0.1	0.2	V
Deglitch of IN2-IN1 comparator (both \uparrow & \downarrow)		10	20	50 μs