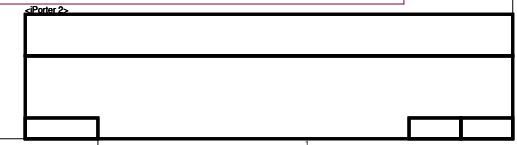
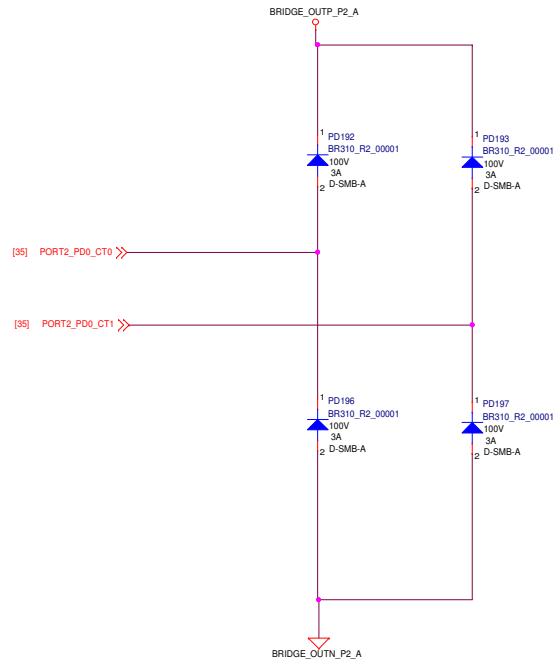


16. DETECT CLASS P2

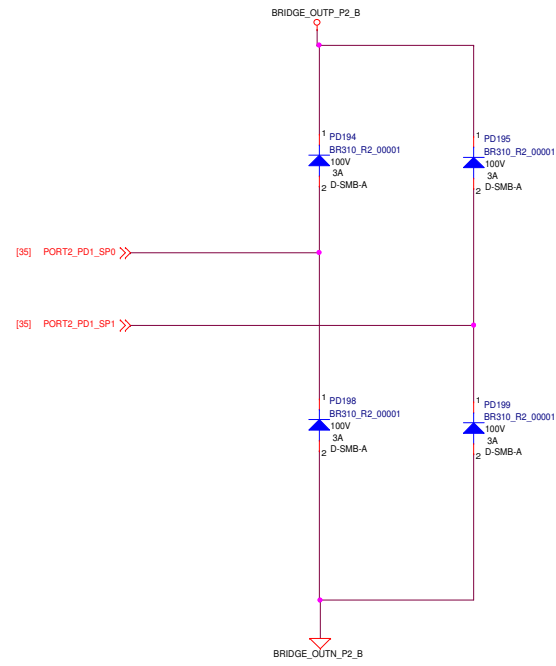


POE Input

PORT2_A



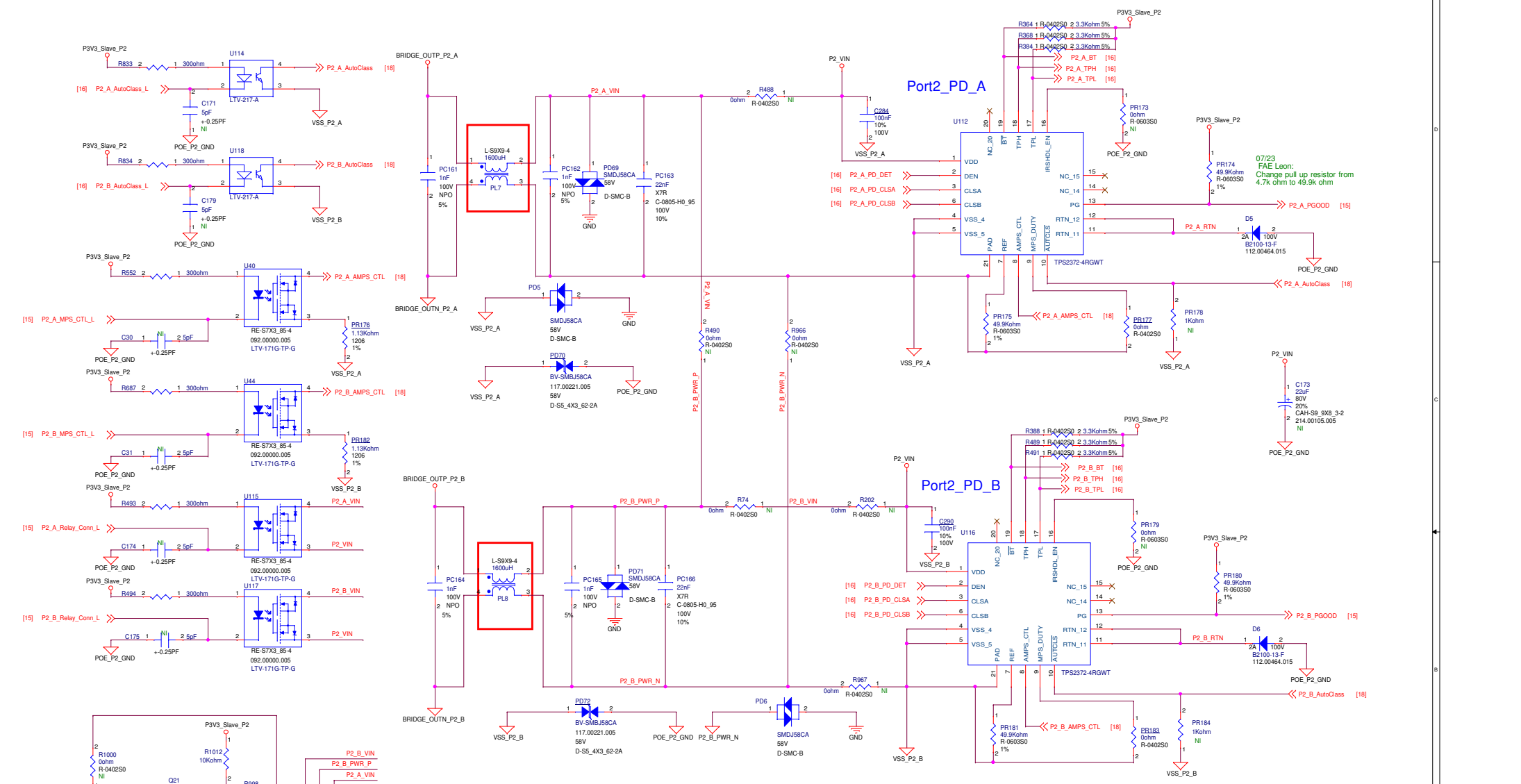
PORT2_B



12. Bridge DIODE_P2

18. PD P2

P*_{Relay_Single}
 0: Dual signature
 1: Single signature



Dual signature conn on/ off IO Table

	P* _{A_Relay_Conn_L}	P* _{B_Relay_Conn_L}	P* _{Relay_Single}
Conn 0,1	1	0	0
Conn 1,0	0	1	0
Conn on	0	0	0
Conn off	1	1	0

Single signature conn on/ off IO Table

	P* _{A_Relay_Conn_L}	P* _{B_Relay_Conn_L}	P* _{Relay_Single}
Conn on	0	1	1
Conn off	1	1	0

Default →

Default →

07/23
 FAE Leon:
 Change pull up resistor from
 4.7k ohm to 49.9k ohm