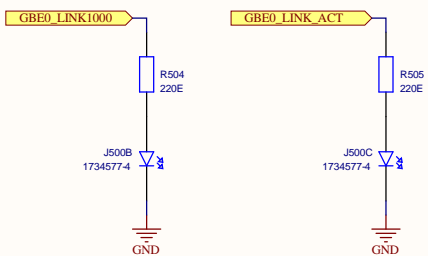
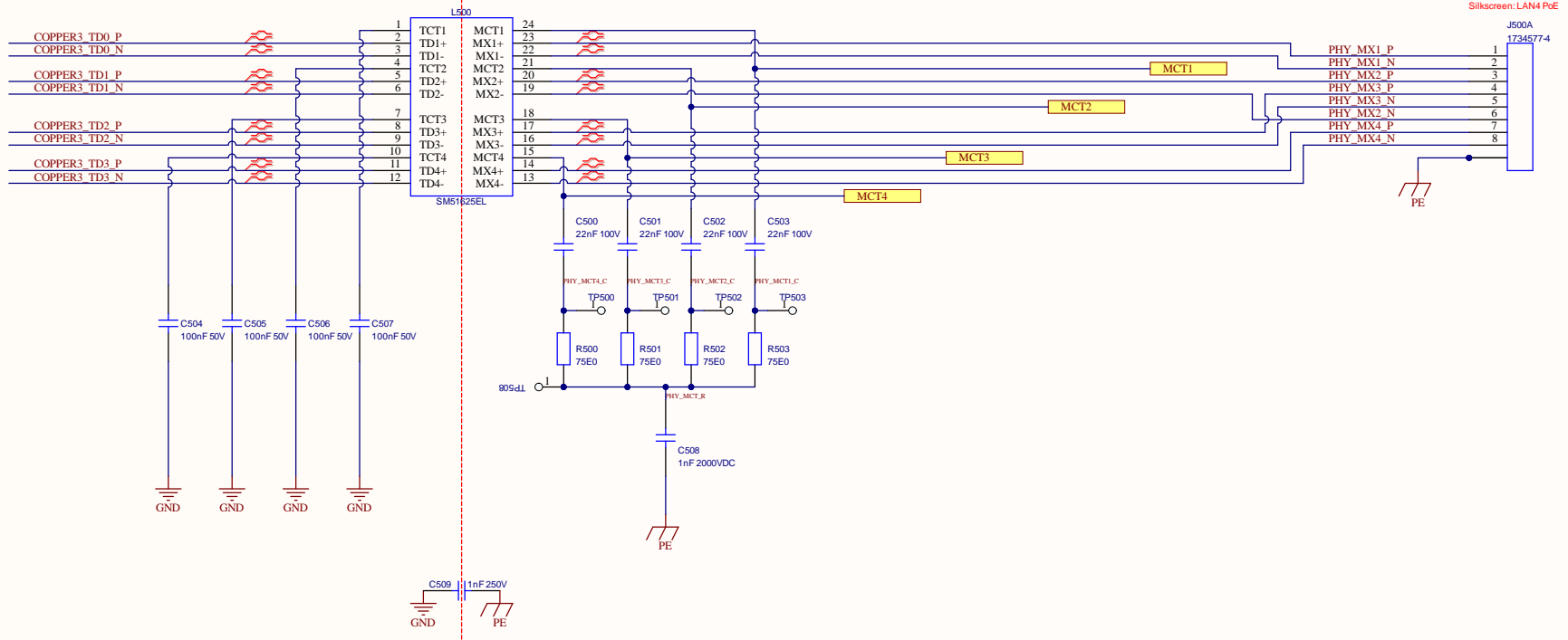
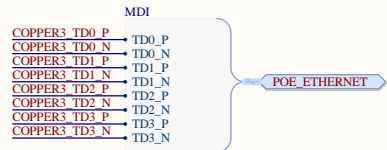


Ethernet



AME Applied Micro Electronics "AME" B.V.		www.ame.nl
Esp 100		Phone: +31(0)40-2646400
5633 AA Eindhoven		Fax: +31(0)40-2646419
Project: SCH6264220032R02.PjPcb	Part number: SCH626422003	
Title:	Revision: R01	
Size: A3	Sheet: 11 of 13	Engineer: RvD
Date: 02-07-2021	Drawn by: RvD	
File: [5] POE Ethernet.SchDoc	PCB design: ML	

