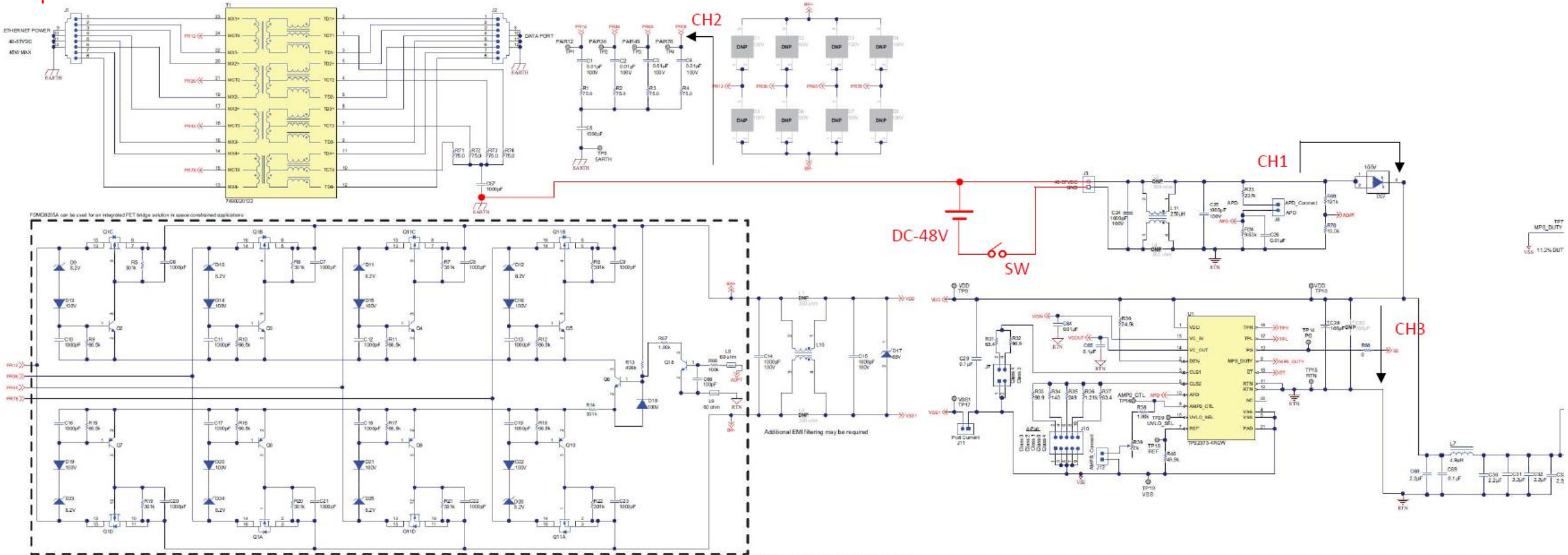
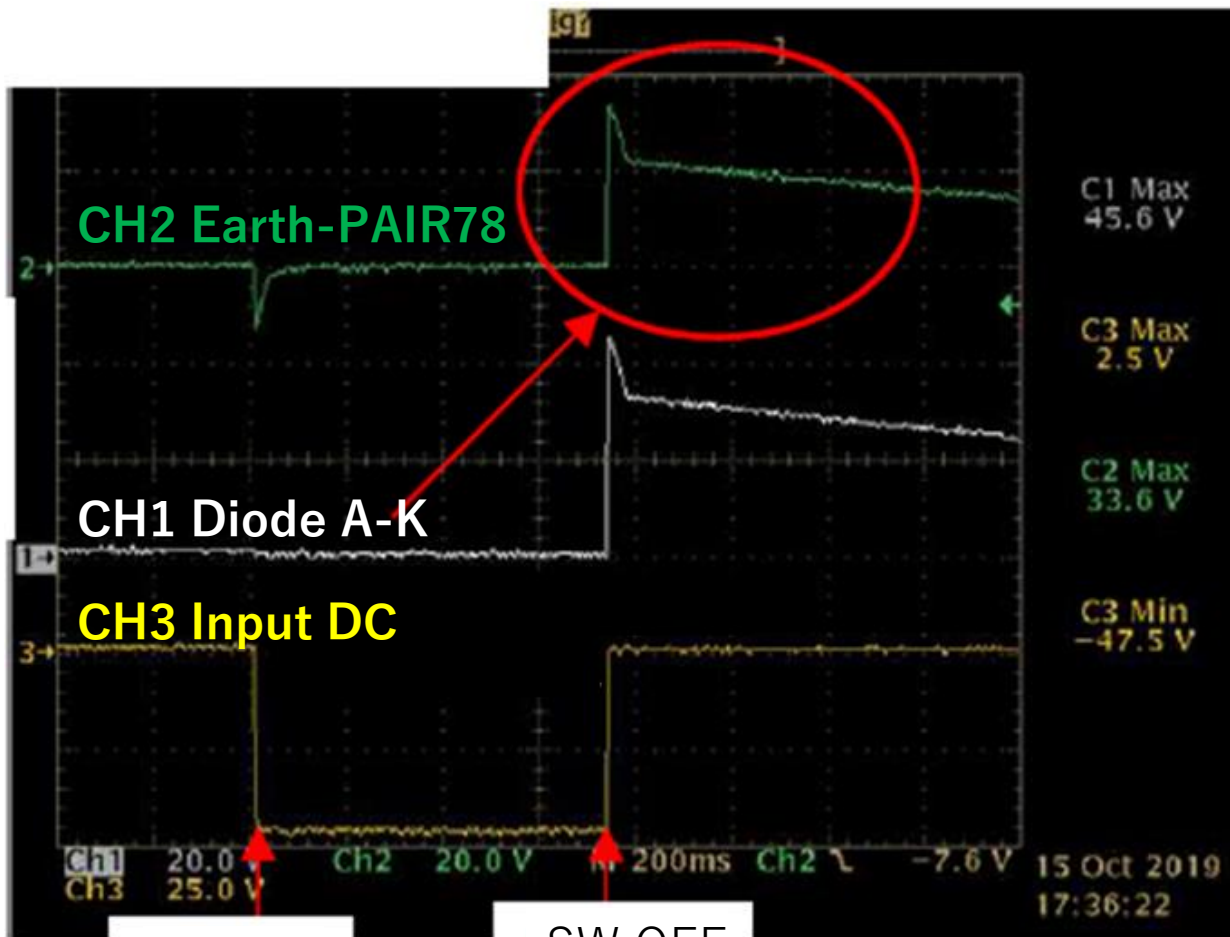


Earth the positive side of the DC ORing input and supply power as -48V. When the -48V line is turned off by SW, a transient voltage of about 33V is generated at the POE port with respect to the Earth. Is there a countermeasure for this transient voltage?

Open





Range Zoom

