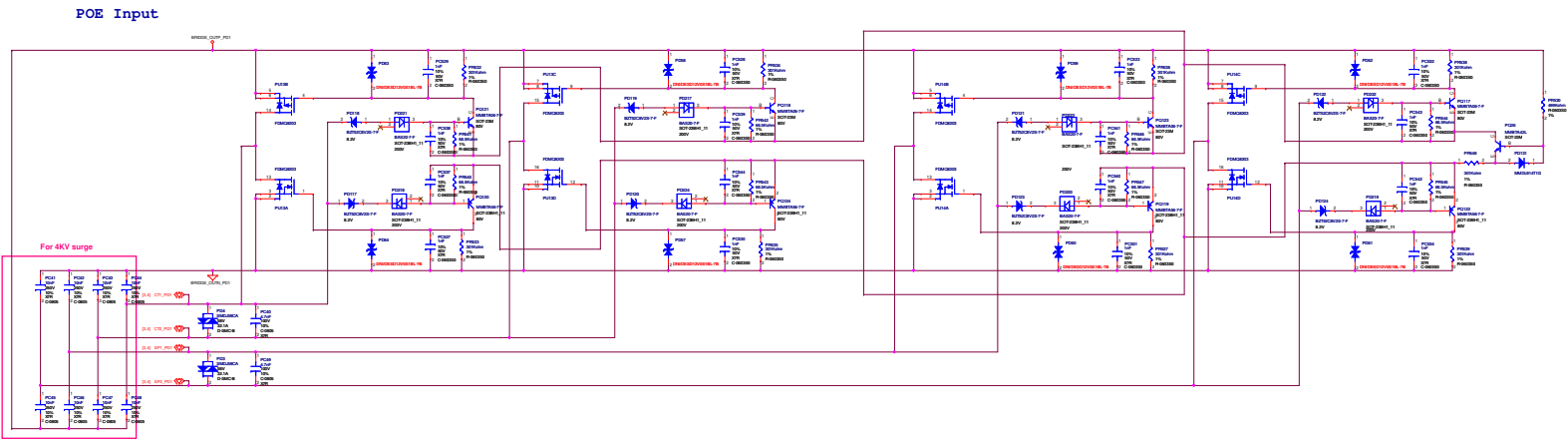
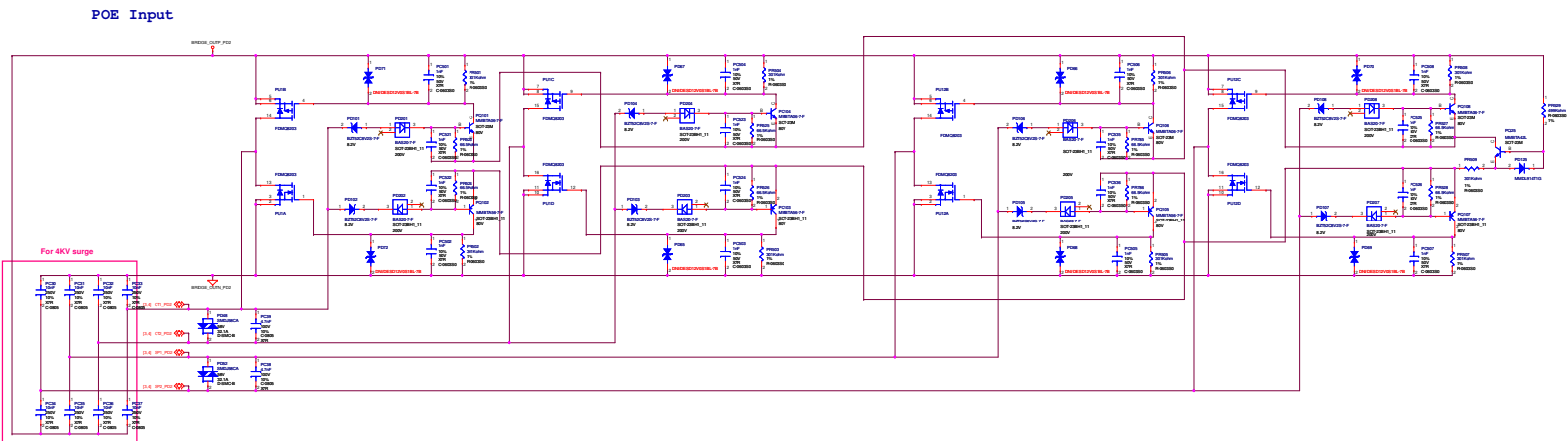


Bridge FEM PD1

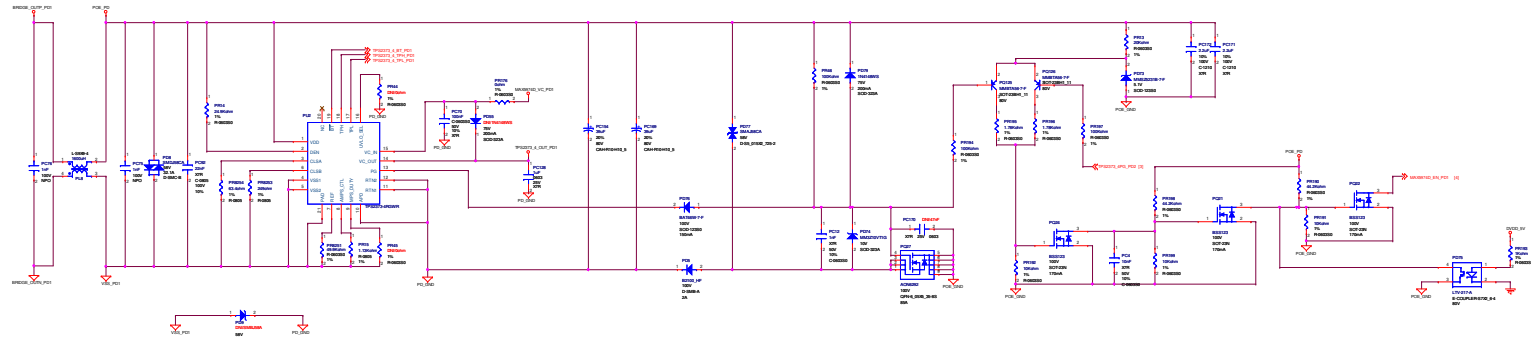
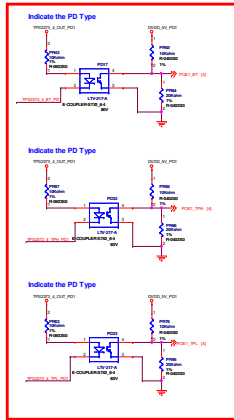


Bridge FEM PD2



PD1

GPIO connection



PD2

GPIO connection

