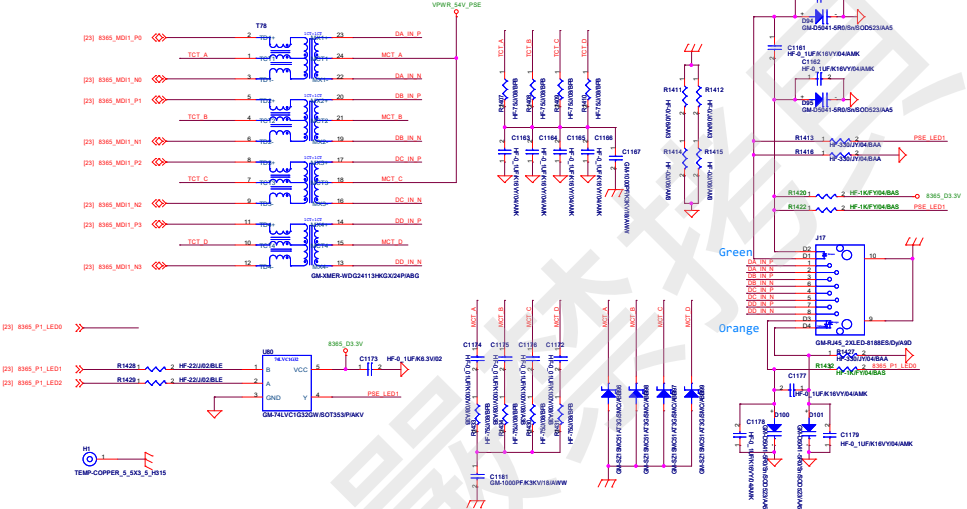
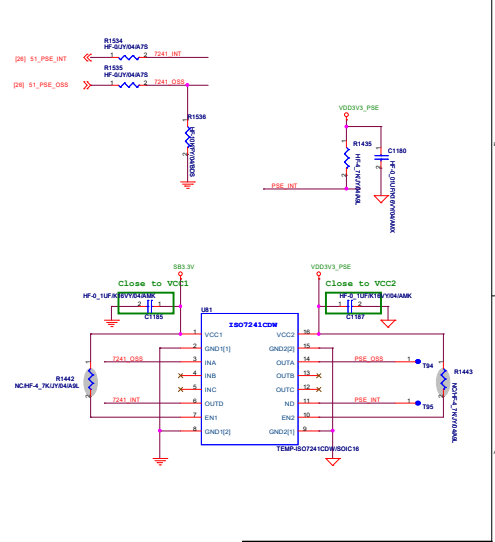
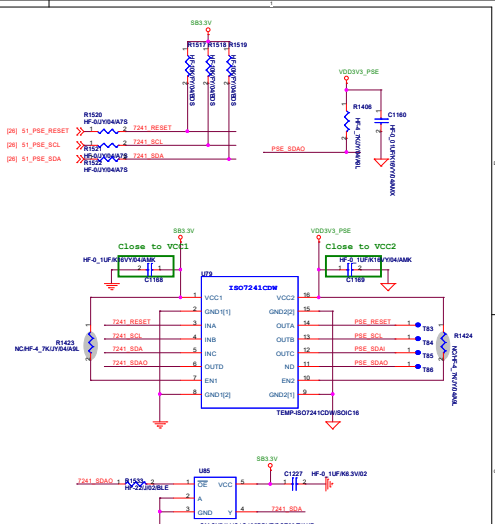
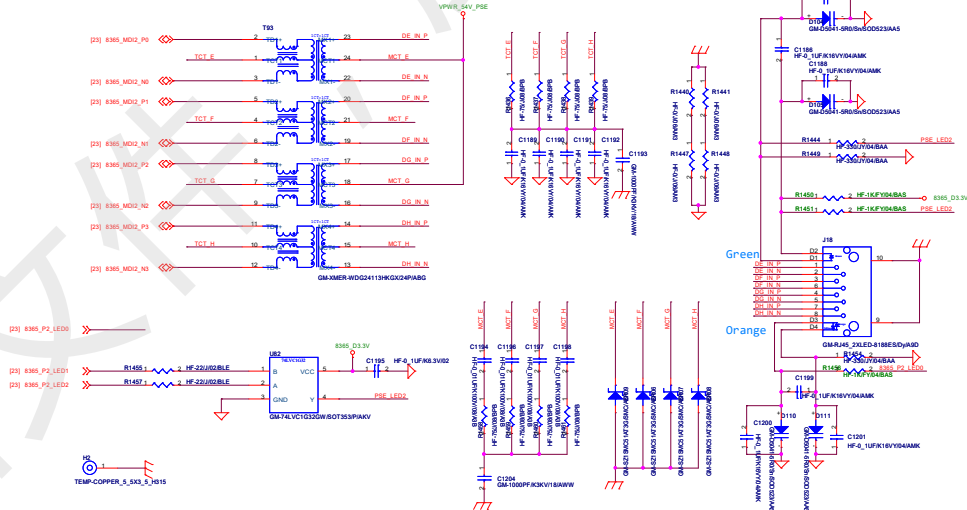


PSE Port1



PSE Port2



Rev	B31B
Doc No	IS1PSE+
Doc Date	2023.07.10