

[5,7,15,25] MICOM_M_DCDC_FREQ_CONTROL

[15,25] MICOM_USB_DCDC_PWR_EN

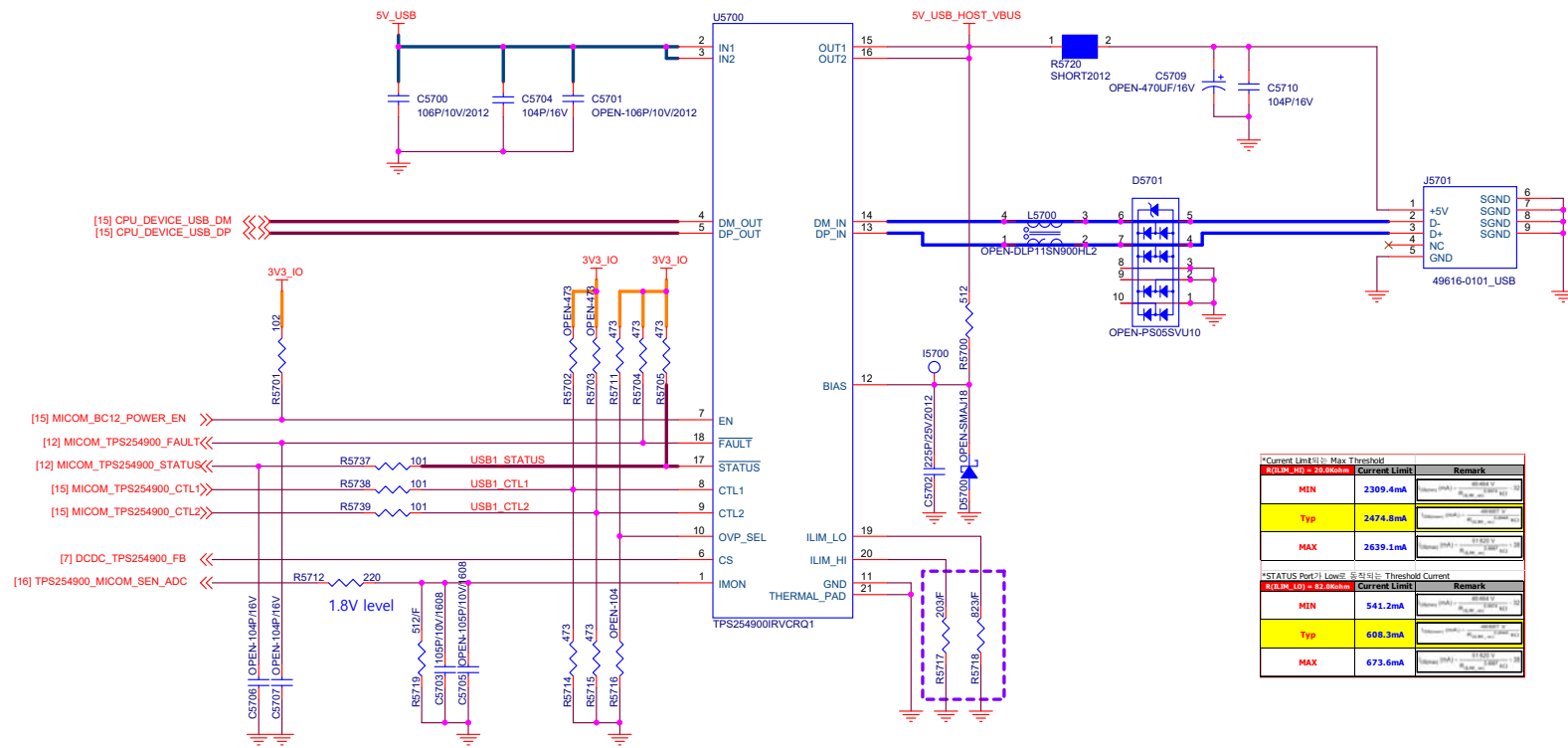
1 μ A Shutdown Current(VEN = 0 V, T_J = 25 °C, 4.0 V ≤ VIN ≤ 40 V)

$$R(FA) = (rDS(on) + R(WIRE)) / G(CS)$$

$$VOUT = VFB (1 + (R1 / R2)), VFB \text{ is } 0.75 \text{ V}$$

$$0.75 * (1 + (4.7K + 33K) / 6.8K) = 4.9V$$

DCDC_Standard_2017_V3



*Current Limit: Max Threshold

MIN	Typ	MAX	Current Limit	Remark
			2309.4mA	

*STATUS Port가 Low 동작되는 Threshold Current

MIN	Typ	MAX	Current Limit	Remark
			541.2mA	
			608.3mA	
			673.6mA	